



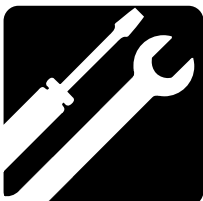
ASSEMBLY



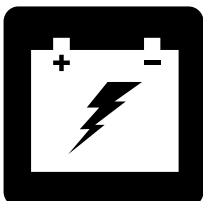
OPERATION



COMFORT



MAINTENANCE



BATTERY
CHARGING



FULL-SIZE SCOOTER SERIES

OWNER'S MANUAL

SCOOTER FEATURES TABLE

EN

Model	Console Style			Frame Style (Assembly/Disassembly)		Anti-tip wheels	Options ⁺			Main Circuit Breaker (Type)		
	A	B	C	1-piece frame	2-piece frame	Included	Hi-Low Switch	Handbrake	Suspension Seat Post	Reset Button	Reset Lever	Auto Reset
123			*	*				*		*		
124			*	*				*		*		
133			*	*				*		*		
134			*	*				*		*		
143			*	*				*		*		
144			*	*				*		*		
3120			*	*				*		*		
3130			*	*				*		*		
3140			*	*				*		*		
613	*				*	*	*	*	*	*		
614	*	*		*		*	*	*			*	*
713	*				*	*	*	*	*	*		
7132	*			*		*	*	*		*		
714	*			*		*	*	*			*	*
713ES	*			*		*	*	*		*		

**NOTE: Scooter options vary by country. Please contact your Provider to determine which options are available for your Scooter.*

NOTE: Please become familiar with your scooter's model number. The number can be found on the product specification sheet in your owner's package. Throughout this owner's manual, Scooter attributes are identified by model number (far left-hand column on Scooter Features Table). Knowing your unit's model number will aid you in determining your particular scooter's unique characteristics.

INTENDED USE

The intended use of this Pride Mobility Products device is to provide mobility assistance to persons with mobility impairment who have the capacity to operate a motorized mobility scooter in an indoor/outdoor environment.

REGARDING DEVICES FOR PRESCRIPTION USE

Our mobility products and their components are available for sale either as retail ("over-the-counter") or with a prescription. When prescribed, the following statement is applicable.



CAUTION! Federal law restricts this device to sale by or on the order of a physician or other certified personnel licensed by the law of the State (US only) or region in which this personnel practices to use or order the use of this device.

NOTE: This owner's manual is compiled from the latest specifications and product information available at the time of publication. We reserve the right to make changes as they become necessary. Any changes to our products may cause slight variations between the illustrations and explanations in this manual and the product you have purchased. The latest/current version of this manual is available on our website.

NOTE: This product is compliant with WEEE, RoHS, and REACH directives and requirements.

NOTE: This product complies with IPX4 Classification (IEC 60529).

NOTE: The scooter and its components are not made with natural rubber latex. Consult with the manufacturer regarding any after-market accessories.

CONTENTS

SAFETY GUIDELINES	3
I. SAFETY	4
II. YOUR SCOOTER	7
III. BATTERIES AND CHARGING	25
IV. OPERATION	34
V. COMFORT ADJUSTMENTS	36
VI. DISASSEMBLY AND ASSEMBLY	40
VII. BASIC TROUBLESHOOTING	42
VIII. CARE AND MAINTENANCE	44

SAFETY GUIDELINES



WARNING! An authorized Provider or qualified technician must perform the initial setup of this scooter and must perform all of the procedures in this manual.

The symbols below are used throughout this owner's manual and on the scooter to identify warnings and important information. It is very important for you to read them and understand them completely.



WARNING! Indicates a potentially hazardous condition/situation. Failure to follow designated procedures can cause either personal injury, component damage, or malfunction. On the product, this icon is represented as a black symbol on a yellow triangle with a black border.



MANDATORY! These actions should be performed as specified. Failure to perform mandatory actions can cause personal injury and/or equipment damage. On the product, this icon is represented as a white symbol on a blue dot with a white border.



PROHIBITED! These actions are prohibited. These actions should not be performed at any time or in any circumstances. Performing a prohibited action can cause personal injury and/or equipment damage. On the product, this icon is represented as a black symbol with a red circle and red slash.

I. SAFETY

PRODUCT SAFETY SYMBOLS

The symbols below are used on the scooter to identify warnings, mandatory actions, and prohibited actions. It is very important for you to read and understand them completely.

NOTE: There are more warnings identified and explained in the Consumer Safety Guide that is included with your scooter. Please become familiar with all the warnings and safety information found in the Consumer Safety Guide and refer to this resource often.



Read and follow the information in the owner's manual.



Manufactured in



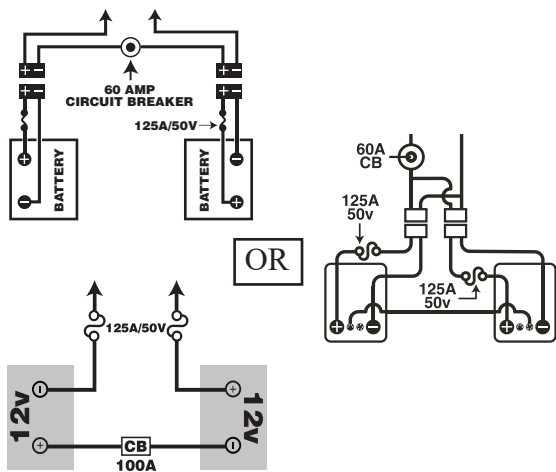
Indicates UNOCCUPIED scooter securement points.



Scooter information label



Does not meet ISO 7176-19 standards for occupied transport in a motor vehicle. When travelling in a motor vehicle, do not sit in your scooter.



Battery Set Configuration:
+ = Positive (Red) Terminal Post
- = Negative (Black) Terminal Post
Connect Red wires to Red Positive (+) Terminal Posts.
Connect Black wire to Black Negative (-) Terminal Posts.



Fully charge batteries before operating.

Remove key from an unattended Scooter.

I. SAFETY

GENERAL



MANDATORY! Do not operate your new scooter for the first time without completely reading and understanding this owner's manual and the Consumer Safety Guide.

Your scooter is a state-of-the-art life-enhancement device designed to increase mobility. We provide an extensive variety of products to best fit the individual needs of the scooter user. Please be aware that the final selection and purchasing decision regarding the type of scooter to be used is the responsibility of the scooter user, who is capable of making such a decision and his/her healthcare professional (i.e., medical doctor, physical therapist, etc.).

The contents of this manual are based on the expectation that a mobility device expert has properly fitted the scooter to the user and has assisted the prescribing healthcare professional and/or the authorized Provider in the instruction process for the use of the product.

There are certain situations, including some medical conditions, where the scooter user will need to practice operating the scooter in the presence of a trained attendant. A trained attendant can be defined as a family member or care professional specially trained in assisting a scooter user in various daily living activities.

As you begin using your scooter during daily activities, you will probably encounter situations in which you will need some practice. Simply take your time and you will soon be in full and confident control as you maneuver through doorways, on and off elevators, up and down ramps, and over moderate terrain.

Additional general information can be found on the supplemental information sheets and booklets included in your Owner's Package. Please fully read and review the information, and keep it readily available for future reference.

Below are some precautions, tips, and other safety considerations that will help you become accustomed to operating the scooter safely.

PRE-RIDE SAFETY CHECK

Get to know the feel of your scooter and its capabilities. We recommend that you perform a safety check before each use to make sure your scooter operates smoothly and safely.

Perform the following inspections prior to using your scooter:

- Check the condition of the tires. Make sure they are not damaged or excessively worn.
- Check all electrical connections. Make sure they are tight and not corroded.
- Check all harness connections. Make sure they are secured properly.
- Check the brakes to ensure they operate properly.
- Check the battery condition meter to ensure the batteries are fully charged.
- Ensure the manual freewheel lever is in drive mode before sitting on the scooter.
- Prior to riding your scooter, especially after storage, squeeze the handbrake lever fully five to seven (5-7) times to confirm proper function of the handbrake.

If you discover a problem, contact your authorized Provider for assistance. Please refer to the Contact Information insert in your Owner's Package.

I. SAFETY

BRAKING INFORMATION

Your scooter is equipped with these powerful brake systems:

- Regenerative: Uses electricity to rapidly slow the vehicle when the throttle control lever returns to the center/stop position.
- Disc Park Brake: Activates mechanically after regenerative braking slows the vehicle to near stop or when power is removed from the system for any reason.
- (Optional) Handbrake: This lever provides you with supplemental stopping power. See II. “Your Scooter.”

HANDBRAKE LEVER (IF EQUIPPED)

The handbrake lever contains hydraulic fluid. When the lever is depressed, the fluid is pushed through the brake line to engage the brake pads against the brake discs. The handbrake lever is a completely sealed unit, meaning that the hydraulic fluid should not leak; however, there are certain safety measures that should be taken if the handbrake lever becomes cracked or damaged.

- Do not touch spilled material unless wearing protective equipment, such as safety goggles and gloves.
- For small spills, cover the material with dry earth, sand or other non-combustible absorbent material. Once absorbed, enclose the material in a plastic bag and contact your local waste disposal agency for proper disposal measures. Do not expose the material to waterways or sewers.
- If the eyes are exposed, check for and remove contact lenses. Flush eyes with cool, clean, low-pressure water while occasionally lifting and lowering the eyelids. Seek medical attention if excessive tearing, redness or pain persists.
- If the skin is exposed, remove all contaminated clothing. Wipe off excess material and wash exposed skin with soap and water. Seek medical attention if skin appears damaged or if irritation persists. Thoroughly clean contaminated clothing before reuse. Discard contaminated leather goods.
- If ingested, do not induce vomiting or give anything to drink unless directed to by a physician. Never give anything by mouth to a person who is not fully conscious. Seek medical attention immediately.
- If inhaled, move the affected individual to fresh air. If the affected individual is not breathing, immediately begin rescue breathing. If breathing is difficult, 100% humidified oxygen should be administered by a qualified individual. Seek medical attention immediately and keep the affected individual warm and at rest.
- If ignited, use dry chemical, foam, carbon dioxide or water fog to extinguish.

WARNING! Do not modify the handbrake lever or attempt to replace the hydraulic fluid. If damage occurs, follow the safety information in this section and contact your authorized provider for handbrake replacement. The hydraulic handbrake should only be serviced or replaced by your authorized provider.



WARNING! The handbrake contains hydraulic fluid that can cause mild skin, eye and nasal/bronchial irritation. Do not attempt to adjust or service the handbrake without proper protective equipment such as safety goggles and gloves, and wash hands after handling.

II. YOUR SCOOTER

TILLER CONSOLE

The tiller console houses all of the controls needed to drive your scooter, including the speed adjustment dial, key switch, battery condition meter, status LED, horn buttons, turn signal buttons, handbrake lever, tiller adjustment lever, and the throttle control lever. Please note that some of the features listed in this section are optional items and may not appear on your scooter. See figure 1.

NOTE: If your scooter is equipped with an LCD Control Panel, please advance to the page in this section that begins **TILLER CONSOLE: LCD CONTROL PANEL**.

NOTE: If your scooter is equipped with an optional handbrake, please advance to the page in this section that begins **TILLER CONSOLE: HANDBRAKE LEVER**.



PROHIBITED! Do not expose the tiller console to moisture. In the event that the tiller console does become exposed to moisture, do not attempt to operate your scooter until the tiller console has dried thoroughly.

IDENTIFICATION KEY

- | | |
|------------------------------|------------------------------|
| 1. HORN BUTTON | 8. SPEED ADJUSTMENT DIAL |
| 2. *LEFT TURN SIGNAL BUTTON | 9. BATTERY CONDITION METER |
| 3. *HAZARD LIGHTS SWITCH | 10. KEY SWITCH |
| 4. LIGHT SWITCH | 11. MIRROR AND MIRROR PLUGS |
| 5. *RIGHT TURN SIGNAL BUTTON | 12. *TILLER ADJUSTMENT LEVER |
| 6. *HI-LOW SWITCH | 13. *HANDBRAKE LEVER |
| 7. THROTTLE CONTROL LEVER | 14. *BRAKE LOCK |

*OPTIONAL COMPONENTS AVAILABLE ON SOME MODELS

**LOCATION OF HI-LOW SWITCH MAY VARY DEPENDING ON MODEL **

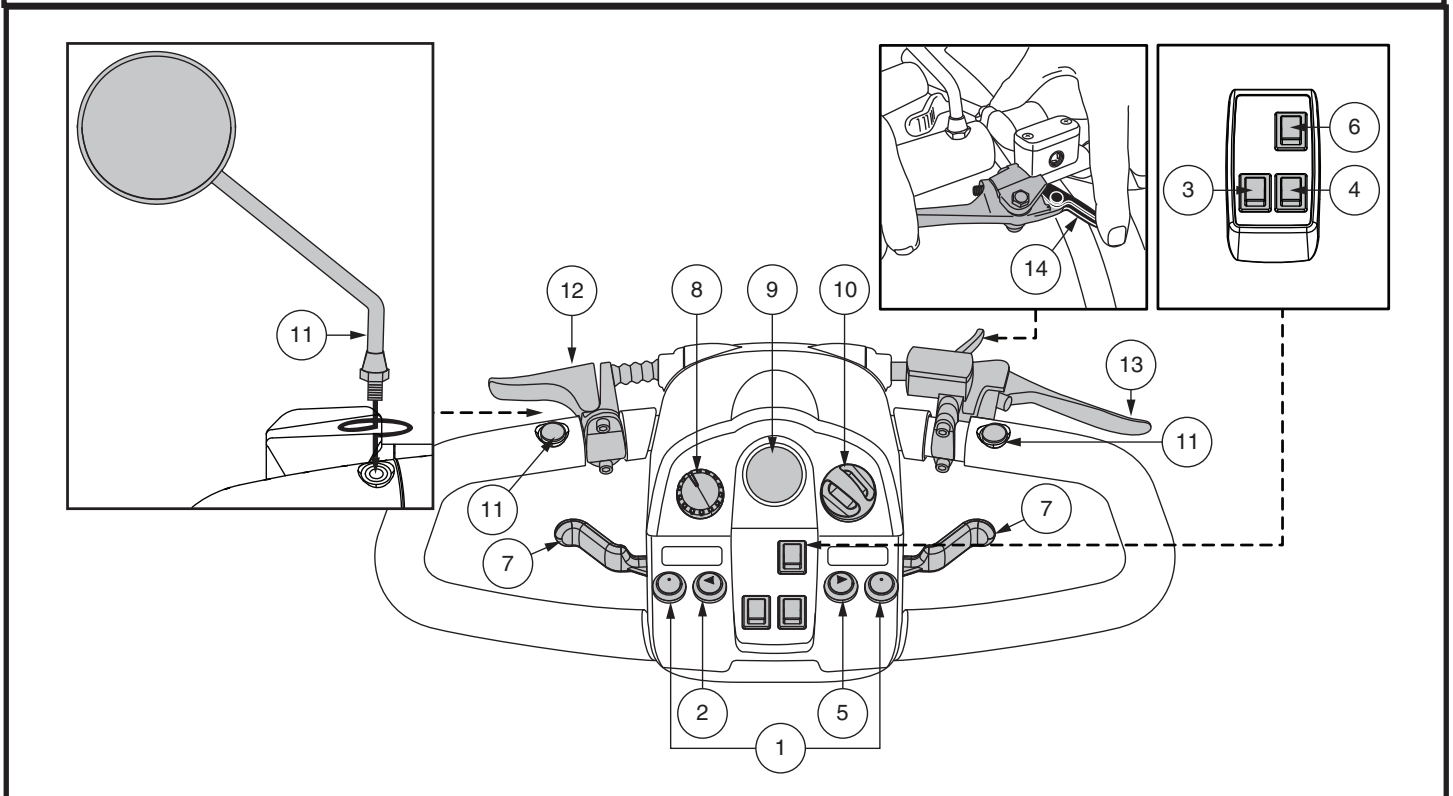


Figure 1. Tiller Console Components - Style A

II. YOUR SCOOTER

Horn Buttons

These buttons activate a warning horn. Your scooter must be powered up for the horn to be operational. Do not hesitate to use the warning horn when doing so may prevent accident or injury.

Turn Signal Buttons

Use these buttons to turn on the left and right turn signal (amber) lights.

- Push the left button to activate the left turn signal light. The turn signal LED located in the battery condition meter will flash.
- Push the right button to activate the right turn signal light. The turn signal LED located in the battery condition meter will flash.
- The turn signals are timed to shut off automatically.

Lights Switch

This switch controls your scooter's lighting system.

- Toggle the switch forward to turn on the lighting system.
- Toggle the switch rearward to turn off the lighting system.



WARNING! Scooter users are required to use their lights when visibility is restricted—day or night.

Hazard Lights Switch

This switch activates the 4-way flashers on your scooter.

- Toggle the hazard lights switch forward to turn on the flashers.
- Toggle the hazard lights switch rearward to turn off the flashers.

Hi-Low Switch

This switch toggles the scooter's speed between Hi and Low. Toggle the switch forward (Hi) to achieve the maximum preprogrammed speed for the scooter. Toggle the switch rearward (Low) to achieve half the maximum preprogrammed speed of the scooter.

Throttle Control Lever

This lever allows you to control the forward speed and the reverse speed of your scooter up to the maximum speed you preset with the speed adjustment dial.

NOTE: The throttle control lever operation instructions outlined below apply to scooters in a standard configuration. If the programming of your scooter was modified in any way by an authorized provider, contact that provider for correct throttle control level operation instructions.

To Move Forward, use either of the following:

- Use your left thumb to push the left side of the throttle control lever.
- Use your right hand fingers to pull back on the right side of the throttle control lever.

To Move Rearward, use either of the following:

- Use your right thumb to push the right side of the throttle control lever.
- Use your left hand fingers to pull back on the left side of the throttle control lever.

Release the throttle control lever and allow your scooter to come to a complete stop before engaging the other side of the lever. When the throttle control lever is completely released, it automatically returns to the center “stop” position and engages your scooter's brakes.

Speed Adjustment Dial

This dial allows you to preselect and limit your scooter's top speed.

- The image of the **tortoise** represents the slowest speed setting
- The image of the **hare** represents the fastest speed setting.

II. YOUR SCOOTER

Battery Condition Meter

When the key is fully inserted and turned clockwise to power up your scooter, this meter indicates the approximate battery voltage strength. For further information on battery charging, see III. “Batteries and Charging.”

Status LED

The status LED alerts you to electrical problems that may occur with the scooter. The LED remains constantly lit while your scooter is on. If your scooter develops an electrical problem, the status LED will flash a code. See VII. “Basic Troubleshooting” for flash codes.

Key Switch

- Insert the key into the key switch and turn it clockwise to power up (turn on) your scooter.
- Turn the key counterclockwise to power down (turn off) your scooter.



WARNING! When faced with an emergency situation, switch off the key to power off the scooter. Use caution. Be advised that turning off power to the scooter may cause the scooter to stop abruptly. To release the emergency stop and restore driving capability to the scooter, release the throttle control lever and then switch on the key to the scooter.

WARNING! If the key is turned to the “off” position while your scooter is in motion, the electronic brakes will engage and your scooter will come to an abrupt stop.

Mirror Positioning and Adjustment

For information on positioning and adjusting your mirror, see V. “Comfort Adjustments.”

Tiller Angle Adjustment

For information on positioning and adjusting your tiller, see V. “Comfort Adjustments.”

Handbrake Lever

This lever provides you with supplemental stopping power. When in motion, release the throttle control lever and gently squeeze the handbrake lever to come to a stop. Handbrake effectiveness can be modified by tightening or loosening the setscrew located on the handbrake lever.



WARNING! The handbrake is intended for use as a supplemental braking.

Off-board Charger Port

The off-board charger power cord plugs into this port during battery charging. The off-board charger port is located on the tiller. See figure 2.

Electrical System Fuses

Your scooter is equipped with a series of electrical system fuses, which help protect the off-board charging system, key switch and lighting system from receiving an overload of electrical current. These fuses are the same type used in automobiles and are located in a compartment on the tiller. See figure 2. See VIII. “Care and Maintenance” for fuse replacement.

NOTE: Keep all electrical areas clean and free of moisture and foreign material.

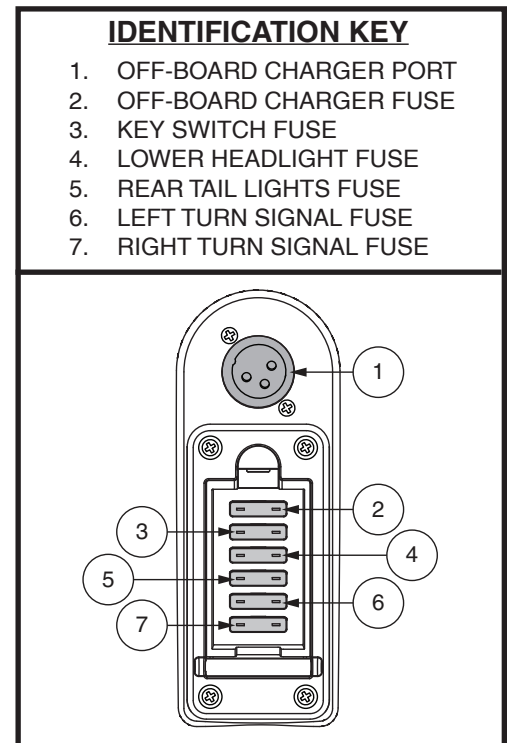


Figure 2. Off-board Charger Port/Tiller Console Fuses

II. YOUR SCOOTER

Tiller Console: Handbrake Lever

Your scooter is equipped with a handbrake lever which is located on the tiller handle. See figure 1 and figure 7. This lever provides you with additional stopping power. The handbrake is manual and operates independently of your scooter's regenerative braking system which is engaged during operation of the scooter by releasing the throttle control lever.

To operate the handbrake lever:

1. Release the throttle control lever fully.
2. Gently squeeze the handbrake lever to bring your scooter to a complete stop.

NOTE: You must release the throttle control lever before squeezing the handbrake lever. Otherwise, your scooter may not come to a complete stop.

NOTE: The handbrake lever may require periodic adjustment to maintain proper operation. Adjustment should only be performed by your authorized provider or other qualified technician. Contact your authorized provider for more information.

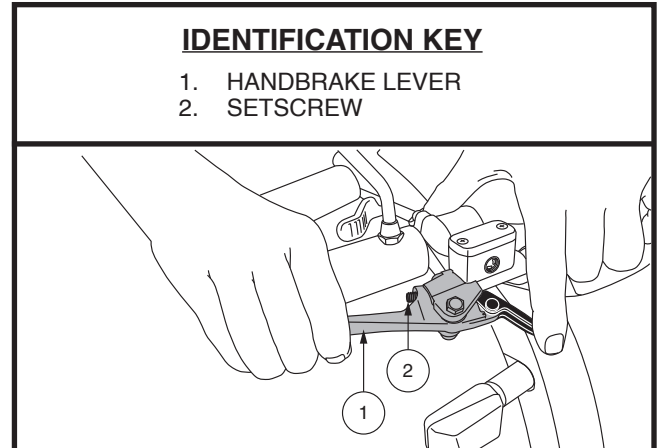


Figure 3. Handbrake Lever

NOTE: Handbrake effectiveness, which is how quickly the squeezing of the handbrake lever will bring your scooter to a stop, can be modified by tightening or loosening the setscrew located on the handbrake lever. See figure 3.

NOTE: If your handbrake is equipped with a lock function as shown in figure 1 or figure 7, you can activate the brake lock function by squeezing the handbrake lever and rotating or pushing the lock lever to engage the lock. To release the handbrake lock, fully squeeze the handbrake lever. See figure 1 or figure 7.

NOTE: If your handbrake contains hydraulic fluid, do not attempt to modify or replace the handbrake lever or the hydraulic fluid.

NOTE: Prior to riding your scooter, especially after storage, squeeze the handbrake lever fully five to seven (5-7) times to confirm proper function of the handbrake.

WARNING! The hydraulic fluid can cause mild skin, eye, and nasal/bronchial irritation. If damage occurs, contact your authorized provider for handbrake replacement. The hydraulic handbrake should only be serviced or replaced by your authorized provider.



WARNING! The handbrake is intended for use as a supplemental braking system to the throttle controlled regenerative braking system, or to help bring the scooter to a stop in the event that the regenerative braking system does not engage. The handbrake is not intended for use as the primary braking system. Misuse or improper use of the handbrake may result in a crash, a fall, personal/property injury, or death.

II. YOUR SCOOTER

TILLER CONSOLE: LCD CONTROL PANEL

The tiller console and lower tiller house all of the controls needed to drive your scooter, including the LCD control panel, throttle control levers, key switch, and the throttle control lever switch. See figure 4.



PROHIBITED! Do not expose the tiller console to moisture. In the event that the tiller console does become exposed to moisture, do not attempt to operate your scooter until the tiller console has dried thoroughly.

NOTE: Not all options are available on all styles of consoles with LCD displays.

Horn Buttons

These buttons activate a warning horn. Your scooter must be powered up for the horn to be operational. Do not hesitate to use the warning horn when doing so may prevent accident or injury.

Turn Signal Buttons

- Press the appropriate turn signal button once to activate it. The turn signal will flash on the LCD screen.
- Press the same signal button to turn it off.

NOTE: The turn signals are timed to shut off after 15 seconds. A warning beep will sound as long as the turn signal is on. See figure 5 for volume control.

Lights Button

- Press the lights button once to activate the lighting system. The light symbol will be shown on the LCD screen.
- Press the lights button again to turn the lighting system off.



WARNING! Scooter users are required to use their lights when visibility is restricted—day or night.

LCD Screen and Control Panel Settings

The LCD control panel offers easily intuited feedback information via the LCD screen. See figure 4. The LCD screen is also used during the set-up (activation) of the various control panel settings.

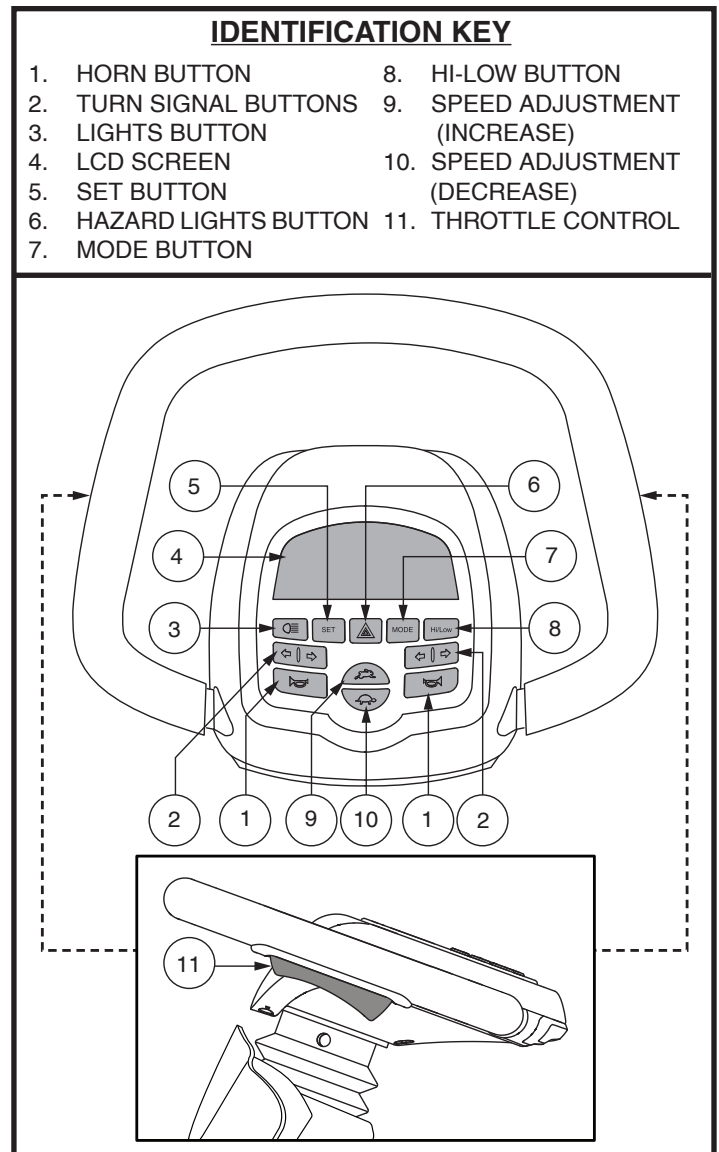


Figure 4. LCD Control Panel - Style B

II. YOUR SCOOTER

Hazard Lights Button

This button activates the 4-way yellow flashers on your scooter.

- Press the button once to turn on the flashers.
- Press the button again to turn off the flashers.

NOTE: The 4-way flashers will flash and a warning beep will sound as long as the hazard lights are on. See figure 6 for volume control.

Mode Button

Use the mode button to scroll between the odometer, tripometer, temperature, and clock (Style B) and odometer, tripometer, clock and brightness display (Style C).

High-Low Button

This button toggles the scooter's speed between HIGH and LOW.

- Press the High-Low button once to set the speed adjustment to High. The High-Low indicator will display on the LCD screen. **See figure 5.** Using this setting in conjunction with the speed adjustment buttons will allow the scooter to achieve speeds up to the maximum preprogrammed speed for the scooter.
- Press the High-Low button again to set the speed adjustment to Low. The High-Low indicator will not display on the LCD screen. Using this setting in conjunction with the speed adjustment buttons will allow the scooter to achieve speeds up to the half the maximum preprogrammed speed for the scooter.

Speed Adjustment Buttons

These adjustment buttons enable you to pre-select and limit your scooter's speed. This is indicated by the maximum speed indicator on the LCD screen. **See figure 5.**

- Press the image of the **tortoise** to decrease the speed of the scooter.
- Press the image of the **hare** to increase the speed of the scooter.

NOTE: The more bars shown on the maximum speed indicator, the faster your pre-selected maximum speed will be. See figure 5.

Throttle Control Levers

These levers allow you to control the forward speed and the reverse speed of your scooter up to the maximum speed you preset with the speed adjustment buttons. A throttle control lever is located on the underside of the left and right side of the tiller handle. **See Figure 4.**

To Move Forward:

- Squeeze the rear part of the throttle control lever.

To Move Rearward:

- Squeeze the front part of the throttle control lever.

Release the throttle control lever and allow your scooter to come to a complete stop before engaging the other side of the lever. When the throttle control lever is completely released, it automatically returns to the center "stop" position and engages your scooter's brakes.

II. YOUR SCOOTER

LCD SCREEN AND CONTROL PANEL SETTINGS

The LCD control panel offers easily intuited feedback information via the LCD screen. See figure 5. The LCD screen may also be used during the set-up (activation) of the various control panel settings. See chart 1.

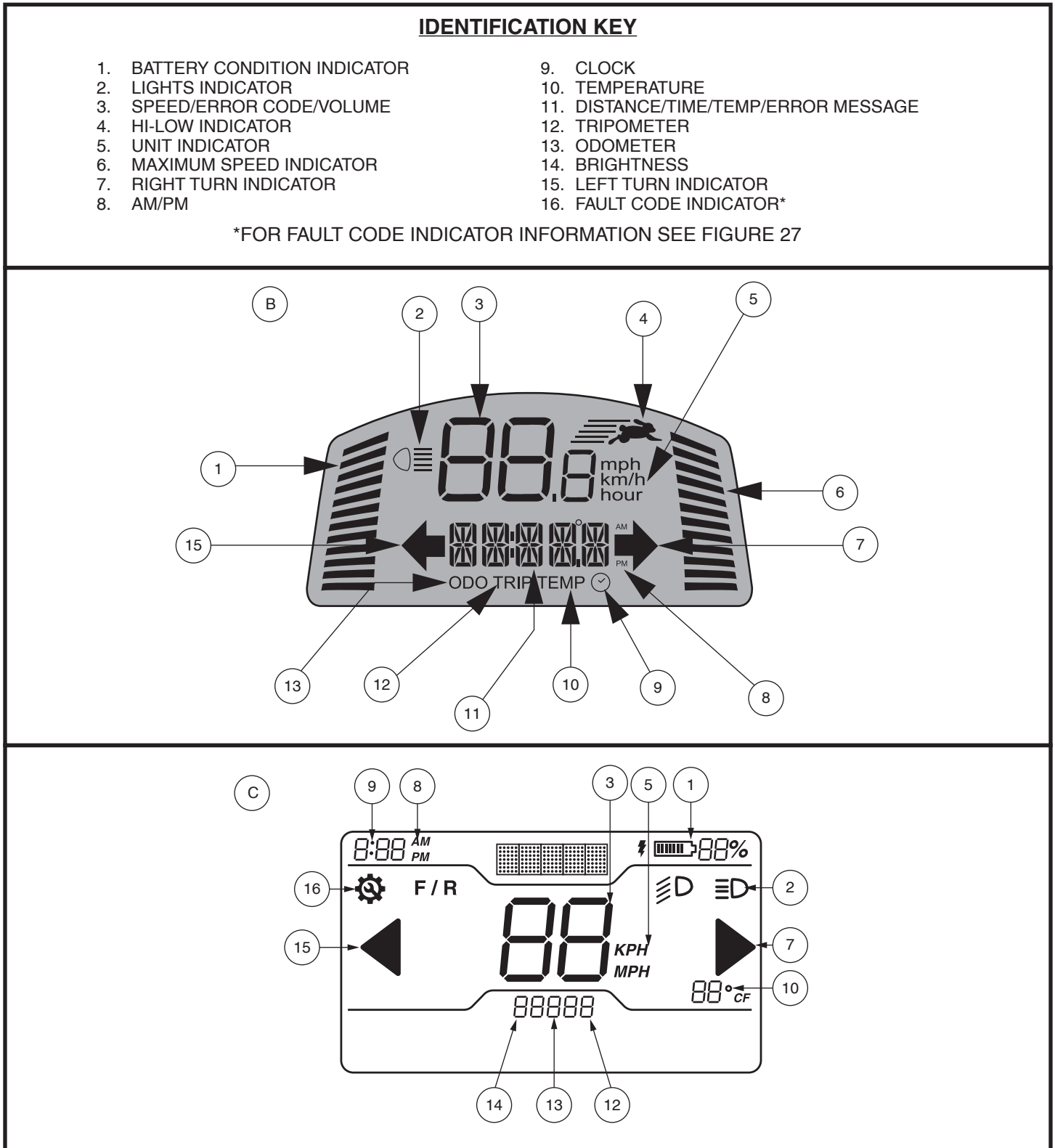


Figure 5. LCD Screen - Console Style B (Top) and Console Style C (Bottom)

II. YOUR SCOOTER

EN


SETTING INFORMATION CHART		
SETTING	CODE	INFORMATION
Odometer	ODO	Measures mph, km/h, and hours of use. Also displays total distance traveled over life of scooter. (Cannot be reset.)
Tripometer	TRIP	Displays trip distance traveled. Can be reset to "0".
Temperature	TEMP	Displays current temperature in °F or °C.
Clock		Displays time in 12-hour (AM/PM) or 24-hour.
Brightness (style C Only)	000	Allows user to alternate between levels of brightness for LCD Screen.

Chart 1. LCD Control Panel Information

Press **MODE** until the setting you want to change appears on the LCD screen. Press and hold **SET** then follow the steps corresponding to your setting in **chart 2**.


SETTING	ODO	TRIP	TEMP	
OPERATION	Press the MODE button until ODO option appears.	Press the MODE button until TRIP option appears.	Press the MODE button until TEMP option appears.	Press and hold MODE button until the clock symbol appears on screen.
SELECTION	Press and hold SET , then simultaneously press the MODE button until the setting option flashes. Scroll through the options by pressing the SET button.	Press and hold SET , then simultaneously press the MODE button for 2 seconds and release. Press and hold SET until Tripometer resets to 0.0.	Press and hold SET , then simultaneously press the MODE button until the setting option flashes. Scroll through the options (°F or °C) by pressing SET button.	Press and hold SET , then simultaneously press the MODE button until the hour digit flashes. Use the SET button to increase the hour to the correct number. Continue to use the MODE and SET buttons to program the minutes and AM/PM setting.
EXIT	When desired option flashes, press any button except SET to exit.	Press any button except SET to exit.	When your choice is flashing, press any button except SET to exit.	Press any button except MODE or SET to exit.

Chart 2. LCD Control Panel Information - Style B

II. YOUR SCOOTER


SETTING	TRIP	BRIGHTNESS	UNIT OF MEASURE	
OPERATION	Press the MODE button until TRIP option appears.	Press the MODE button until 000 option appears.	Press and hold the MODE button until ODO option appears.	Press MODE button until the ODO symbol appears on screen.
SELECTION	Press and hold MODE until Tripometer resets to 0.0.	Press and hold the MODE button until 000 flashes. Press MODE to toggle between LCD Screen brightness settings (100%, 75%, 50%) until desired brightness is reached.	Press and hold until Distance/ Temperature flashes. Scroll through the options (°F or °C/Miles or Kilometers) by pressing MODE button.	Press and hold the MODE button once (1) for unit of measure. Press and Hold MODE twice (2) to switch between AM/PM by pressing MODE button. Press and hold the MODE button a third (3) time to set the hour by pressing the MODE button before pressing and holding the MODE button a fourth (4) time to adjust and set the minute by pressing the MODE button.
EXIT	N/A	Press and hold MODE button to exit.	Press and hold the MODE button to move to Time Settings.	Press and hold the MODE button to exit.

Chart 3. LCD Control Panel Information - Style C

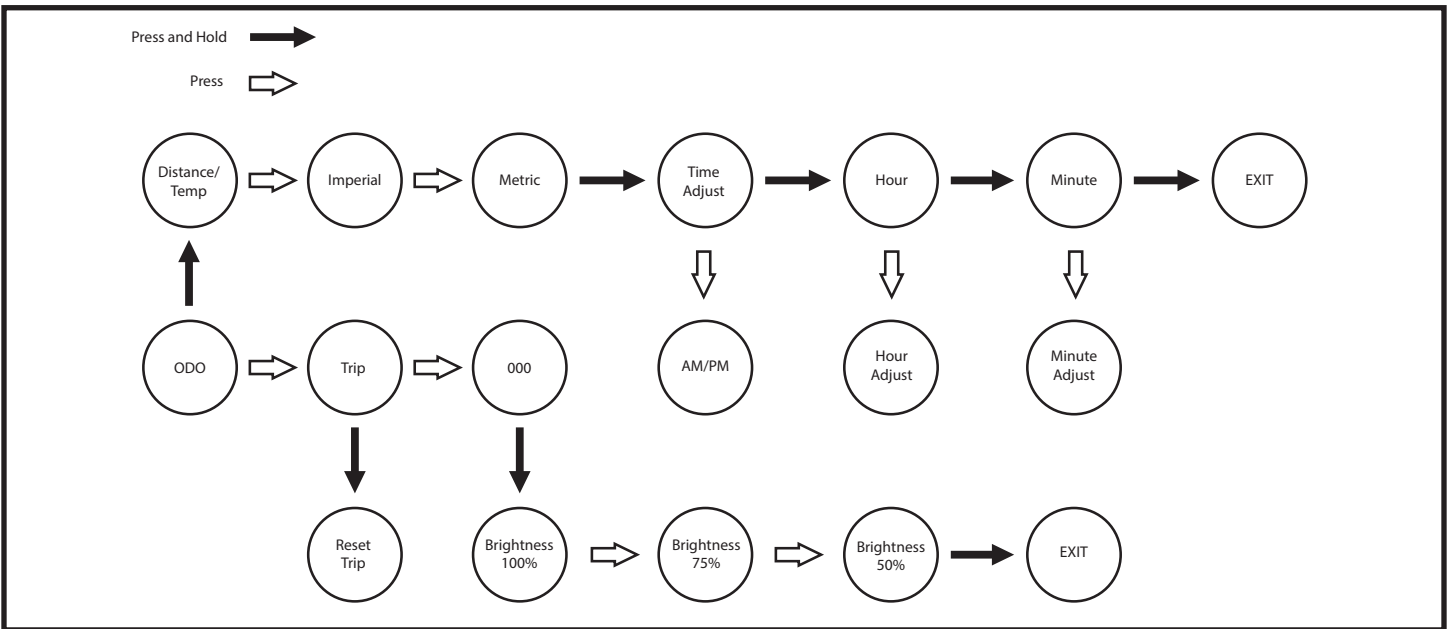


Chart 4. LCD Control Panel Information - Style C - Flowchart

Battery Charging Mode

During battery charging, the console will display the clock and the battery condition indicator.

Battery Condition Indicator

When the key is turned to the “on” position, this indicator gives an approximate reading of battery strength. When the scooter’s battery voltage reaches a low enough level, a warning beep will sound once, indicating the batteries need charging. The warning beep will not sound again until the scooter is restarted or the throttle control lever is pressed.

Mode Button

Use the mode button to scroll between the odometer, tripometer, temperature, and clock (Style B) and odometer, tripometer, clock and brightness display (Style C). See Figure 7. Through a series of presses and holds, you can change the settings on your console. See Chart 3 for more information.

II. YOUR SCOOTER

Maximum Speed Indicator

The maximum speed indicator displays the maximum speed selected with the speed adjustment buttons. The more bars that are lit, the faster the speed. The maximum scooter speed will be determined by the HIGH-LOW setting, which limits the maximum speed to half when set to LOW. The actual travel speed will be shown in the speed display on the LCD screen.

Volume Control

Turn signals, hazard lights, low voltage, and error messages can be set to both blink and beep. The horn is relay operated and its volume cannot be adjusted. See **figure 6**.

To set the volume:

1. Ensure the key is in the “off” position.
2. Press the appropriate two buttons simultaneously (see **chart 5**), and turn the key to the “on” position.
3. Once the volume control screen appears, release the buttons.
4. Press the hare button to increase the volume to a value of 4 and the tortoise button to decrease the volume of the beep to 0 (0 indicates off and 4 indicates the loudest volume).
5. To exit, press any button except the **hare** or **tortoise**.

NOTE: The error message language option is set the same way as the volume.

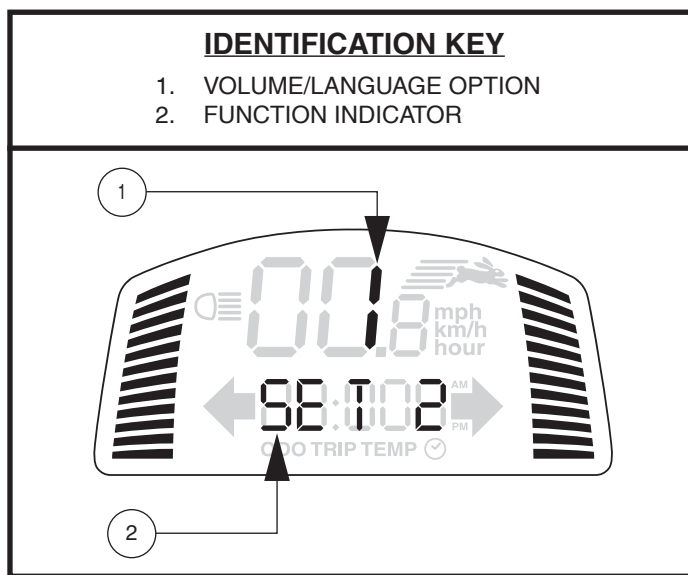


Figure 6. Volume Control Display

FUNCTION	BUTTONS	FUNCTION INDICATOR
Hazard Lights	SET + HAZARD LIGHTS	SET 1
Low Voltage	SET + LEFT TURN INDICATOR	SET 3
Turn Signals	SET + RIGHT TURN INDICATOR	SET 4
Error Message Language Option	SET + LIGHTS	SET 5 6 - Spanish 5 - Italian 4 - French 3 - German 2 - Dutch 1 - English 0 - Close

Chart 5. Volume Control Information

II. YOUR SCOOTER

IDENTIFICATION KEY

- | | |
|-----------------------------|------------------------------|
| 1. HAND BRAKE LEVER | 9. HORN BUTTON |
| 2. HORN BUTTON | 10. LEFT TURN SIGNAL BUTTON |
| 3. RIGHT TURN SIGNAL BUTTON | 11. THROTTLE CONTROL LEVER |
| 4. HEADLIGHT SWITCH | 12. THROTTLE CONTROL LEVER |
| 5. LCD SCREEN** | 13. RIGHT TURN SIGNAL BUTTON |
| 6. SPEED ADJUSTMENT DIAL | 14. MODE BUTTON |
| 7. HAZARD SWITCH | 15. *THROTTLE CONTROL PADDLE |
| 8. LEFT TURN SIGNAL BUTTON | |

*OPTIONAL COMPONENTS AVAILABLE ON SOME MODELS

**FOR LCD SCREEN INFORMATION SEE FIGURE 5.

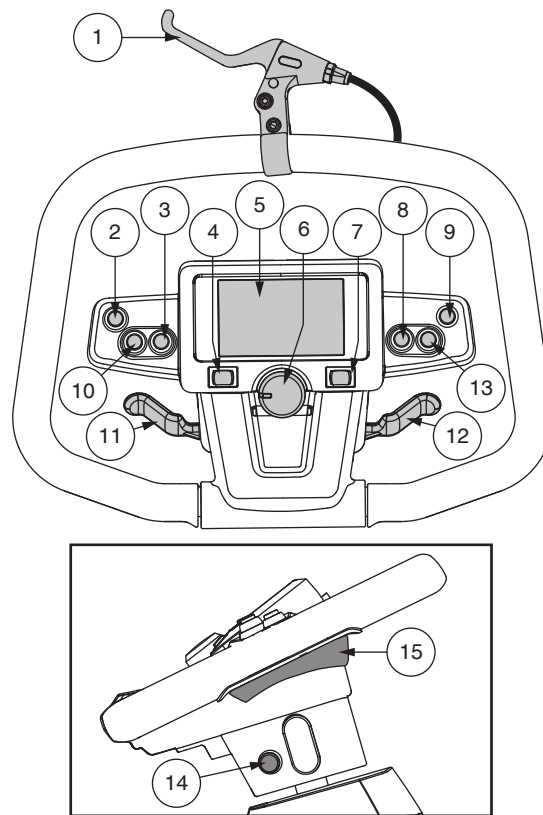


Figure 7. Tiller Console Components - Style C

Horn Buttons

These buttons activate a warning horn. Your scooter must be powered up for the horn to be operational. Do not hesitate to use the warning horn when doing so may prevent accident or injury.

Turn Signal Buttons

Use these buttons to turn on the left and right turn signal (amber) lights.

- Push the left button to activate the left turn signal light. The turn signal indicator located in the LCD screen will flash.
- Push the right button to activate the right turn signal light. The turn signal indicator located in the LCD screen will flash.
- The turn signals are timed to shut off automatically.

II. YOUR SCOOTER

Power Button (Optional – For use with NFC Card Reader)

The power button allows you to turn your scooter on and off.

- Press the power button to turn your scooter on and to use the NFC card reader. Once fully engaged and latched, the power button will emit a blue light. The power button is used in conjunction with the NFC card reader for additional security for your scooter. See “NFC Card Reader” for more information.
- Press the power button again to power down (turn off) your scooter.



WARNING! When faced with an emergency situation, switch off the key to power off the scooter. Use caution. Be advised that turning off power to the scooter may cause the scooter to stop abruptly. To release the emergency stop and restore driving capability to the scooter, release the throttle control lever and then switch on the key to the scooter.

WARNING! If power button is pushed while your scooter is in motion, the electronic brakes will engage and your scooter will come to an abrupt stop.

NFC Card Reader (Optional)

The Near Field Communication (NFC) card reader provides additional security for your scooter as no 2 keys are the same. The NFC card reader enables you to turn on your scooter with the added security of Near Field Communication (NFC).

To use the NFC card reader:

1. Press the power button on the scooter until it is fully engaged and latched.
2. Hold the NFC card over the card reader.
3. A 4-note audible sound will indicate successful pairing of the NFC card and your scooter.
4. The key may now be placed in a safe place while operating your scooter.
5. The scooter may now be driven.

NOTE: Once the power button is fully engaged and latched, you will have ten (10) seconds to pair the NFC card with your scooter. If you are unable to pair your scooter, press the power button to turn off your scooter, wait ten (10) seconds, and then press the power button to turn your scooter back on to try again.

6. To power down (turn off) your scooter, press the power button again.

Lights Switch

This switch controls your scooter’s lighting system.

- Toggle the switch to the right to turn on the lighting system.
- Toggle the switch to the left to turn off the lighting system.



WARNING! Scooter users are required to use their lights when visibility is restricted—day or night.

Hazard Lights Switch

This switch activates the 4-way flashers on your scooter.

- Toggle the hazard lights switch to the right to turn on the flashers.
- Toggle the hazard lights switch to the left to turn off the flashers.

Speed Adjustment Dial

This dial allows you to preselect and limit your scooter’s top speed.

- The image of the **tortoise** represents the slowest speed setting
- The image of the **hare** represents the fastest speed setting.

II. YOUR SCOOTER

Throttle Control Lever

This lever allows you to control the forward speed and the reverse speed of your scooter up to the maximum speed you preset with the speed adjustment dial.

NOTE: *The throttle control lever operation instructions outlined below apply to scooters in a standard configuration. If the programming of your scooter was modified in any way by an authorized provider, contact that provider for correct throttle control level operation instructions.*

To Move Forward, use either of the following:

- Use your left thumb to push the left side of the throttle control lever.
- Use your right hand fingers to pull back on the right side of the throttle control lever.

To Move Rearward, use either of the following:

- Use your right thumb to push the right side of the throttle control lever.
- Use your left hand fingers to pull back on the left side of the throttle control lever.

Release the throttle control lever and allow your scooter to come to a complete stop before engaging the other side of the lever. When the throttle control lever is completely released, it automatically returns to the center “stop” position and engages your scooter’s brakes.

If not equipped with toggles, use the following directions for throttle control paddles:

These paddles allow you to control the forward speed and the reverse speed of your scooter up to the maximum speed you preset with the speed adjustment buttons. A throttle control paddle is located on the underside of the left and right side of the tiller handle. **See Figure 7.**

To Move Forward:

- Squeeze the rear part of the throttle control paddle.

To Move Rearward:

- Squeeze the front part of the throttle control paddle.

Release the throttle control paddle and allow your scooter to come to a complete stop before engaging the other side of the paddle. When the throttle control paddle is completely released, it automatically returns to the center “stop” position and engages your scooter’s brakes.

Handbrake Lever

This lever provides you with supplemental stopping power. When in motion, release the throttle control lever and gently squeeze the handbrake lever to come to a stop. Handbrake effectiveness can be modified by tightening or loosening the setscrew located on the handbrake lever.



WARNING! The handbrake is intended for use as a supplemental braking.

II. YOUR SCOOTER

LOWER TILLER (available on models 123, 124, 133, 134, 143, 144, 614, 714, 3120, 3130 and 3140 only)

Off-board Charger Port

The off-board charger power cord plugs into this port during battery charging. The off-board charger port will be located on the tiller. See **figure 8**.

Electrical System Fuses

For information and a complete description of the fuse system, see **figure 2**.

Tiller Adjustment Lever or Tiller Adjustment Knob

See V. "Comfort Adjustments".

Key Switch

- Insert the key into the key switch and turn it clockwise to power up (turn on) your scooter. See **figure 8**.
- Turn the key counterclockwise to power down (turn off) your scooter.

WARNING! When faced with an emergency situation, switch off the key to power off the scooter. Use caution. Be advised that turning off power to the scooter may cause the scooter to stop abruptly. To release the emergency stop and restore driving capability to the scooter, release the throttle control lever and then switch on the key to the scooter.



WARNING! If the key is turned to the "off" position while your scooter is in motion, the electronic brakes will engage and your scooter will come to an abrupt stop!

Throttle Control Lever Switch

This switch dictates which throttle control lever (left or right) will function. See **figure 8**.

- Toggle the switch up to activate the left throttle control lever.
- Toggle the switch down to activate the right throttle control lever.

IDENTIFICATION KEY

1. OFF-BOARD CHARGER PORT
2. FUSE PANEL
3. TILLER ADJUSTMENT KNOB
4. KEY SWITCH
5. *THROTTLE CONTROL LEVER SWITCH
6. WATER BOTTLE HOLDER
7. MIRROR
8. USB CHARGER

*OPTIONAL COMPONENTS AVAILABLE ON SOME MODELS

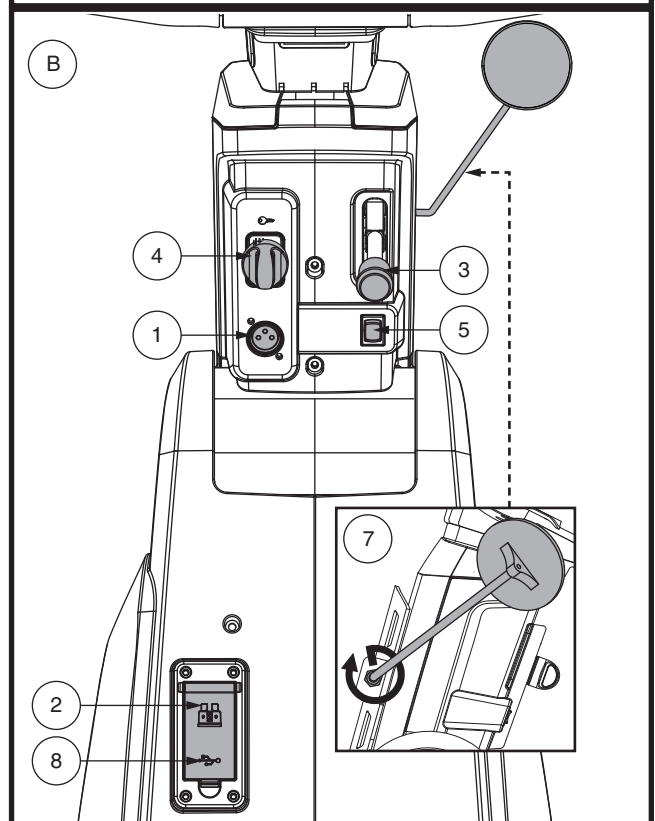
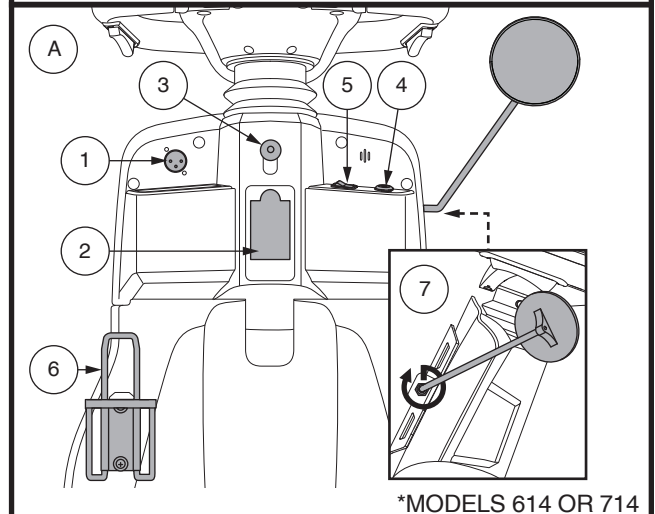


Figure 8. Lower Tiller Components

II. YOUR SCOOTER

For Models 614 and 714:

- Toggle the switch to the left to activate the left throttle control lever.
- Toggle the switch to the right to activate the right throttle control lever.

NOTE: Only one throttle control lever will function at a time.

Water Bottle Holder

The water bottle holder is intended to hold a standard size, plastic water bottle. The holder can be attached to either side of the scooter using the supplied hardware.

REAR COMPONENTS

The manual freewheel lever, anti-tip wheels (if equipped), motor/transaxle assembly, and optional safety flag brackets are located on your scooter as shown. See figure 9. The main circuit breaker (reset button) and batteries (not shown) are also located on the rear component section of your scooter.



WARNING! Before placing your scooter into or taking it out of freewheel mode, remove the key from the key switch. Never sit on a scooter when it is in freewheel mode. Never put a scooter in freewheel mode on any incline.

Manual Freewheel Lever

Whenever you need or want to push your scooter for short distances, you can put it in freewheel mode.

1. Remove the key from the key switch.
2. Push forward on the manual freewheel lever to disable the drive system and the brake system. This will enable you to push the scooter.
3. Pull back on the manual freewheel lever to reengage the drive and the brake systems and take your scooter out of freewheel mode.



WARNING! When your scooter is in freewheel mode, the braking system is disengaged.

- Disengage the drive motors only on a level surface.
- Ensure the key is removed from the key switch.
- Stand to the side of the scooter to engage or disengage freewheel mode. Never sit on a scooter to do this.
- After you have finished pushing your scooter, always return it to the drive mode to lock the brakes.

NOTE: If the scooter is placed in freewheel mode (manual freewheel lever forward) while the key is in the “on” position, the scooter will not run until the manual freewheel lever is pushed backward and the key is turned to the “off” position, then back to the “on” position.

IDENTIFICATION KEY

1. MANUAL FREEWHEEL LEVER
2. MOTOR/TRANSAXLE ASSEMBLY
3. ANTI-TIP WHEELS (if equipped)
4. SAFETY FLAG BRACKETS

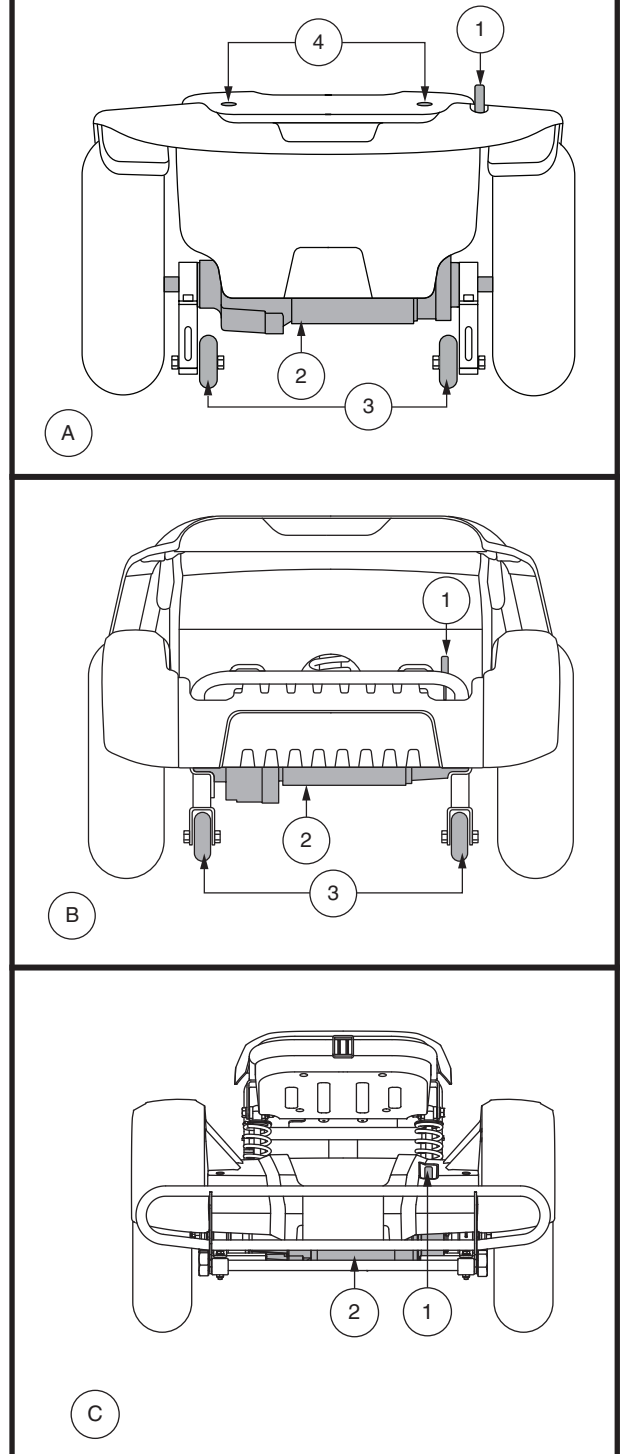


Figure 9. Rear Components

II. YOUR SCOOTER

Motor/Transaxle Assembly

The motor/transaxle assembly is an electromechanical unit that converts electrical energy from your scooter's batteries into the controlled mechanical energy that drives the scooter's wheels.

Anti-Tip Wheels (If equipped)

The anti-tip wheels are an integral and important safety feature of your scooter. They are bolted to the frame at the rear of the scooter.



PROHIBITED! Do not remove the anti-tip wheels or modify your scooter in any way that is not authorized by your Provider.



WARNING! The anti-tip wheels may cause interference with the smooth transition of your scooter when ascending or descending a curb. Contact your authorized Provider for more information.

Batteries

The batteries store electrical energy that powers your scooter. See III. "Batteries and Charging" for information on how to charge your scooter batteries.

Safety Flag Bracket (Optional—Models 613/713/7132/713ES)

Accessory brackets for installing an optional safety flag are mounted at the rear of the scooter. See figure 9.

To install the safety flag:

1. Remove the cap from the top of the bracket.
2. Insert the flag pole into the opening.

Main Circuit Breaker

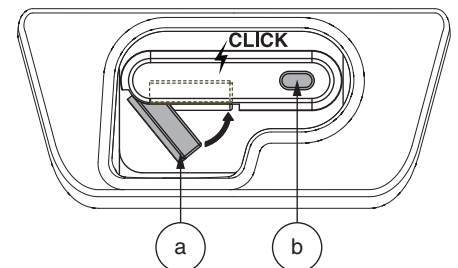
When the voltage in the batteries becomes low or your scooter is heavily strained because of excessive loads, the main circuit breaker may trip to protect the motor and electronics from damage. When the breaker trips, the entire electrical system shuts down. See figure 10.

- Three types:
 1. **Reset lever** flips down when the breaker trips.
 2. **Reset button** pops out when the breaker trips.
 3. **Automatic reset type** will reset itself after approximately a minute or so.
- Allow a minute or so for the electronics to "rest."
- Push the reset lever up until you hear a click, or push in the reset button to reset the breaker.
- If the breaker trips frequently, you may need to charge the batteries more often.
- If the main circuit breaker trips repeatedly, see your authorized Provider for service.

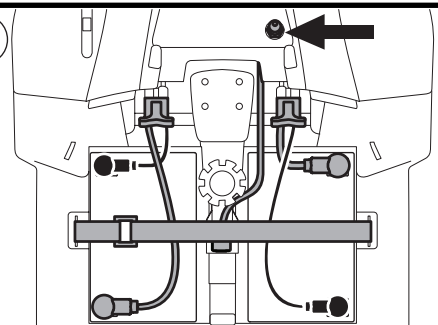
IDENTIFICATION KEY

1. LEVER STYLE
 - a. reset lever
 - b. manual shut-off button
2. RESET BUTTON STYLE
3. AUTOMATIC RESET STYLE (MODELS 614 OR 714)

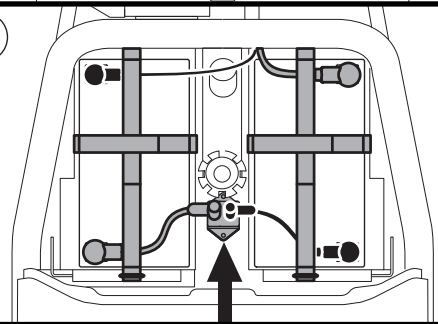
1



2



3



4

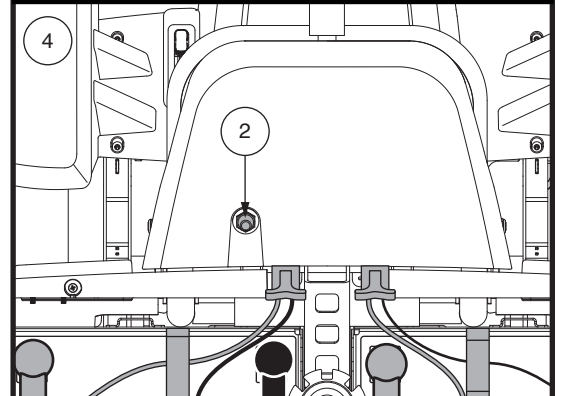


Figure 10. Main Circuit Breaker

II. YOUR SCOOTER

NOTE: If you are preparing your scooter for transport or service, or if there is a situation that requires you to manually shut down the electrical system, press the manual shut-off button on the circuit breaker. This will cut all power to your scooter.

SECUREMENT POINTS

Always secure the scooter in a forward-facing position in the vehicle. Attach the four tie-down straps to the designated securement points. See figures 11 and 12. Tighten the straps to sufficiently remove all slack. Never attach tie-downs to adjustable, moving, or removable parts of the scooter such as armrests, shrouds, and wheels. These items should be removed. Position the anchor points for the rear tie-down straps directly behind the rear securement points on the scooter. The front tie-down straps should anchor to floor points that are spaced wider than the scooter to provide increased lateral stability.



WARNING! Ensure scooters are properly secured to the motor vehicle during transport. Scooters that are not properly secured can become a hazard to the user and to other vehicle passengers in the event of a crash, sudden stopping, or swerving, as the scooter could tip or slide out of place.

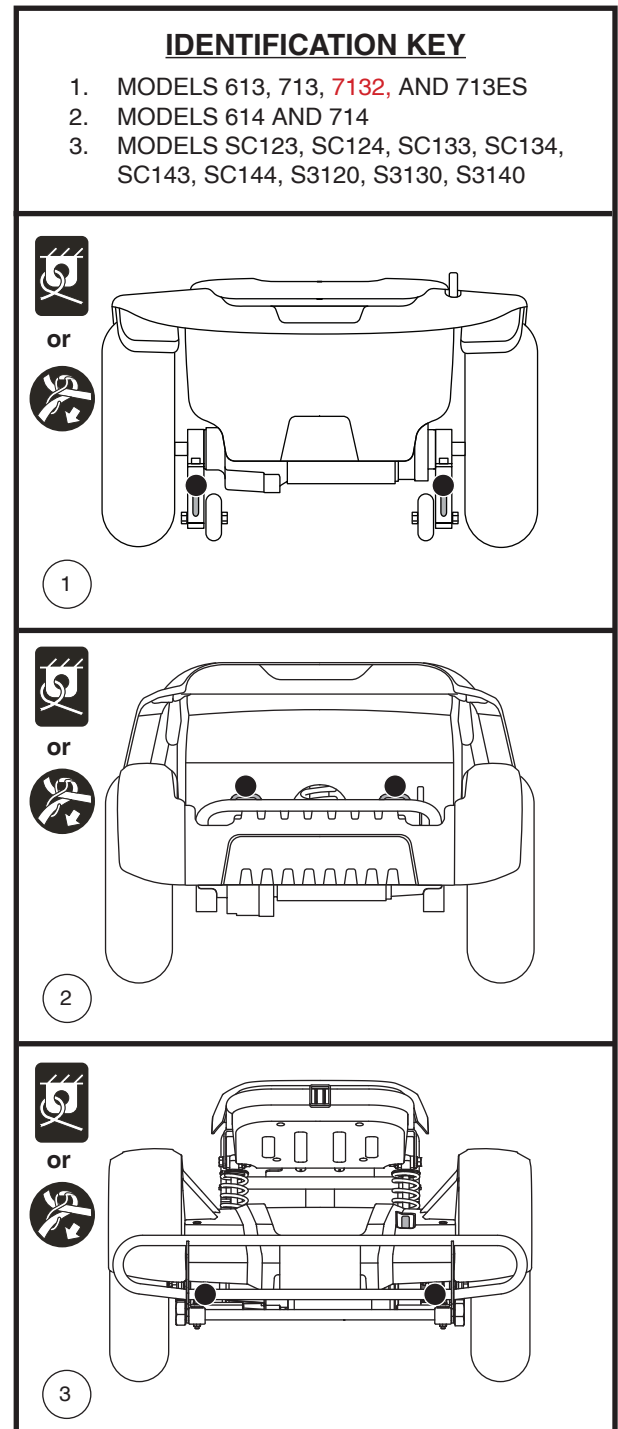


Figure 11. Rear Securement Points (Identified with black dots)

II. YOUR SCOOTER

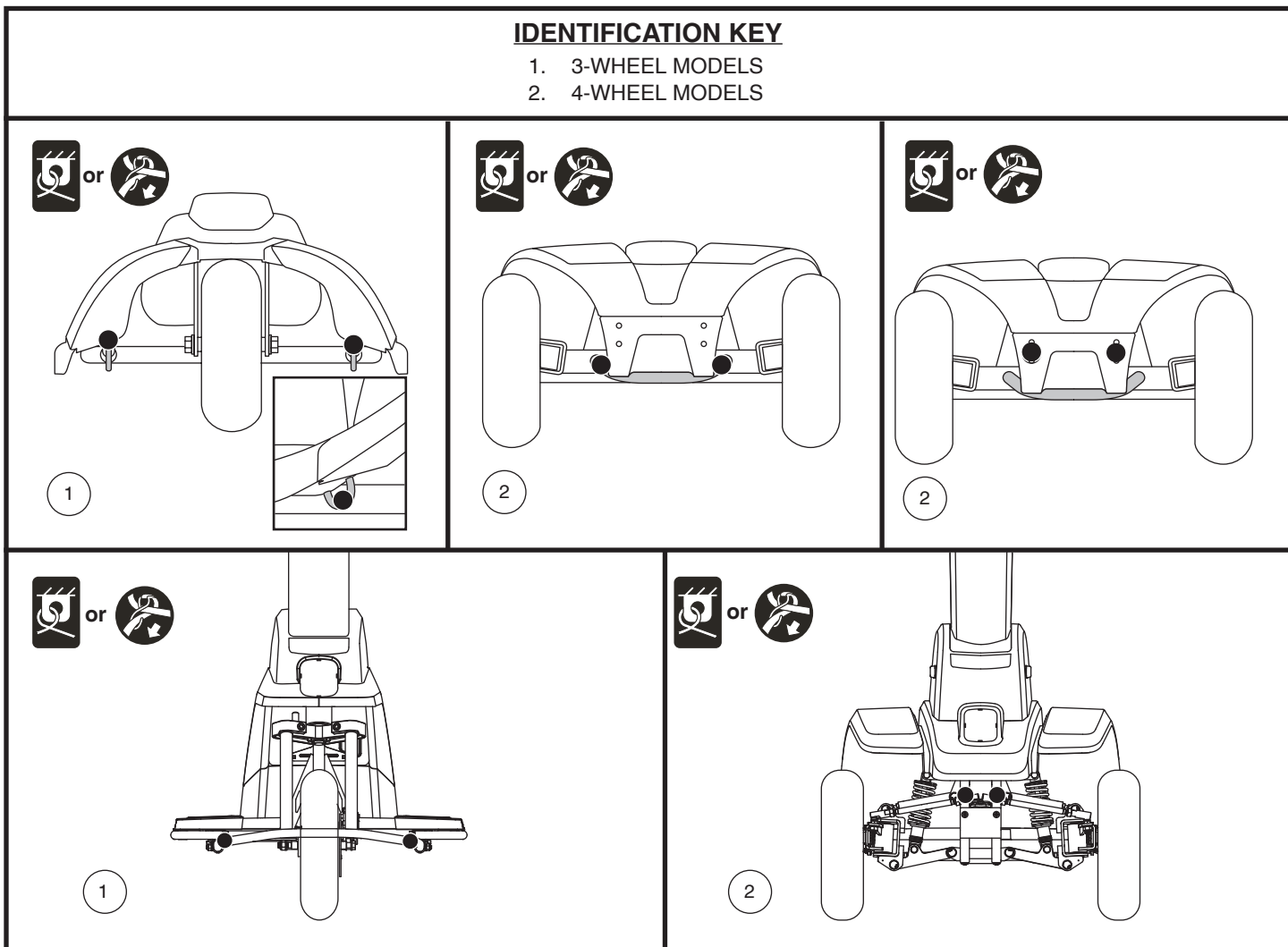


Figure 12. Front Securement Points (Identified with black dots)

III. BATTERIES AND CHARGING

BATTERIES AND CHARGING

Your scooter requires two long-lasting, 12-volt, deep-cycle batteries that are sealed and maintenance free. They are recharged by an off-board charging system.

- Charge your scooter's batteries for at least 8 to 14 hours prior to using it for the first time.
- Keep the batteries fully charged to keep your scooter running smoothly.

READING YOUR BATTERY VOLTAGE

The battery condition meter on the tiller console indicates the approximate strength of your batteries using a color code. From right to left, green indicates fully charged batteries, yellow indicates a draining charge, and red indicates that an immediate recharge is necessary. **See figure 13.** To ensure the highest accuracy, the battery condition meter should be checked while operating your scooter at full speed on a dry, level surface. For models with the LCD screen, please refer to the "Battery Condition Indicator" section on page 15.

For models equipped with battery condition meter 1c, the battery condition meter on the tiller console indicates the approximate strength of your batteries using a color code. From right to left on the meter, green (5 LEDs) indicates fully charged batteries, yellow (3 LEDs) a draining charge, and red (2 LEDs) indicates that an immediate recharge is necessary. **See figure 13.** To ensure the highest accuracy, the battery condition meter should be checked while operating your vehicle at full speed on a dry, level surface. When 5 LEDs (2 red LEDs and 3 yellow LEDs) are displayed, your batteries have 10% charge remaining.

NOTE: Battery condition meter 1c adjusts brightness based on environmental lighting.

CHARGING YOUR BATTERIES



PROHIBITED! Removal of grounding prong can create electrical hazard. If necessary, properly install an approved 3-pronged adapter to an electrical outlet having 2-pronged plug access.



PROHIBITED! Never use an extension cord to plug in your battery charger. Plug the charger directly into a properly wired standard electrical outlet.



PROHIBITED! Do not allow unsupervised children to play near the scooter while the batteries are charging. We recommend that you do not charge the batteries while the scooter is occupied.



MANDATORY! Read the battery charging instructions in this manual and in the manual supplied with the battery charger before charging the batteries.

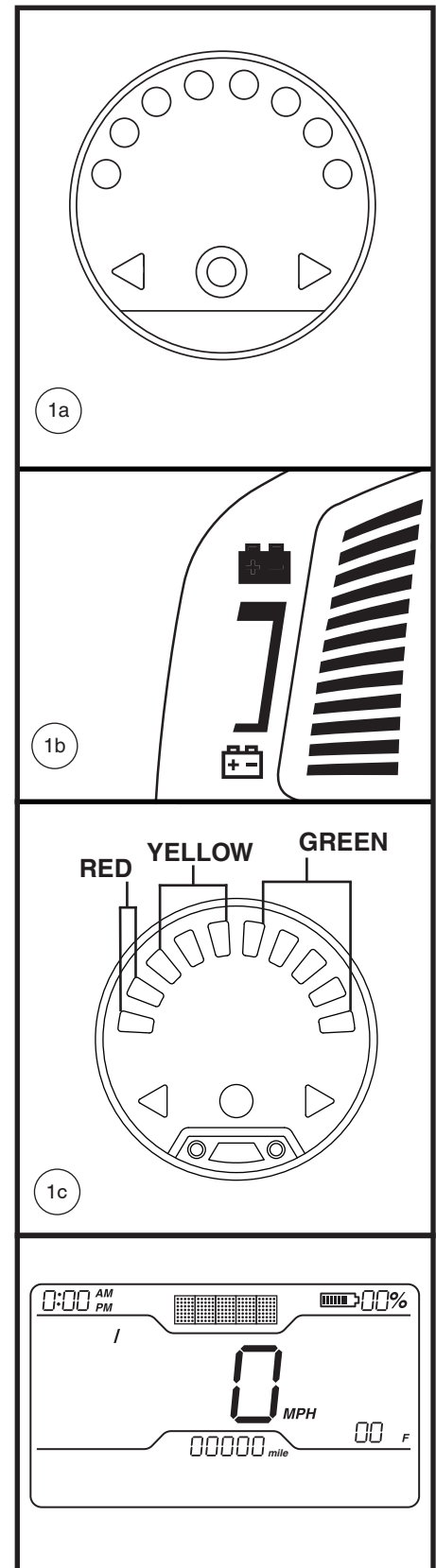


Figure 13. Battery Condition Meter

III. BATTERIES AND CHARGING



WARNING! Explosive gases may be generated while charging the batteries. Keep the scooter and battery charger away from sources of ignition such as flames or sparks and provide adequate ventilation when charging the batteries.

WARNING! You must recharge your scooter's batteries with the supplied off-board charger. Do not use an automotive-type battery charger.

WARNING! Inspect the battery charger, wiring, and connectors for damage before each use. Contact your authorized Provider if damage is found.



WARNING! Do not attempt to open the battery charger case. If the battery charger does not appear to be working correctly, contact your authorized Provider.

WARNING! If the battery charger is equipped with cooling slots, then do not attempt to insert objects through these slots.

WARNING! Be aware that the battery charger case may become hot during charging. Avoid skin contact and do not place on surfaces that may be affected by heat.



WARNING! If your battery charger has not been tested and approved for outdoor use, then do not expose it to adverse or extreme weather conditions. If the battery charger is exposed to adverse or extreme weather conditions, then it must be allowed to adjust to the difference in environmental conditions before use indoors. Refer to the manual supplied with the battery charger for more information.

Follow these easy steps to charge the batteries:

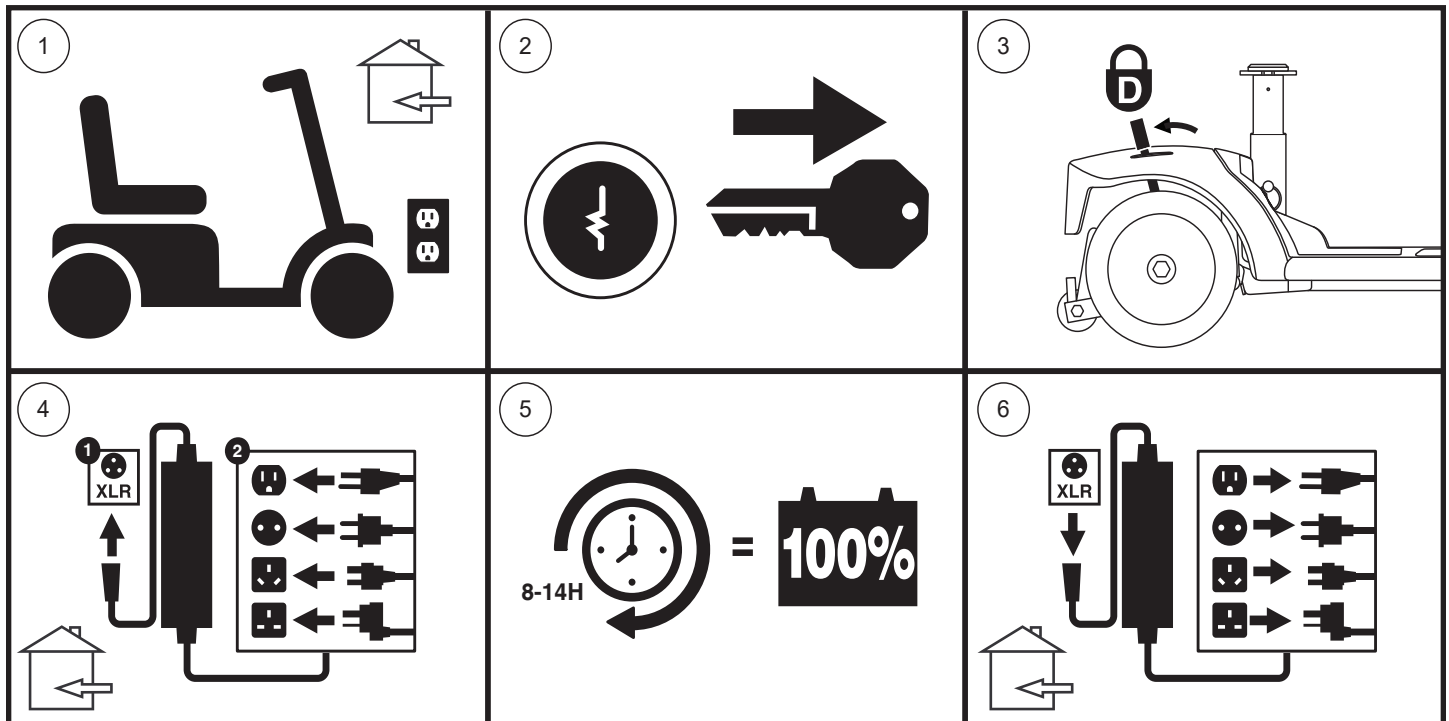


Figure 14. Battery Charging Procedures Diagram

III. BATTERIES AND CHARGING



WARNING! The LED lights on the charger indicate different charger conditions at various times. If the LED does not indicate that charging is complete within 24 hours, unplug the charger from the outlet and contact your Provider. Refer to the operating instructions supplied with the charger for a complete explanation of these indicators.

NOTE: There is a charger inhibit function on your scooter. The scooter will not run and the battery condition meter will not operate while the batteries are charging.

FREQUENTLY ASKED QUESTIONS

How does the charger work?

When your scooter's battery voltage is low, the charger works harder, sending more electrical current to the batteries to bring up their charge. As the batteries approach a full charge, the charger sends less and less electrical current. When the batteries are fully charged, the current sent from the charger is at nearly zero amperage. Therefore, when the charger is plugged in, it maintains the charge on your scooter's batteries, but does not overcharge them. Refer to the manual supplied with the battery charger for charging instructions.

Can I use a different charger?

Chargers are selected precisely for particular applications and are especially matched to the type, size and chemical formulation of specific batteries. For the safest and most efficient charging of your scooter's batteries we recommend only use of the charger supplied as original equipment with your product. Any charging method resulting in batteries being charged individually is especially prohibited.

What if my scooter's batteries won't charge?

- Ensure the red (+) and black (-) battery cables are connected properly to the battery terminals.
- Ensure both ends of the charger power cord are inserted fully.
- Ensure the circuit breaker is not tripped.

How often must I charge the batteries?

Two major factors must be considered when deciding how often to charge your scooter's batteries:

- All day scooter use on a daily basis.
- Infrequent or sporadic scooter use.

With these considerations in mind, you can determine how often and for how long you should charge your scooter's batteries. The battery charger was designed so that it will not overcharge your scooter's batteries. However, you may encounter some problems if you do not charge your batteries often enough and if you do not charge them on a regular basis. Following the guidelines below will provide safe and reliable battery operation and charging.

- If you use your scooter daily, charge its batteries as soon as you finish using it for the day. Your scooter will be ready each morning. We recommend that you charge your scooter's batteries for at least 8 to 14 hours after daily use. We recommend that you charge the batteries for an additional 4 hours after the battery charger indicates that charging is complete.
- If you use your scooter once a week or less, charge its batteries at least once a week for at least 24 hours.

NOTE: Keep your batteries fully charged and avoid deeply discharging your batteries. Refer to the manual supplied with the battery charger for charging instructions. We recommend charging your batteries for at least 48 continuous hours once per month to improve battery performance and battery life.

III. BATTERIES AND CHARGING

How can I ensure maximum battery life?

Fully charged deep-cycle batteries provide reliable performance and extended battery life. Keep your scooter's batteries fully charged whenever possible. Protect your scooter and batteries from extreme heat or cold. Batteries that are regularly and deeply discharged, infrequently charged, stored in extreme temperatures, or stored without a full charge may be permanently damaged, causing unreliable performance and limited service life.

NOTE: *To extend battery life, always turn off scooter and remove the key when not in use.*

How can I get maximum range or distance per charge?

Rarely will you have ideal driving conditions—smooth, flat, hard driving surfaces with no wind or curves. Often, you will face hills, pavement cracks, uneven and loosely packed surfaces, curves, and wind, all of which affect the distance or running time per battery charge. Below are a few suggestions for obtaining the maximum range per battery charge.

- Always fully charge your scooter's batteries prior to daily use.
- Maintain but do not exceed the psi/bar/kPa air pressure rating indicated on each tire.
- Plan your route ahead to avoid as many hills, cracked, broken, or soft surfaces as possible.
- Limit your baggage weight to essential items.
- Try to maintain an even speed while your scooter is in motion.
- Avoid stop-and-go driving.
- We recommend charging your batteries for at least 48 continuous hours once per month to improve battery performance and battery life.
- Make sure all harness connections are secured properly.

What type and size of battery should I use?

We recommend deep-cycle batteries that are sealed and maintenance free. Both AGM and Gel-Cell are deep-cycle batteries that are similar in performance. Do not use wet-cell batteries, which have removable caps.



WARNING! Corrosive chemicals are contained in batteries. Use only AGM or Gel-Cell batteries to reduce the risk of leakage or explosive conditions.

NOTE: *Sealed batteries are not serviceable. Do not remove the caps.*

Why do my new batteries seem weak?

Deep-cycle batteries employ a different chemical technology than that used in car batteries, nickel-cadmium batteries (nicads) and other common battery types. Deep-cycle batteries are specifically designed to provide power, drain down their charge and then accept a relatively quick recharge.

We work closely with our battery manufacturer to provide batteries that best suit your scooter's specific electrical demands. Fresh batteries are shipped fully charged to our customers. During shipping, the batteries may encounter temperature extremes that can influence their initial performance. Heat diminishes the charge on the battery; cold slows the available power and extends the time needed to recharge the battery.

It may take a few days for the temperature of your scooter's batteries to stabilize and adjust to their new room or ambient temperature. More importantly, it takes a few charging cycles (partial draining followed by full recharging) to establish the critical chemical balance that is essential to a deep-cycle battery's peak performance and long life.

III. BATTERIES AND CHARGING

Follow these steps to properly break in your scooter's new batteries for maximum efficiency and service life:

1. Fully recharge any new battery prior to its initial use. This charging cycle brings the battery up to about 88% of its peak performance level.
2. Operate your new scooter in familiar and safe areas. Drive slowly at first, and do not travel too far from your home or familiar surroundings until you have become accustomed to your scooter's controls and have properly broken in your scooter's batteries.
3. Fully recharge the batteries. They should be at over 90% of their peak performance level.
4. Operate your scooter again, then fully recharge the batteries again.
5. After four or five charging cycles, the batteries are able to receive a charge of 100% of their peak performance level and are able to last for an extended period of time.

What about public transportation?

AGM and Gel-Cell batteries are designed for application in scooters and other mobility vehicles. These batteries are Federal Aviation Administration (FAA) approved (United States only), allowing safe transportation on aircraft, buses, and trains, as there is no danger of spillage or leakage. We suggest you contact the carrier's ticket counter in advance to determine that carrier's specific requirements.

III. BATTERIES AND CHARGING

How do I change a battery in my scooter?



MANDATORY! Battery posts, terminals and related accessories contain lead and lead compounds. Wear goggles and gloves when handling batteries and wash hands after handling.



PROHIBITED! Always use two batteries of the exact same type, chemistry and amp-hour (Ah) capacity. Refer to the specifications table with this manual and in the manual supplied with the battery charger for recommended type and capacities.

WARNING! Do not mix old and new batteries. Always replace both batteries at the same time.



WARNING! Contact your authorized Provider if you have any questions regarding the batteries in your scooter.

WARNING! Do not replace the batteries while the scooter is occupied.

WARNING! The batteries on your scooter should only be serviced or replaced by an authorized Provider or a qualified technician.



PROHIBITED! Keep tools and other metal objects away from battery terminals. Contact with tools can cause electrical shock.

You may need the following to change your batteries:

- Metric/standard socket set and ratchet
- Adjustable wrench
- Screwdriver



WARNING! Do not lift beyond your physical capability. Ask for assistance when necessary while disassembling or assembling your scooter.

To change batteries in your scooter:

1. Remove the seat and battery shroud. See figure 15.
 - a.) For models 614 and 714, remove the rear shroud by removing the two (2) thumbscrews that secure it to the scooter frame, and then lifting the shroud straight up and off of the scooter. See figure 15.
 - b.) For models 614 and 714, remove the battery shroud by removing the four (4) thumbscrews that secure it to the scooter frame, and then lifting the shroud straight up and off of the scooter. See figure 15.
2. Disconnect the battery tie-down strap(s).
3. For all models EXCEPT 614 and 714, disconnect the front-to-rear harness. Unplug both battery harnesses by pulling each harness out of its mating plug. See figure 17.



WARNING! Do not pull on electrical harness wires directly to detach them from the scooter. Always grasp the connector itself when disconnecting the harness to prevent wire damage.

WARNING! Failure to unplug both battery harnesses and front-to-rear harness prior to separating the front and rear sections could result in permanent damage to the scooter.

4. Disconnect the battery cables from the battery terminals by sliding back the terminal boots and unscrewing the nut from the bolt. See figure 16.
5. Remove the old batteries from the battery wells.

NOTE: Some scooters have spacers installed to secure the batteries. You may want to remove the spacers for safe keeping until the batteries are replaced in the scooter. See figure 18.

6. Place a new battery in each battery well. Face the battery terminals of each battery away from the seat post with the positive (+) and negative (-) battery terminals positioned as shown in figure 17.

III. BATTERIES AND CHARGING

NOTE: Models 614 and 714 use battery straps to secure batteries in the battery wells. Please refer to figure 17 for battery strap installing procedures.

7. Connect the red battery cable to the positive (+) battery terminal on each battery.
8. Connect the black battery cable to the negative (-) battery terminal on each battery.
9. Reposition the terminal boots over the battery terminals.
10. Reconnect the battery tie-down straps.
11. Reinstall the battery shroud, the rear shroud, and the seat.

NOTE: If you encounter a damaged or cracked battery, immediately enclose it in a plastic bag. Contact your local waste disposal agency or your authorized Provider for instructions on disposal and battery recycling, which is our recommended course of action.

NOTE: While replacing the batteries in the 7132, you must use the battery jumper harness if using 2 lithium batteries in parallel.

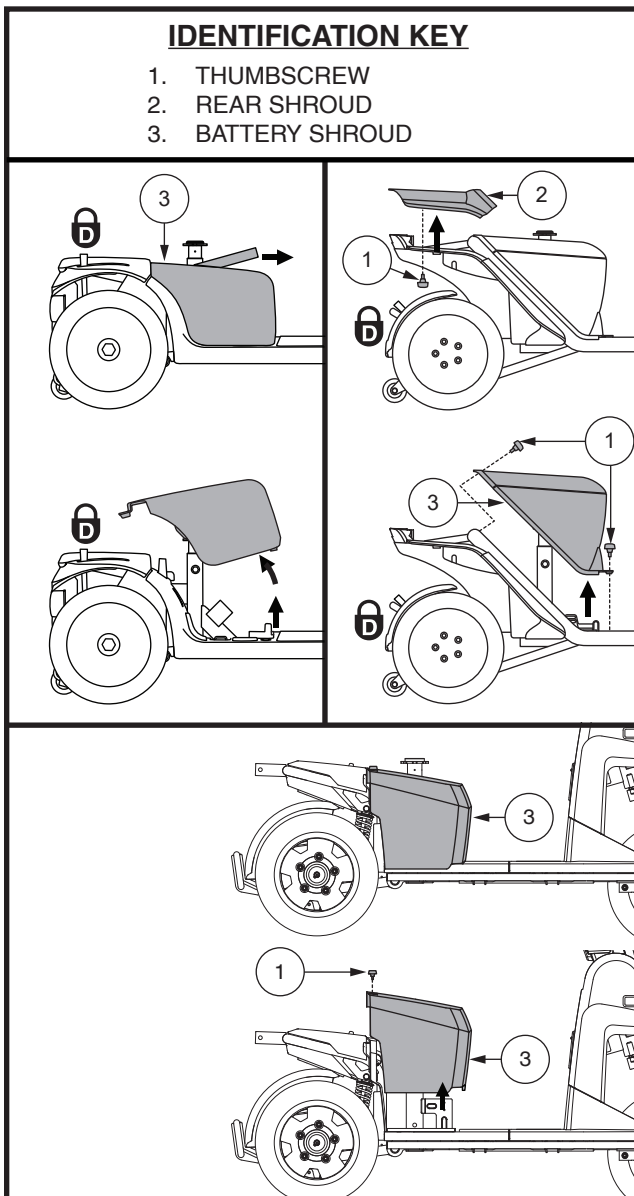


Figure 15. Battery Shroud Removal/Installation

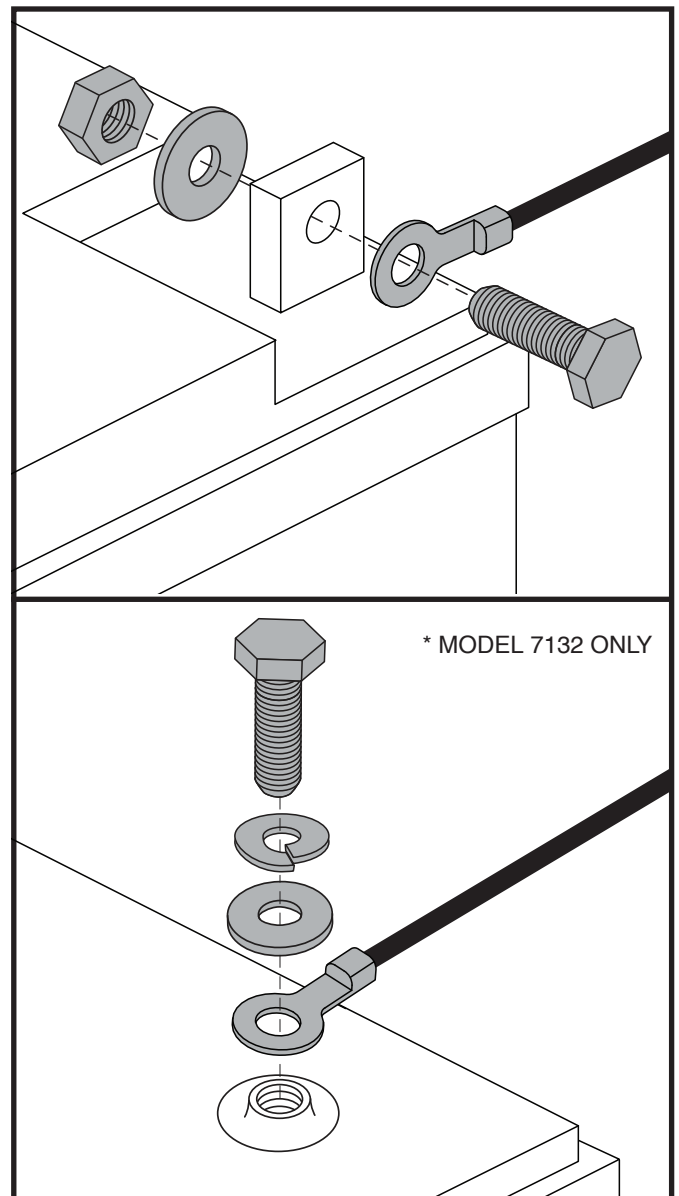


Figure 16. Battery Terminal Hardware

III. BATTERIES AND CHARGING

IDENTIFICATION KEY

- | | |
|-------------------------|------------------------------------|
| 1. MAIN CIRCUIT BREAKER | 2. BATTERY TERMINALS UNDER BOOTS |
| 1a. Reset Button | 3. BATTERY TIE-DOWN STRAP |
| 1b. Reset Lever | 4. BATTERY HARNESS CONNECTORS |
| 1c. Auto Reset style | 5. FRONT-TO-REAR HARNESS CONNECTOR |
| | 6. BATTERY JUMPER HANRESS |

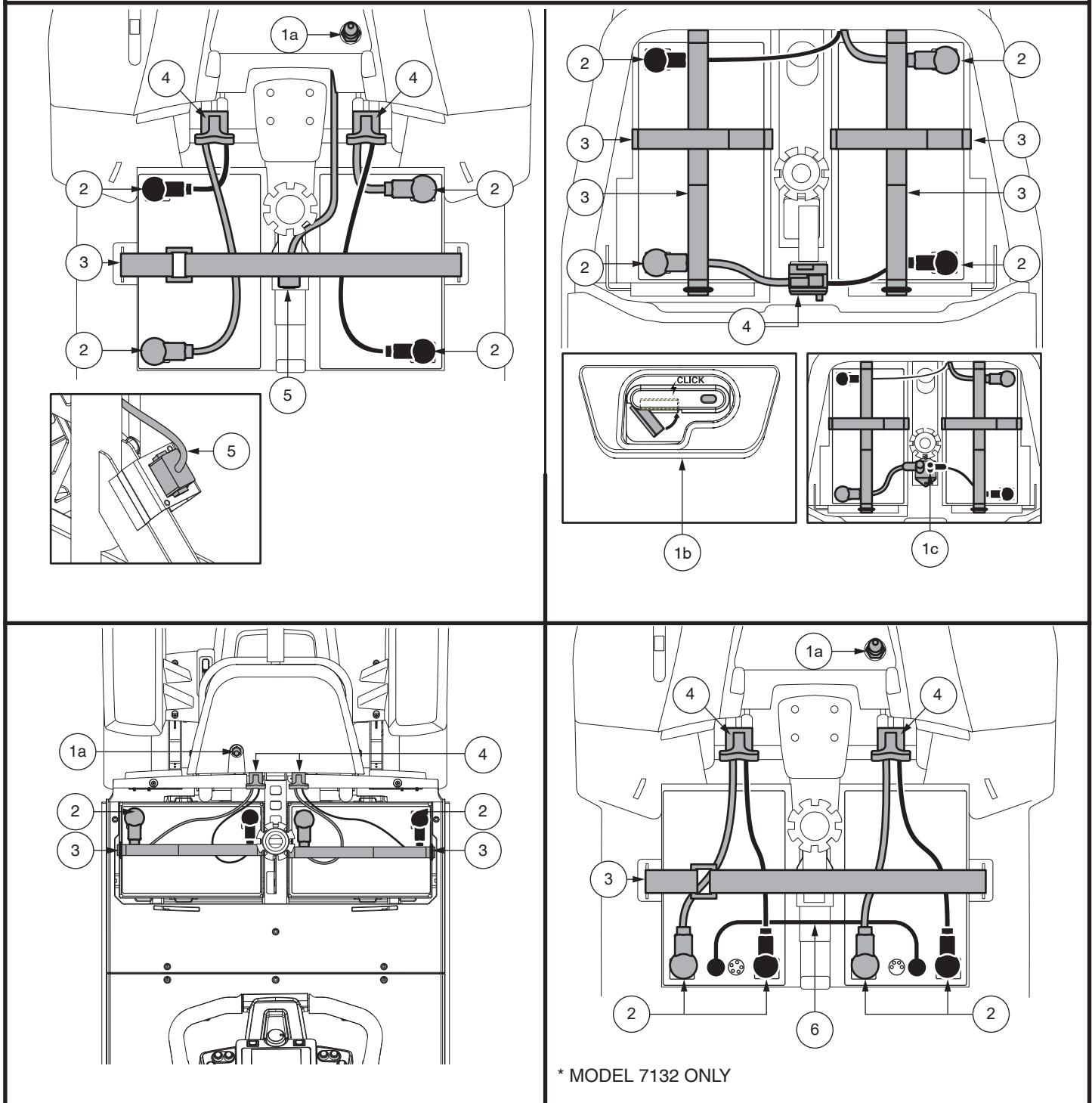


Figure 17. Battery Removal/Installation Terminals and Connections

Battery Securement and Strap Routing

1. Secure the batteries in the battery wells by routing the provided battery straps through the battery well slots as shown.
2. Ensure the short strap runs over the top of the long strap.

NOTE: Before securing both straps, ensure the D-ring is positioned as shown here. The D-ring should be positioned within 1 inch (2.54 cm) of, but never touch, the battery well.

3. Any excess strapping should be placed facing the back, or next to the seat post, of the scooter.



WARNING! The battery straps should never be positioned under the battery.

IDENTIFICATION KEY

- | | |
|----------------------|--------------------|
| 1. REUSABLE FASTENER | 5. FRONT SLOT |
| 2. SHORT STRAP | 6. SIDE SLOT |
| 3. LONG STRAP | 7. REAR SLOT |
| 4. D-RING | 8. BATTERY SPACERS |

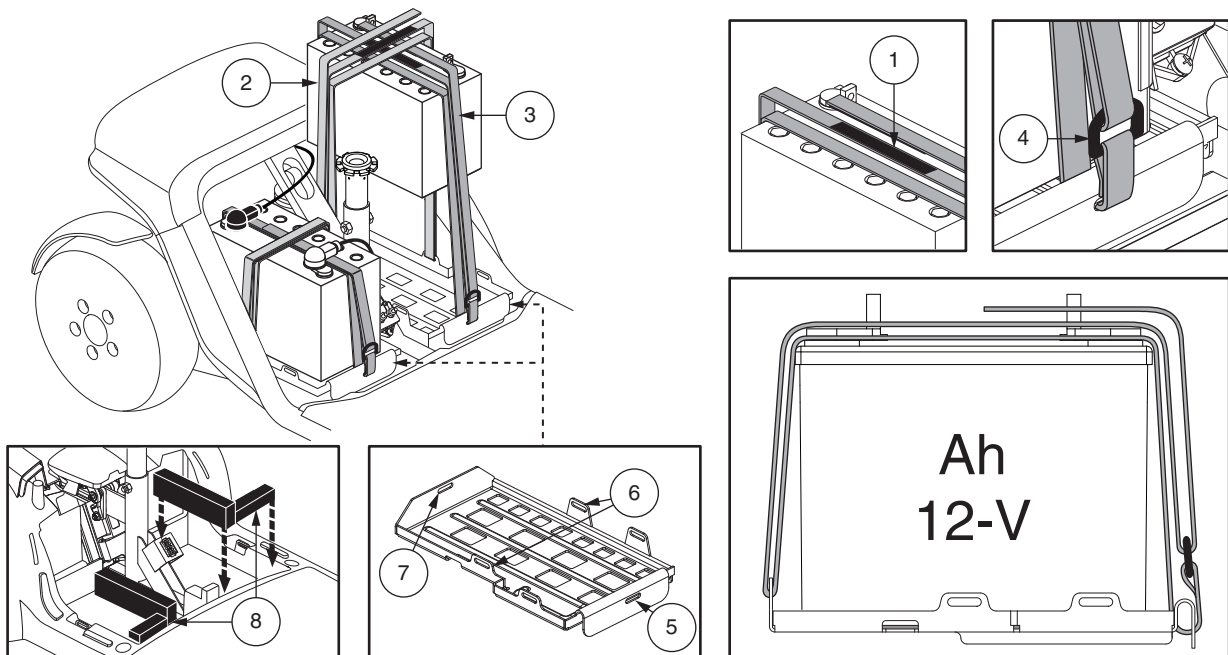


Figure 18. Battery Securement for Models 614 and 714

In the event of an electrical issue or a thermal event, the battery power can be quickly disconnected so that the batteries can be isolated for transport for service (**model 7132 only**).



WARNING! When faced with an emergency situation, the batteries can be quickly disconnected by pulling **FORWARD** on the emergency battery disconnect strap. Use caution. Be advised that turning off power to the scooter may cause the scooter to stop abruptly. To release the emergency stop and restore driving capability to the scooter, remove the seat and battery shroud, and reconnect the battery connector as shown in Figure 16.

WARNING! If the battery disconnect strap is engaged while your scooter is in motion, the electronic brakes will engage and your scooter will come to an abrupt stop.

IV. OPERATION

BEFORE GETTING ONTO YOUR SCOOTER

- Have you fully charged the batteries? See III. “Batteries and Charging.”
- Is the manual freewheel lever in the drive (rearward) position? Never leave the manual freewheel lever pushed forward unless you are manually pushing your scooter.
- Ensure the air temperature is between -13°F/-25°C to 122°F/50°C.

GETTING ONTO YOUR SCOOTER

1. Make certain that the key is removed from the key switch.



WARNING! Never attempt to get onto or off of your scooter without first removing the key from the key switch. This will prevent the scooter from moving if accidental throttle control lever contact is made.

2. Stand at the side of your scooter.
3. Disengage the seat rotation lever and rotate the seat until it is facing you.
4. Make certain that the seat is fixed securely in position.
5. Position yourself comfortably and securely in the seat.
6. Disengage the seat rotation lever and rotate the seat until you are facing forward.
7. Make certain that the seat is fixed securely in position.
8. Make certain that your feet are safely on the floorboard.

PRE-RIDE ADJUSTMENTS AND CHECKS

- Is the seat at the proper height? See V. “Comfort Adjustments.”
- Is the seat fixed securely in position?
- Is the tiller at a comfortable setting and locked securely in place? See V. “Comfort Adjustments.”
- Is the key fully inserted into the key switch and turned clockwise to the “on” position?
- Does the horn work properly?
- Is your proposed path clear of people, pets, and obstacles?
- Have you planned your route to avoid adverse terrain and as many inclines as possible?
- Prior to riding your scooter, especially after storage, squeeze the handbrake lever fully five to seven (5-7) times to confirm proper function of the handbrake.

OPERATING YOUR SCOOTER

WARNING! The following can adversely affect steering and stability while operating your scooter, resulting in loss of control, tipping, and/or personal injury:

- Holding onto or attaching a leash to walk your pet.
- Carrying passengers (including pets).
- Hanging any article from the tiller.
- Towing or being pushed by another motorized vehicle.



WARNING! Tipping Risk! Avoid abrupt maneuvers at excessive speed. It is recommended that you set the speed adjustment dial to the lowest setting until you become familiar with scooter controls and operation.

WARNING! Scooter braking distances are greater on an incline than on the horizontal.

WARNING! Keep both hands on the tiller and your feet on the floorboard at all times while operating your scooter. This driving position gives you the most control over your vehicle.

- Set the speed adjustment dial to your desired speed.
- Press your thumb against the appropriate side of the throttle control lever.
- The electromechanical disc park brake automatically disengages and the scooter accelerates smoothly to the speed you preselected with the speed adjustment dial.
- Pull on the left handgrip to steer your scooter to the left.
- Pull on the right handgrip to steer your scooter to the right.

IV. OPERATION

- Move the tiller to the center position to drive straight ahead.
- To stop, slowly release the throttle control lever. The electronic brakes will automatically engage, bringing your scooter to a stop.

NOTE: *Your scooter's reverse speed is slower than that of the forward speed you preset with the speed adjustment dial or on the LCD control panel.*

GETTING OFF OF YOUR SCOOTER

1. Bring your scooter to a complete stop.
2. Power down your scooter and remove the key from the key switch.



WARNING! Never attempt to get onto or off of your scooter without first removing the key from the key switch. This will prevent the scooter from moving if accidental throttle control lever contact is made.

3. Disengage the seat rotation lever and rotate the seat until you are facing toward the side of your scooter.
4. Make certain that the seat is fixed securely in position.
5. Carefully and safely get out of the seat and stand to the side of your scooter.
6. You can leave the seat facing to the side to facilitate boarding your scooter next time.

POWER DOWN TIMER FEATURE

Your scooter is equipped with an automatic power down timer feature designed to prevent your Scooter from moving if left unattended. If you mistakenly leave the key in the “on” position but do not use your scooter for approximately 20 minutes, the scooter's controller shuts down automatically. Although the controller is shut down, power will still be supplied to the scooter's electrical system.

If the power down timer feature takes effect, perform the following steps to resume normal operation:

1. Remove the key from the key switch.
2. Reinsert the key and power up your scooter.

V. COMFORT ADJUSTMENTS

TILLER ANGLE ADJUSTMENT (See figure 1, 8 or 19)

WARNING! Remove the key from the key switch before adjusting the tiller or the seat. Never attempt to adjust the tiller or the seat while the scooter is in motion.



WARNING! Prior to operating the scooter, push and pull on the tiller to ensure that the angle adjustment mechanism is secure. Inspect the tiller adjustment knob and the angle adjustment mechanism to ensure that they are fully engaged. If there is movement in the tiller, check to make sure that the tiller adjustment knob is fully tightened.



WARNING! Do not attempt to use the tiller adjustment lever as a handbrake.

NOTE: In order to fully lower the tiller for purposes of disassembly or transport, you must first completely remove the seat.

MIRROR POSITION

To install the mirror (see figure 1 or 8):

1. Determine on which side to install the mirror and remove the rubber plug from the top of the tiller handle.
2. Insert the threaded end of the mirror holder into the opening and rotate it clockwise until snug.
3. If necessary, rotate the nut clockwise to secure the mirror in place.

To adjust the mirror:

1. Position yourself in a seated driving position facing forward.
2. Adjust the mirror left, right, up, or down until you have a good line of sight behind you.

SEATBACK ADJUSTMENT



WARNING! Do not operate your scooter with the seatback in a reclined position.

WARNING! Always keep your back pressed firmly against the seatback while adjusting the angle.

To adjust your scooter's reclining seat, you can adjust the seatback angle with the seatback adjustment lever. See figure 20.

1. With your back pressed up against the seatback, lift up on the seatback adjustment lever and lean forward or rearward to adjust the seatback angle.
2. Release the seatback adjustment lever once the seat is in a comfortable riding position.

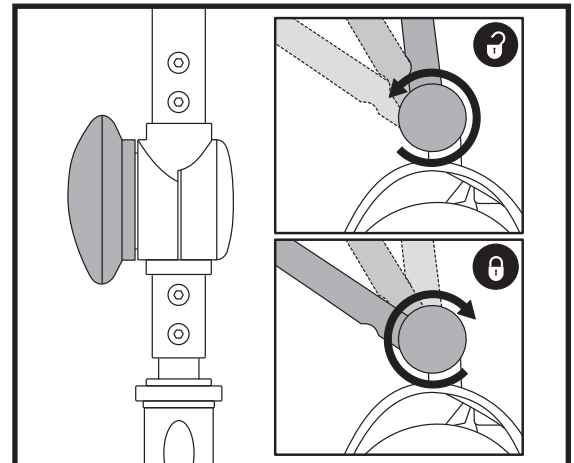


Figure 19. Tiller Adjustment Knob

IDENTIFICATION KEY

1. SEATBACK ADJUSTMENT LEVER
2. SEAT ROTATION LEVER
3. ARMREST ANGLE ADJUSTMENT DIAL
4. SEAT SLIDING LEVER
5. ACCESSORY BRACKET
6. DETENT PIN

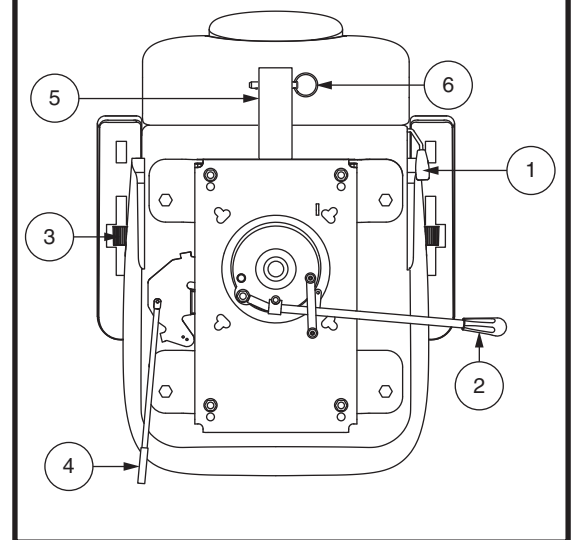


Figure 20. Seat Adjustments

V. COMFORT ADJUSTMENTS

SEAT ROTATION ADJUSTMENT

The seat rotation lever will secure the seat into several positions.

1. Pull upward on the seat rotation lever to disengage the seat. **See figure 20.**
2. Rotate the seat to the desired position.
3. Release the lever to secure the seat into place.

ARMREST ANGLE ADJUSTMENT

Armrest angle of your scooter can be adjusted upward or downward by turning the adjustment dial. **See figure 20.**

NOTE: The armrests also pivot upward to make getting on and off of your scooter easier.

FRONT-TO-BACK SEAT ADJUSTMENT

You can reposition the seat forward or rearward to adjust the distance between the seat and the tiller.

1. Move the seat sliding lever located at the lower left side of the seat outward. **See figure 20.**
2. While holding the lever out, slide the seat forward or rearward.
3. Release the seat sliding lever once the seat is in the desired position.

ACCESSORY BRACKET

The rear-mounted accessory bracket allows you to attach a personal accessory such as a basket, walker holder, or oxygen tank to the back of your scooter. Utilize the detent pin to securely mount your item to the accessory bracket. **See figure 20.** See your authorized Provider for details.

SEAT HEIGHT ADJUSTMENT

The seat can be repositioned to several different heights. **See figure 21.**

1. Remove the seat and rear shrouds from your scooter.
2. Remove the seat height adjustment bolt.
3. Raise or lower the upper seat post to the desired seat height.
4. While holding the upper seat post at that height, align the adjustment holes of the upper and lower seat posts.
5. Insert the seat height adjustment bolt through the locating holes of both the upper and lower seat posts.
6. Reinstall the nut onto the seat height adjustment bolt and tighten.
7. Reinstall the rear shrouds and the seat.

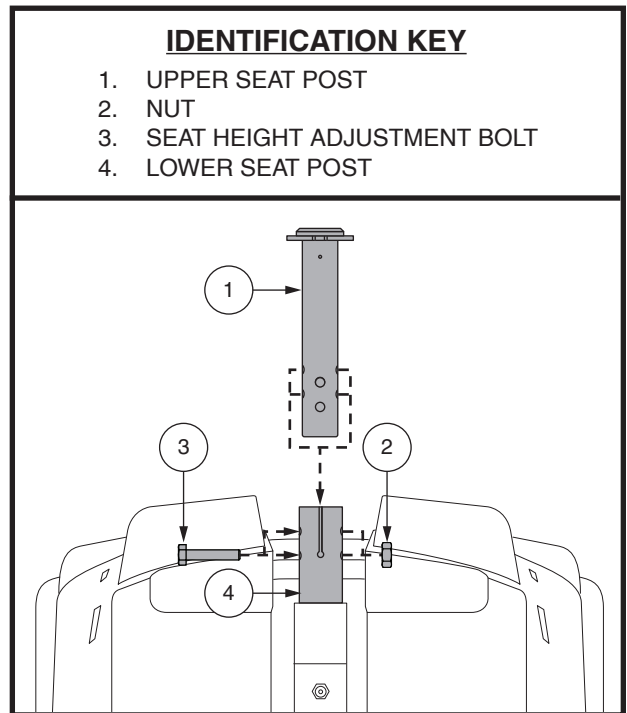


Figure 21. Seat Height Adjustment

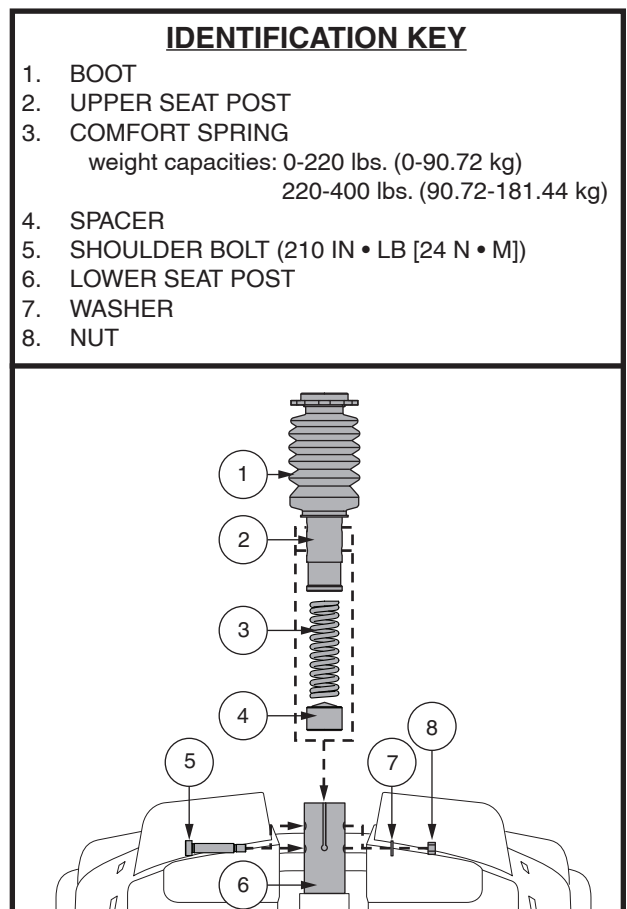


Figure 22. Seat Height Adjustment - Comfort Seat Post

V. COMFORT ADJUSTMENTS

SEAT HEIGHT ADJUSTMENT—COMFORT SEAT POST (IF EQUIPPED)

To reposition the seat to one of two different heights:

1. Remove the seat from your scooter. Pull upward and hold the seat rotation lever to disengage the seat, then rotate the seat and lift it off of the scooter.
2. Remove the rear shroud.
3. Push up the seat post boot to uncover the hardware.
4. Push down on the seat post while loosening and removing the shoulder bolt, washer, and nut. **See figure 22.**
5. Remove the comfort spring.
6. To raise the seat to the top most mounting hole, insert the height adjustment spacer. To lower the seat to the lowest mounting hole, remove the height adjustment spacer.
7. Reinstall the comfort spring.
8. Hold the upper seat post at the desired height and match up the locating holes in the lower seat post. Utilize the top holes for the upper position or the bottom holes for the lower position.

NOTE: When the seat post is mounted in the upper position, you must utilize two spacers.

9. Press down on the seat post while reinstalling the hardware and tightening to 210 in • lb (24 N • m).
10. Replace the rear shroud and the seat.

SEAT SUSPENSION ADJUSTMENT (IF AVAILABLE)

You can loosen or stiffen the seat suspension based on which comfort spring you install.

To adjust the seat suspension:

1. Remove the seat from your scooter. Pull upward and hold the seat rotation lever to disengage the seat, then rotate the seat and lift it off of the scooter.
2. Remove the rear shroud.
3. Push up the seat post boot to uncover the hardware.
4. Push down on the seat post while loosening and removing the hex head bolt and nut.
5. Remove the current spring.
6. Install the desired spring. **See figure 22.**
7. Press down on the seat post while reinstalling the hardware and tightening to 210 in • lb (24 N • m).
8. Replace the rear shroud and the seat.

POSITIONING BELT (OPTIONAL)

Your scooter seat may be equipped with an auto-type positioning belt that can be adjusted for operator comfort. The positioning belt is designed to help support the operator so that he or she does not slide down or forward in the seat. The positioning belt is not designed for use as a restraining device.



WARNING! The positioning belt is not designed for use as a seat belt in a motor vehicle. Nor is your scooter suitable for use as a seat in any vehicle. Anyone traveling in a vehicle should be properly belted into seats approved by the vehicle manufacturer.

WARNING! The positioning belt should be secured at all times. Never allow the positioning belt to hang or drag on the floor as it may become entangled.

V. COMFORT ADJUSTMENTS

To install the positioning belt (if required):

1. Remove the seat from your scooter.
2. Place the seat upside down so that you can see the bottom of the seat base. See figure 23.
3. Use a wrench to remove the two rear bolts on the outermost part of the seat frame.
4. Insert the bolt through the appropriate ends of the positioning belt and then reinstall the bolts back into the seat frame.
5. Tighten the bolts.

Metal tab style positioning belt

To adjust the positioning belt for operator comfort:

1. Insert the metal tab on the right side of the belt into the plastic housing on the opposite strap until you hear a “click.” See figure 24.
2. Pull the strap on the right side of the belt until it is secure, but not so tight as to cause discomfort.

To release the positioning belt:

1. Press the push button mechanism on the plastic housing.

MANDATORY! Make sure the positioning belt is properly secured to the scooter and is adjusted for operator comfort before each use.



MANDATORY! Inspect the positioning belt for loose parts or damage, including tears, worn spots, bent hardware, or damaged latch mechanisms, dirt or debris, before each use of the scooter. If you discover a problem, contact your authorized Provider for maintenance and repair.

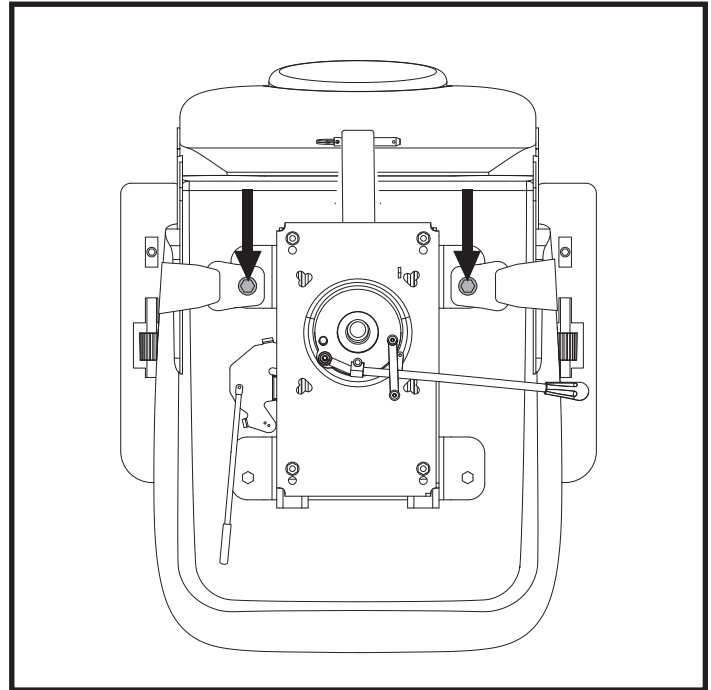


Figure 23. Positioning Belt Bolts

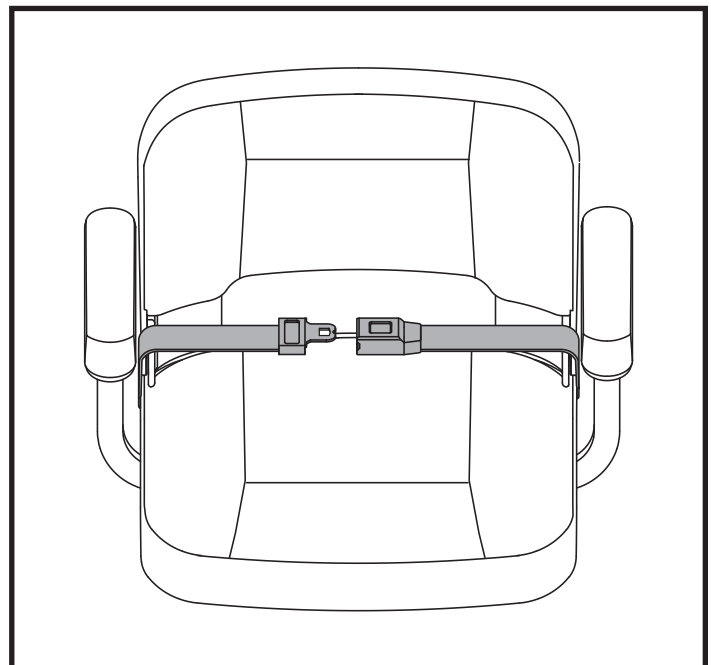


Figure 24. Positioning Belt - Metal Tab Style

VI. DISASSEMBLY AND ASSEMBLY

NOTE: Please check the Scooter Features Table on the inside of the front cover to determine if your scooter model can be disassembled for transporting or storage purposes.

DISASSEMBLY

You can disassemble the scooter into several pieces: the seat, the rear section, the front section, the batteries, the basket, and the battery shroud. See figure 25. No tools are required to disassemble or assemble your scooter, but keep in mind that the disassembled sections of the scooter take up more floor space than the assembled unit. Always disassemble or assemble your scooter on a level, dry surface with sufficient room for you to work and move around your scooter—about 5 feet (1.5 meters) in all directions. Remember that some scooter components are heavy and you may need assistance when lifting them.



WARNING! Do not lift weight beyond your physical capability. Ask for assistance when necessary while disassembling or assembling your Scooter.

WARNING! Do not pick up the seat frame or scooter by the armrests. They are free to pivot, and you may lose control of the seat if they do so.

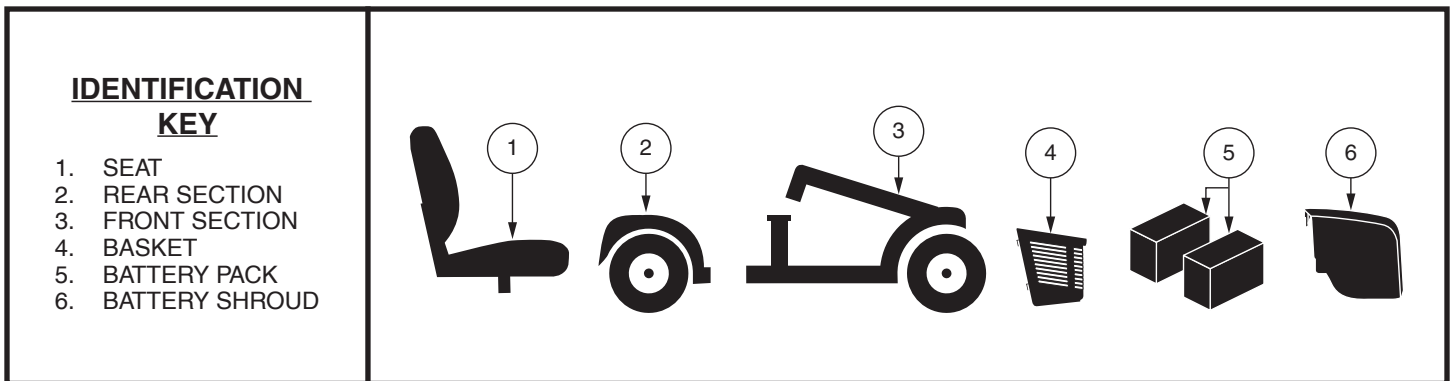


Figure 25. Disassembled Scooter

To disassemble your scooter:

1. Remove the seat by lifting it straight up and off of the scooter. If you encounter resistance when removing the seat, disengage the seat rotation lever and swivel the seat back and forth while lifting up on the seat.
2. Gently pull the battery shroud forward, then lift up and off of the scooter.
3. Disconnect the battery tie-down strap.
4. Disconnect the front-to-rear harness.
5. Unplug both battery harnesses by depressing the tabs and then pulling each harness straight up. See figure 17.
6. Remove the batteries from the battery wells.

NOTE: If spacers are installed to secure the batteries, remove the spacers for safe keeping until the scooter is reassembled. See figure 18.



WARNING! Failure to unplug both battery harnesses and the front-to-rear harness prior to separating the front and rear sections could result in permanent damage to the scooter.

VI. DISASSEMBLY AND ASSEMBLY

FRAME SEPARATION

To separate frame:

1. Arrange the front wheel(s) in a straight forward-facing position.
2. Lower the tiller.

NOTE: *The pivoting tiller is equipped with a mechanism that will lock the front wheels in place when the tiller is completely lowered and secured.*

3. Grasp and lift up on the frame release lever. See figure 26.
4. Lift the front section up until the frame hooks of the front section separate from the rear section.
5. Slowly separate the two sections.

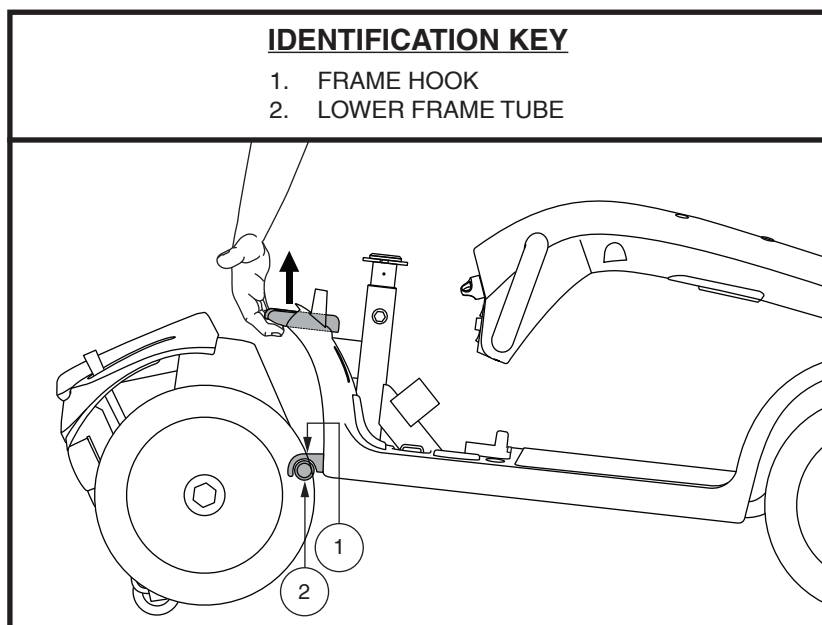


Figure 26. Frame Release Lever

ASSEMBLY

To assemble your scooter:

1. Position the front and rear sections of your scooter as shown in figure 26.
2. Use the frame release lever to lift the front section as you align the frame hooks of the front section with the lower frame tube of the rear section.
3. Once the frame hooks are over the lower frame tube, lower the front section and pivot the rear section simultaneously. This will engage the frame lockup automatically.
4. Raise the tiller.
5. Connect the front-to-rear cable.
6. Reinstall the battery spacers if applicable. See figure 18.
7. Reinstall the batteries to the battery wells.
8. Connect both battery harnesses. See figure 17.
9. Secure the battery tie-down strap.
10. Reinstall the battery shroud.
11. Reinstall the seat and rotate it into place.



WARNING! After assembly, make absolutely certain the tiller lock knob is in the unlocked position before riding your Scooter.

VII. BASIC TROUBLESHOOTING

Any electromechanical device occasionally requires some troubleshooting. However, most of the problems that may arise can usually be solved with a bit of thought and common sense. Many of these problems occur because the batteries are not fully charged or because the batteries are worn down and can no longer hold a charge.

DIAGNOSTIC CODES

The diagnostic codes for your Scooter are designed to help you perform basic troubleshooting quickly and easily. A diagnostic code will sound and/or flash in the event one of the conditions listed below develops. Depending on the model you own, your Scooter will communicate by one of the coding methods as follows:

1. A diagnostic code will begin, depending on model, with a series of fast beeps and/or flashes directly followed by slower beeps and/or flashes which indicates the actual code. The code is only beeped and/or blinked once. To repeat the diagnostic code, remove the key, then reinsert it and turn it to the “on” position, **OR**
2. A diagnostic code will identify the condition, pause, then repeat the code. The diagnostic code will continue to alert you in this manner until the scooter is turned off.

NOTE: Your scooter will not run unless the code condition is resolved and the scooter has been turned off, then turned back on.

FAULT CODE	CONDITION	SOLUTION
■ (1)	Battery charge is low.	Charge batteries as soon as possible.
■■ (2)	Battery charge is too low.	Charge batteries.
■■■ (3)	The scooter’s battery voltage is too high to operate the scooter, or the charger is still connected to the off-board charger port.	Unplug charger and/or turn key off, then back on again.
■■■■ (4)	Current limit time out.	Turn the scooter off for a few minutes, then turn your scooter back on.
■■■■■ (5)	The manual freewheel lever is in the (forward) freewheel position.	Remove the key from the key switch, then push the manual freewheel lever to the drive (rearward) position and restart your scooter.
■■■■■■ (6)	Throttle control lever not at center position at start-up.	Verify that the batteries are fully charged. If the batteries are fully charged, then return the throttle control lever to center position, turn scooter off then back on.
■■■■■■■ (7)	Speed pot error.	Contact your authorized Provider for assistance.
■■■■■■■■ (8)	Motor volts error.	Contact your authorized Provider for assistance.
■■■■■■■■■ (9)	Other internal errors.	Contact your authorized Provider for assistance.

Figure 27. Models with Tiller Console

What if all the systems on my scooter seem to be dead?

- Make certain that the key is in the “on” position.
- Check that the batteries are fully charged.
- Push in the main circuit breaker reset button. See II. “Your Scooter.”
- Make certain that both battery harnesses and the front-to-rear harness are firmly connected.
- Be sure the power down timer feature has not been activated. See IV. “Operation.”

VII. BASIC TROUBLESHOOTING

FAULT CODE	CONDITION	SOLUTION	ERROR MESSAGE
1	Batteries need charging	Charge batteries as soon as possible.	N/A
2	Low voltage; batteries need charge immediately	Charge batteries as soon as possible.	Lo BAT
3	Over voltage	Unplug charger and/or turn scooter off, then back on.	HI BAT
4	Over current	Turn scooter off for a few minutes, then turn scooter back on.	HI CUR
5	Park brake fault	Remove the key from the key switch, then push the manual freewheel lever to the drive (rearward) position and restart your scooter.	BRAKE
6	Throttle control lever not centered at start-up	Return the throttle control lever to center position, turn scooter off, then back on.	T POT
7	Throttle control lever broken or faulted	Contact your authorized Provider.	T POT
8	Motor fault	Contact your authorized Provider.	MOTOR
9	Other fault	Contact your authorized Provider.	OTHER

Figure 28. Model 614 with LCD Control Panel

What if my scooter does not move when I engage the throttle control lever?

- When the manual freewheel lever is pushed forward, the brakes are disengaged and all power to the motor/transaxle assembly is cut.
- Push rearward on the manual freewheel lever, turn the scooter off, and then turn the scooter on to return to normal scooter operation.

What if the main circuit breaker repeatedly trips?

- If the main circuit breaker trips repeatedly, see your authorized Provider for service.
- Charge the batteries more frequently. See III. “Batteries and Charging.”
- See III. “Batteries and Charging” or the additional “Product Specifications Sheet” for information about your scooter’s battery type.

What if the battery condition meter dips way down and the motor surges or hesitates when I engage the throttle control lever?

- Fully charge your scooter’s batteries. See III. “Batteries and Charging.”

If you experience any problems with your scooter that you are not able to solve, immediately contact your authorized Provider for information, maintenance, and service.

VIII. CARE AND MAINTENANCE

Your scooter requires a minimal amount of care and maintenance. If you do not feel confident in your ability to perform the maintenance listed below, you may schedule inspection and maintenance at your authorized Provider. The following areas require periodic inspection and/or care and maintenance.

TIRE PRESSURE

- If equipped with pneumatic tires, always maintain the psi/bar/kPa air pressure rating indicated on each tire.



WARNING! It is important that the psi/bar/kPa air pressure rating indicated on each tire be maintained in pneumatic tires at all times. Do not underinflate or overinflate your tires. Low pressure may result in loss of control, and overinflated tires may burst. Failure to maintain the psi/bar/kPa air pressure rating indicated on the tires at all times may result in tire and/or wheel failure.

- Regularly inspect your scooter's tires for signs of damage or wear.

EXTERIOR SURFACES

Bumpers, tires, and trim can benefit from an occasional application of a rubber or vinyl conditioner.



WARNING! Do not use a rubber or vinyl conditioner on the scooter's vinyl seat or tire tread, as this may cause them to become dangerously slippery.

CLEANING AND DISINFECTION

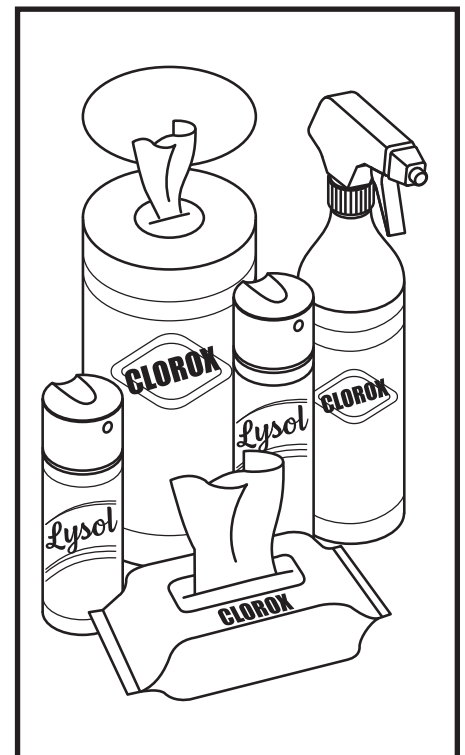
Precautions must be taken when cleaning equipment/devices to lower the risk of spreading infection. This is to limit the spread of illness and other potentially infection material (OPIM) (blood components).

- Use a damp cloth and mild, non-abrasive cleanser to clean the plastic and metal parts of your scooter. Avoid using products that may scratch the surface of your scooter.
- If necessary, clean your product with an approved disinfectant. Make sure the disinfectant is safe for use on your product before application.

HOW TO CLEAN/DISINFECT EQUIPMENT:

HARD/SOFT SURFACES (Plastic shrouds, metal framing, seat fabric, tires, armrests and footplate mats, as applicable)

- For hard/soft surfaces, remove visible contamination if present.
 - For plastic and metal use Lysol®/Clorox® disinfecting spray/wipes and other qualified SARS-CoV-2 disinfecting products.
 - For other vinyl surfaces, clean with vinyl safe disinfecting wipes or solutions.
 - Suggested Disinfectants
 - Birex® SE Disinfectant, Bleach-Rite® Disinfecting Spray, Citrace® Germicide
 - Dispatch® Spray Hospital Cleaner Disinfectant with Bleach
 - Diluted Bleach Solution (10% dilution or less); Note: Bleach with pH factor between 7 and 9 is suitable; a product with a pH of 10.5 or higher may damage the vinyl surface integrity over an extended period of time.
 - Disinfecting Wipes
 - Clorox, Green Works, PDI Sani-Cloth HB Wipes
 - Lysol, Oxivir, Virox, and CaviWipes.
 - For Tire cleaning, clean with off the shelf tire/wheel cleaners



VIII. CARE AND MAINTENANCE

ELECTRONICS (Joystick controller, enhanced displays, touch screens, remote controls, keyboards, cell phones and tablets, as applicable)

- For electronics, remove visible contamination if present.
 - Turn off device and disconnect batteries.
 - Never spray any liquids directly into the product(s).
 - Moisten a microfiber cloth with a mixture of 70% isopropyl alcohol/30% water solution. The cloth should be damp, but not dripping or excessively wet. Dry surfaces thoroughly to avoid pooling of liquids and prior to boxing.

WARNING! Follow all safety instructions for the proper use of the disinfectant and/or cleaning agent before applying it to your product. Failure to comply may result in skin irritation or premature deterioration of upholstery and/or power chair finishes.



WARNING! Never use any cleaning or disinfecting agent, solvent, lubricant, or any other product on the brake pads, brake discs, transaxle, motor/gearbox of your mobility product. Doing so may damage the components and/or cause them not to function properly. Property injury and/or personal injury may result.

WARNING! Never hose off your power chair or place it in direct contact with water. Your power chair has a painted, ABS plastic body shroud that allows it to be easily wiped clean with a damp cloth.

WARNING! Never use any chemicals to clean a vinyl seat, as they may cause the seat to become slippery or dry out and crack. Use soapy water and dry the seat thoroughly.

BATTERY TERMINAL CONNECTIONS

- Make certain that the terminal connections remain tight and uncorroded.
- The batteries must sit flat in the battery wells.
- The battery terminals should face away from the seat post.

WIRING HARNESSES

- Regularly check all wiring connections.
- Regularly check all wiring insulation, including the charger power cord, for wear or damage.
- Have your authorized Provider repair or replace any damaged connector, connection, or insulation that you find before using your scooter again.



PROHIBITED! Even though the scooter has passed the necessary testing requirements for ingress of liquids, you should keep electrical connections away from sources of dampness, including direct exposure to water or bodily fluids and incontinence. Check electrical components frequently for signs of corrosion and replace as necessary.



WARNING! Do not pull on electrical harnesses directly to detach them from the scooter. Always grasp the connector itself when disconnecting the harness to prevent wire damage.

VIII. CARE AND MAINTENANCE

WHEEL REPLACEMENT

If your scooter is equipped with pneumatic tires and you have a flat tire, you can have the tube replaced. Contact your authorized Provider for information regarding replacement wheels for your scooter.

WARNING! Wheels on your scooter should only be serviced/replaced by a qualified technician.

WARNING! Be sure that the key is removed from the key switch and the scooter is not in freewheel mode before performing this procedure.



WARNING! When changing a pneumatic tire, remove only the lug nuts, then remove the wheel. If any further disassembly is required, deflate the tire COMPLETELY or it may explode.

Follow these easy steps for a quick and safe repair for pneumatic tires:

1. Remove the key from the key switch and ensure your scooter is not in freewheel mode.
2. Elevate the side of the scooter of which you are removing the tire. Place wooden blocks under the frame to elevate the scooter.
3. If you are replacing the tube, deflate the tire **completely** before taking it off the hub.
4. Remove the lug nuts from the hub. **See figure 29.**
5. Remove the drive wheel from the axle.
6. Remove the screws and separate the rim halves. **See figure 30.**
7. Remove the old tube from the pneumatic tire and replace it with a new tube.
8. Reassemble the rim halves.
9. Slide the wheel back onto the hub.
10. Reinstall the lug nuts and tighten.

WARNING! Ensure that the axle key is properly installed into the axle slot when mounting the wheel. If not installed securely, the braking system is disengaged which may cause personal injury and/or product damage may result.



11. Inflate pneumatic tires to the psi/bar/kPa air pressure rating indicated on each tire.
12. Remove the blocks from beneath the scooter.

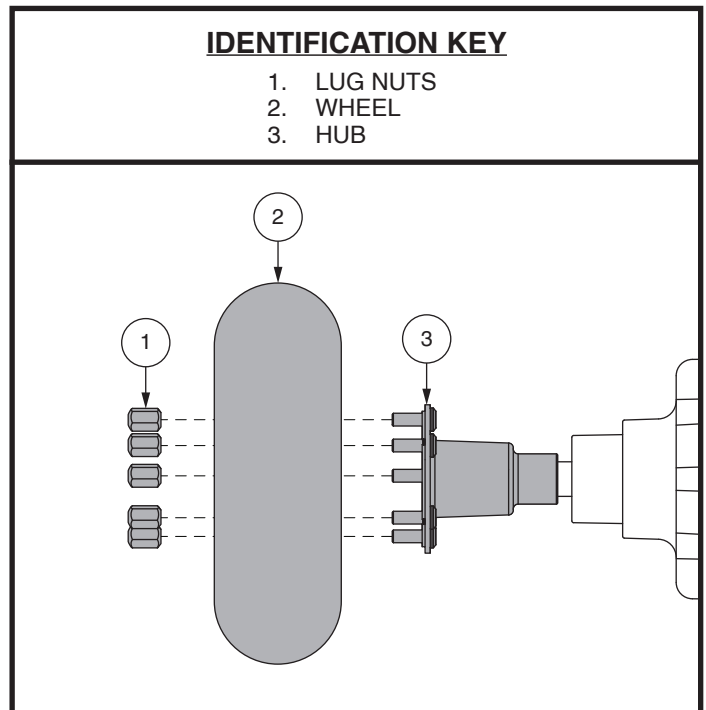


Figure 29. Wheel Replacement

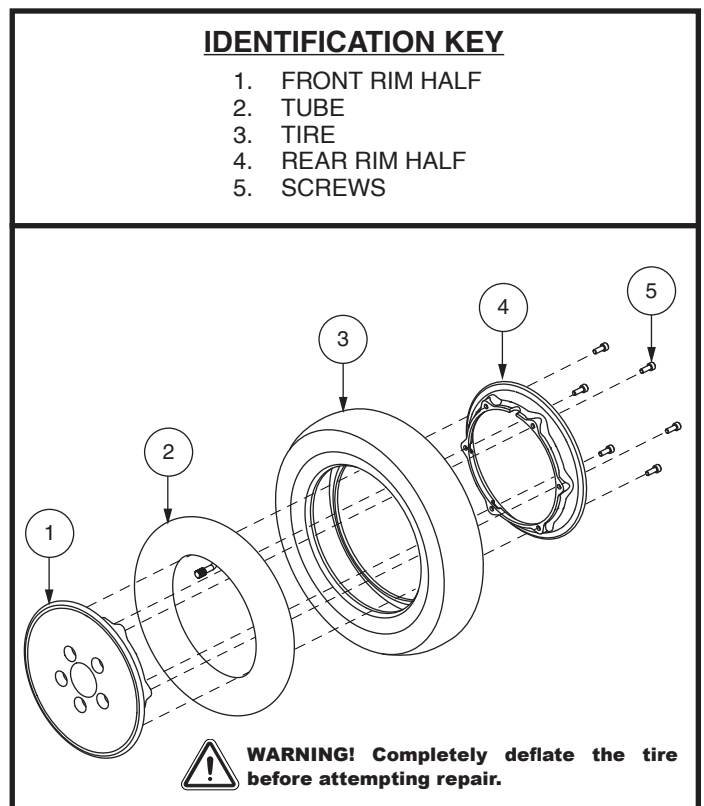


Figure 30. Pneumatic Drive Wheel Disassembly/Assembly

VIII. CARE AND MAINTENANCE

DAILY CHECKS

- With the power turned off, check the throttle. Make sure it is not bent or damaged and that it returns to the neutral position when you release it. Do not try to repair it. See your authorized Provider if there is a problem.
- Visually inspect the tiller cable. Make sure that it is not frayed, cut, or has any wires exposed. See your authorized provider if there is a problem.
- Check for flat spots on solid tires. Flat spots could adversely affect stability.
- Inspect the armrests for loose hardware, stress points, or damage. See your authorized Provider if there is a problem.
- Check the brakes. This test should be carried out on a level surface with at least 3 feet (1 meter) of clearance around your scooter.

To check the brakes:

1. Turn on the power and turn down the speed level of your Scooter.
2. After one second, check the battery condition meter. Make sure that it remains on.
3. Slowly pull the throttle forward until you hear the electric brakes click. Immediately release the throttle. You must be able to hear the electrical brake operating within a few seconds of throttle movement. Repeat this test by pulling the throttle in the opposite direction.

WEEKLY CHECKS

- Inspect the controller and charger connectors for corrosion. Contact your authorized Provider if necessary.
- Check for proper tire inflation, if equipped with pneumatic tires. If a tire does not hold air, contact your authorized Provider for replacement of the tube.

MONTHLY CHECKS

- Check that the anti-tip wheels do not rub the ground when you operate the Scooter.
- Check for extreme wear on the anti-tip wheels. Replace them as necessary.
- Check for tire wear. See your authorized Provider for repair.
- Keep you Scooter clean and free of foreign material, such as mud, dirt, hair, food, drink, etc.

YEARLY CHECKS

Take your Scooter to your authorized Provider for yearly maintenance, especially if you use your Scooter on a daily basis. This helps ensure that your Scooter is functioning properly and helps prevent future complications.

ABS PLASTIC SHROUDS

If your Scooter has a body shroud with a **glossy finish**, the body shroud has been sprayed with a clear sealant coating. You can apply a light coat of car wax to help it retain its high-gloss appearance. If your Scooter has a body shroud with a **matte finish**, use **ONLY** products developed for matte-finish paint. Do not use wax, detail spray, ArmorAll®, or any product made for glossy paint.



WARNING! Carefully choose the correct product to protect the finish of your Scooter's shroud(s). ONLY products developed for matte-finish paint should be used on shrouds with a matte finish. Failure to follow this warning may result in damage to the shroud's matte paint finish.

AXLE BEARINGS AND THE MOTOR/TRANSAXLE ASSEMBLY

These items are all prelubricated, sealed, and require no subsequent lubrication.

MOTOR BRUSHES

The motor brushes are housed inside of the motor transaxle/assembly. They should be inspected periodically for wear by your authorized Provider.

CONSOLE, CHARGER AND REAR ELECTRONICS

- Keep these areas free of moisture.
- Allow these areas to dry thoroughly if they have been exposed to moisture before operating your scooter again.

VIII. CARE AND MAINTENANCE

BRAKE PADS

The brake pads on your scooter should be inspected periodically for wear. Once the pads reach 2 mm or 1/16-th of an inch in thickness, they should be replaced. If any of the brake pads needs to be replaced, then it is best to replace all the brake pads at the same time. Contact your authorized Provider for more information on replacing the brake pads.

FUSE REPLACEMENT

In the event a fuse should cease to work:

1. Remove the fuse by pulling it out of its slot.
2. Examine the fuse to be sure it is blown. See figure 31.
3. Insert a new fuse of the same rating.



WARNING! The replacement fuse must exactly match the rating of the fuse being replaced. Failure to use properly rated fuses may cause damage to the electrical system.

NYLON LOCK NUT REPLACEMENT

Any nylon insert lock nut removed during the periodic maintenance, assembly, or disassembly of the scooter must be replaced with a new nut. Nylon insert lock nuts should not be reused as it may cause damage to the nylon insert, resulting in a less secure fit. Replacement nylon insert lock nuts are available at local hardware stores or through your authorized Provider.

STORING YOUR SCOOTER

If you plan on not using your scooter for an extended period of time, it is best to:

- Fully charge its batteries prior to storage.
- Disconnect the batteries from the scooter.
- Store your scooter in a warm, dry environment.
- Avoid storing your scooter where it will be exposed to temperature extremes.
- Although your scooter can withstand short-term storage temperatures between -40°F (-40°C) to 149°F (65°C), it is recommended that long-term storage temperatures be between -13°F (-25°C) and 122°F (50°C). Ideal storage conditions are 68°F (20°C) to 70°F (21°C) wherever possible, but we realize that is not always feasible due to different climates and environments.



WARNING! Always protect batteries from freezing temperatures and never charge a frozen battery. Charging a frozen battery can result in damage to the battery.

Batteries that are regularly and deeply discharged, infrequently charged, stored in extreme temperatures, or stored without a full charge may be permanently damaged, causing unreliable performance and limited service life. It is recommended that you charge the scooter batteries periodically throughout periods of prolonged storage to ensure proper performance.

You may wish to place several boards under the frame of your scooter to raise it off of the ground during periods of prolonged storage. This takes the weight off the tires and reduces the possibility of flat spots developing on the areas of the tires contacting the ground.

DISPOSAL OF YOUR SCOOTER

Your scooter must be disposed of according to applicable local and national statutory regulations. Contact your local waste disposal agency or authorized Provider for information on proper disposal of packaging, metal frame components, plastic components, electronics, batteries, neoprene, silicone, and polyurethane materials.



WARNING! Plastic bags are a suffocation hazard. Dispose of plastic bags properly and do not allow children to play with them.

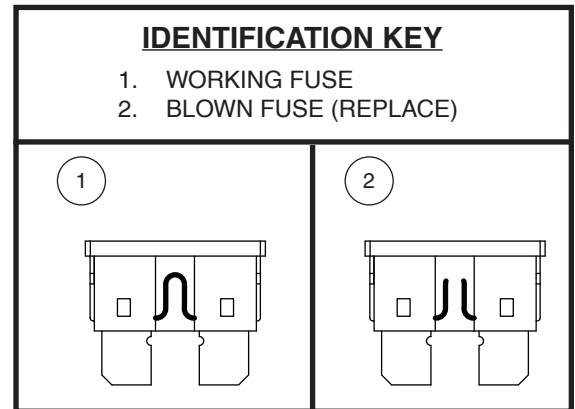


Figure 31. Fuse Replacement

NOTES

EN

NOTES



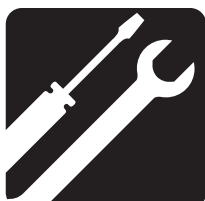
MONTAGE



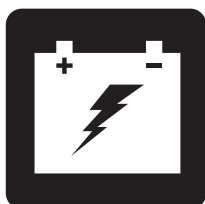
FONCTIONNEMENT



CONFORT



ENTRETIEN



RECHARGE DES BATTERIES



SERIE DE SCOOTER DE TAILLE PLEIN

MANUEL DE L'UTILISATEUR

TABLEAU DES CARACTERISTIQUES DU SCOOTER

Modèle	Style de console			Style de châssis (Assemblage/Demontage)		Roulettes antibascul	Les Options*			Disjoncteur principal (catégorie)		
	A	B	C	Châssis d'une seule pièce	Châssis de 2 pièces	Inclus	Commutateur Hi-Lo	Levier de frein à main	Mât suspension du siège	Bouton du disjoncteur principal	Levier du disjoncteur	Réinitialisation automatique
123			•	•				•		•		
124			•	•				•		•		
133			•	•				•		•		
134			•	•				•		•		
143			•	•				•		•		
144			•	•				•		•		
3120			•	•				•		•		
3130			•	•				•		•		
3140			•	•				•		•		
613	•				•	•	•	•	•	•		
614	•	•		•		•	•				•	•
713	•				•	•	•	•	•	•		
7132	•			•		•	•	•		•		
714	•			•		•	•	•			•	•
713ES	•			•		•	•	•		•		

*NOTE: Les options du Scooter varient par pays. Veuillez contacter votre fournisseur pour déterminer quelles options sont disponibles pour votre Scooter.

NOTE: Veuillez-vous familiariser avec le numéro du modèle de votre Scooter. Le numéro peut être trouvé sur la feuille de spécifications du produit dans le paquet du propriétaire. Tout au long de ce manuel, les attributs du scooter sont identifiés par le numéro du modèle (colonne à l'extrême gauche du tableau des caractéristiques du Scooter). Sachant que le numéro du modèle de votre appareil vous aidera à déterminer les caractéristiques uniques de votre Scooter.

UTILISATION PRÉVUE

L'utilisation prévue de cet appareil Pride Mobility Products est de fournir une assistance à la mobilité aux personnes à mobilité réduite qui ont la capacité de faire fonctionner un scooter de mobilité motorisé dans un environnement intérieur/extérieur.

CONCERNANT L'UTILISATION D'APPAREILS FOURNIS SUR ORDONNANCE

Nos produits de mobilité et leurs composants sont disponibles à la vente au détail (« en vente libre ») ou sur ordonnance. Lorsque prescrit, l'énoncé suivant s'applique.



ATTENTION! En vertu de la loi fédérale cet appareil ne peut être vendu que par un médecin ou sur prescription médicale ou par d'autres personnes certifiées autorisées par la loi de l'État (États-Unis uniquement) ou de la région dans laquelle ces personnes sont spécialisées dans l'utilisation ou peuvent prescrire l'utilisation de cet appareil.

NOTE: Ce manuel a été préparé à partir des spécifications et informations disponibles au moment de sa publication. Nous réservons le droit d'apporter des changements lorsque il est nécessaire. Certains changements peuvent causer de légères variations entre les illustrations, les explications de ce manuel et l'appareil que vous avez acheté. La dernière version de ce manuel est sur notre site Internet.

NOTE: Ce produit répond aux exigences et respecte les directives des normes WEEE, RoHS et REACH.

NOTE: Ce produit conforme à la classification IPX4 (IEC 60529).

NOTE: Le Scooter et ses composants ne sont pas fabriqués avec du latex de caoutchouc naturel. Consultez le fabricant en ce qui concerne les accessoires après-vente.

TABLE DES MATIERES

CONSIGNES DE SECURITE	53
I. SECURITE	54
II. VOTRE SCOOTER	57
III. BATTERIES ET RECHARGE	75
IV. FONCTIONNEMENT	84
V. REGLAGES CONFORT	86
VI. MONTAGE ET DEMONTAGE	90
VII. PROBLEMES ET SOLUTIONS	92
VIII. SOINS ET ENTRETIEN	94

CONSIGNES DE SECURITE



MISE EN GARDE! Votre détaillant autorisé ou un technicien qualifié doit faire le montage initial de ce scooter et suivre toutes les procédures énumérées dans ce manuel.

Les symboles suivants sont utilisés tout au long de ce manuel pour identifier les mises en garde et moments d'attention particulière. Il est important de les comprendre et de les suivre à la lettre.



MISE EN GARDE! Indique une condition/situation potentiellement dangereuse. Vous devez respecter les consignes sous peine de vous blesser, de causer des dommages ou un mauvais fonctionnement. Ce pictogramme apposé sur le produit est de couleur noire sur un triangle jaune avec bordure noire.



OBLIGATOIRE! Ces actions doivent être exécutées selon les consignes sous peine de vous blesser, et/ou d'endommager l'appareil. Ce pictogramme apposé sur le produit est de couleur blanche avec un point bleu et bordure blanche.



INTERDIT! Ces actions sont interdites. Vous ne devez sous aucune considération, entreprendre ces actions. Ces actions peuvent entraîner des blessures et/ou dommages à votre équipement. Ce pictogramme apposé sur le produit est de couleur noire avec un rond rouge et barre rouge.

I. SECURITE

PICTOGRAMME DE SECURITE

Les pictogrammes ci-dessous sont utilisés sur le scooter pour indiquer les actions obligatoires, mises en garde et actions prohibées. Il est très important de les lire et de bien les comprendre.

NOTE: Vous trouverez davantage d'avertissements identifiés et expliqués dans le guide de la sécurité du consommateur inclus avec votre scooter. Veuillez-vous familiariser avec tous les avertissements et les consignes de sécurité contenus dans le guide de la sécurité du consommateur et référez-vous souvent à cette ressource.



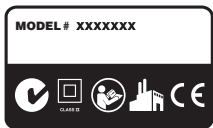
Lisez et respectez les consignes et informations contenues dans ce manuel.



Fabriqué en



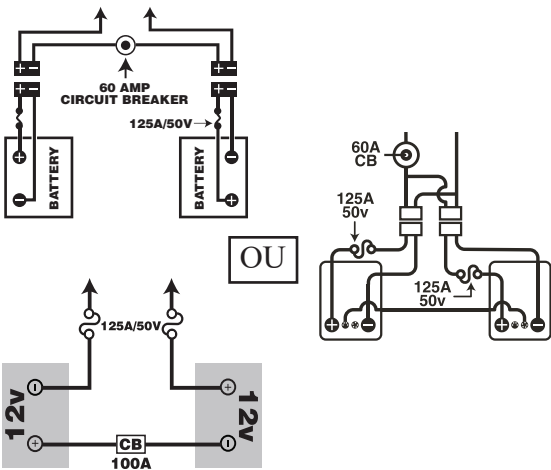
Indique les points de fixation du scooter OCCUPES.



Plaques des information



Ce scooter n'est pas conforme à la norme ISO 7176-19 pour être occupé (personne prenant place sur le siège du véhicule) pendant le transport dans un véhicule en marche. Ne vous assoyez pas dans votre scooter lorsque celui-ci est dans un véhicule en mouvement.



Configuration des batteries:

+ = Borne positive (Rouge)

- = Borne négative (Noir)

Branchez le fil rouge à la borne positive (+).

Branchez le fil noir à la borne négative (-).



Rechargez les batteries complètement avant l'utilisation.

Retirez la clé de votre scooter lorsque celui-ci est laissé sans surveillance.

I. SECURITE

CONSIGNES DE SECURITE GENERALES



MISE EN GARDE! Ne prenez pas votre scooter pour la première fois sans avoir lu et compris les instructions et consignes de sécurité contenues dans ce manuel et le Guide de sécurité du consommateur.

Votre scooter est un appareil dernier cri d'aide à la mobilité dans la vie quotidienne. Nous construis toute une collection de scooters afin de satisfaire les besoins de chacun. Prenez note que le choix final et la décision d'achat sont la responsabilité de l'utilisateur et du/des professionnels de la santé tels que le médecin, l'ergothérapeute etc.

Dans ce manuel, il est pris pour acquis que le scooter a été réglé par un expert en mobilité, que celui-ci a également conseillé le professionnel de la santé au sujet de l'utilisation de ce produit.

Dans certaines situations, (conditions médicales) l'utilisateur du scooter aura besoin d'aide pour acquérir l'habileté nécessaire à la conduite de son appareil. Le moniteur peut être un membre de la famille ou un professionnel de la santé qui aura reçu une formation sur l'utilisation d'un véhicule motorisé personnel comme aide à la vie quotidienne.

Lorsque vous commencerez à utiliser votre scooter, vous serez confronté à des situations qui demandent une certaine habileté. Prenez alors votre temps et procédez lentement, vous développerez de la facilité pour manoeuvrer dans les ascenseurs, ouvrir les portes, négocier les rampes d'accès et pour rouler sur des surfaces modérément difficiles.

Des informations générales complémentaires peuvent être trouvées sur les fiches et les livrets d'information supplémentaires incluses dans le paquet du propriétaire. Veuillez lire et revoir l'information entièrement, et gardez-la à portée de la main pour future référence.

Vous trouverez ci-dessous des conseils, consignes et mises en garde qui vous seront utiles afin de vous acclimater à la conduite sécuritaire du scooter.

AVANT DE PRENDRE LA ROUTE

Apprenez à connaître les capacités et limites de votre scooter. Faites les vérifications requises avant chaque sortie pour vous assurer d'un fonctionnement sans problème et sécuritaire.

Inspectez les points suivants avant de prendre la route:

- Vérifiez la pression dans les pneus. Assurez-vous qu'ils ne sont pas endommagés ou excessivement usés.
- Inspectez les connexions électriques. Vérifiez qu'il n'y a pas de rouille et qu'elles soient bien serrées.
- Vérifiez le câble et les fils. Assurez-vous qu'elles soient branchées de façon sécuritaire.
- Vérifiez les freins afin de s'assurer qu'ils fonctionnent correctement.
- Vérifiez le compteur d'état de la batterie pour s'assurer que les batteries sont complètement chargées.
- Assurez-vous que la manette de déblocage manuelle est en mode d'entraînement avant de s'asseoir sur le scooter.
- Avant de conduire votre scooter, en particulier après l'avoir entreposé, serrez complètement le levier de frein à main cinq (5 à 7) fois pour confirmer le bon fonctionnement du frein à main.

Si vous découvrez un problème, contactez votre détaillant autorisé pour obtenir de l'aide. Référez-vous aux informations de contact qui sont incluses dans votre paquet du propriétaire.

I. SECURITE

INFORMATIONS SUR LE FREINAGE

Votre scooter est équipé de puissants systèmes de freins:

- Régénératif: Utilise de l'électricité pour freiner le scooter rapidement lorsque vous relâchez l'accélérateur.
- Frein de stationnement à disque: S'active mécaniquement dès que le frein régénératif a ralenti le scooter et presque arrêté, ou lorsque le contact est coupé pour quelque motif que ce soit.
- (Facultatif) Frein manuel: Vous donne de la puissance de freinage supplémentaire lorsque vous le comprimez. Voir la section II. "Votre Scooter."

LEVIER DE FREIN A MAIN (SI ÉQUIPÉ)

Le levier de frein à main contient du liquide hydraulique. Lorsqu'une pression est appliquée sur le levier, le liquide est poussé dans la tubulure pour actionner les coussins de frein vers le disque. Le module de levier à frein est entièrement scellé et le liquide hydraulique ne devrait pas fuir. Cependant, vous devez respecter les consignes de sécurité suivantes si le module venait à se fendiller ou être endommagé.

- Ne touchez pas au liquide sans avoir d'abord mis des gants de protection et des lunettes de sécurité.
- Pour de petites fuites, recouvrez le liquide avec du sable, de la terre sèche ou tout autre matériel non combustible. Lorsque le liquide est absorbé, placez le matériel dans un sac de plastique et contactez votre organisme pour connaître les règlements par la mise au rebut. Ne jetez pas le matériel dans un cours d'eau ou dans les égouts.
- En cas de contact avec les yeux, retirez les lentilles cornéennes, rincez doucement à l'eau fraîche en soulevant occasionnellement les paupières. Si des larmoiements, des rougeurs ou de la douleur persistent, contactez un médecin.
- Si vous êtes éclaboussé, retirez tous les vêtements souillés. Asséchez la peau et lavez-la avec de l'eau et du savon. Voyez un médecin si la peau semble endommagée ou si une irritation devient persistante. Lavez à fond les vêtements souillés et mettez au rebut les vêtements en cuir souillé.
- En cas d'ingestion, ne tentez pas de provoquer un vomissement et ne buvez pas de liquide sauf sur avis d'un médecin. Ne tentez jamais de donner un élément par la bouche à une personne qui n'est pas entièrement consciente. Demandez de l'aide médicale immédiatement.
- En cas d'exposition à la vapeur, déplacez la personne affectée vers un endroit où l'air est frais. Si la personne ne respire plus, donnez-lui immédiatement la respiration artificielle. Si la personne respire difficilement, celle-ci doit recevoir d'un technicien qualifié de l'oxygène à 100% humidifié. Demandez de l'aide médicale immédiatement et gardez la personne affectée au chaud et au repo.
- En cas d'incendie, utilisez un extincteur à la poudre sèche, à la mousse, au dioxyde de carbone ou de la brume d'eau pour l'éteindre.

MISE EN GARDE! Ne modifiez pas et ne tentez pas de remplacer le liquide hydraulique. En cas de dommages, respectez les consignes de sécurité énoncées dans cette section et contactez votre détaillant autorisé pour faire remplacer le frein à main. Le module hydraulique de frein à main ne devrait être remplacé ou réparé que par votre détaillant autorisé.



MISE EN GARDE! Le module de frein à main contient du liquide hydraulique pouvant causer une légère irritation de la peau, du nez, des bronches et des yeux. Ne tentez pas de régler ou de réparer le module hydraulique sans avoir d'abord mis des gants, et des lunettes de protection. Lavez vos mains après avoir manipulé le module.

II. VOTRE SCOOTER

TABLEAU DE BORD

Le tableau de la console regroupe toutes les commandes servant au fonctionnement de votre scooter, incluant le bouton de réglage de vitesse, la clé de contact, la jauge à batteries, klaxon, bouton des clignotants, commutateurs des accessoires et le levier d'accélérateur. S.V.P. prenez note que certaines caractéristiques sont facultatives et peuvent ne pas se retrouver sur votre scooter. **Voir la figure 1.**

NOTE: Si votre scooter est équipé d'un panneau de commande LCD, veuillez passer à la page de cette section qui commence **TABLEAU DE BORD: PANNEAU DE COMMANDE LCD.**

NOTE: Si votre scooter est équipé d'un frein à main en option, veuillez passer à la page de cette section qui commence **CONSOLE DE BARRE : LEVIER DE FREIN À MAIN.**



INTERDIT! N'exposez pas le tableau de bord à l'humidité. Si le tableau venait à être mouillé, ne tentez pas d'utiliser votre scooter avant que le tableau ait été asséché à fond.

CLE D'IDENTIFICATION

- | | |
|----------------------------------|------------------------------------|
| 1. KLAXON | 8. BOUTON DE REGLAGE DE LA VITESSE |
| 2. *CLIGNOTANT (GAUCHE) | 9. JAUGE A BATTERIES |
| 3. *BOUTON FEUX D'URGENCE | 10. CLE DE CONTACT |
| 4. COMMUTATEUR DES FEUX ET PHARE | 11. MIROIR ET PRISES POUR MIROIR |
| 5. *CLIGNOTANT (DROIT) | 12. *LEVIER DE RÉGLAGE DU GUIDON |
| 6. *COMMUTATEUR HI-LO | 13. *LEVIER DE FREIN A MAIN |
| 7. LEVIER D'ACCELERATEUR | 14. *VERROUILLAGE DU FREIN |

*OPTIONS FACULTATIVES DISPONIBLE SUR CERTAIN MODELES

L'EMPLACEMENT DE L'INTERRUPTEUR COMMUTATEUR HI-LO PEUT VARIER EN FONCTION DU MODELE

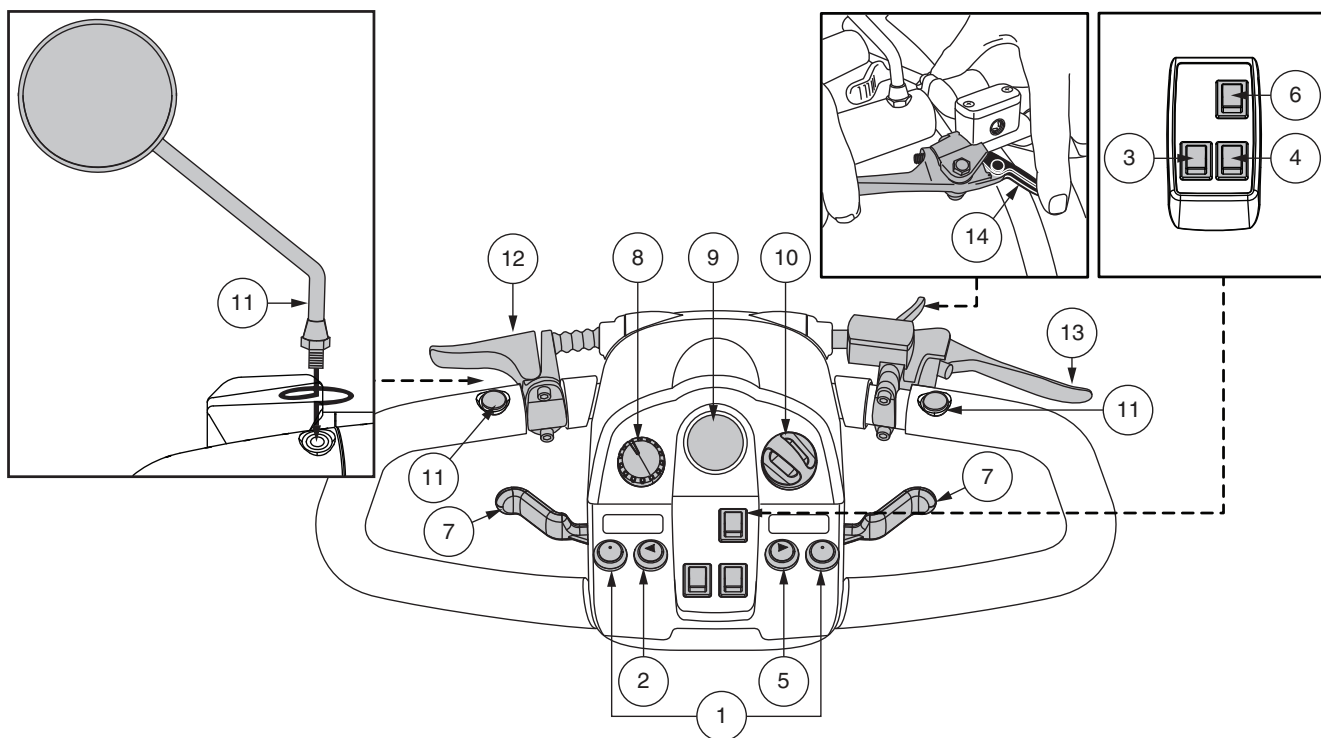


Figure 1. Tableau de bord A

II. VOTRE SCOOTER

Klaxon

Pesez sur le bouton pour klaxonner. Assurez-vous que la clé est sur le contact et que le scooter est allumé. N'hésitez pas à klaxonner si vous croyez pouvoir éviter un accident.

Boutons des clignotants

Utilisez ces boutons pour allumer ou éteindre les clignotants gauche ou droit (couleur ambre).

- Pesez sur le bouton gauche pour allumer le clignotant gauche. Le voyant lumineux du clignotant de la jauge à batteries clignotera.
- Pesez sur le bouton droit pour allumer le clignotant droit. Le voyant lumineux du clignotant de la jauge à batteries clignotera.
- Les clignotants s'arrêtent automatiquement après un moment.

Commutateur des feux et du phare

Pour le fonctionnement des feux et du phare.

- Basculez le bouton vers l'avant pour allumer les feux.
- Basculez le bouton vers l'arrière pour éteindre les feux.



MISE EN GARDE! Vous devez allumer les feux (jour et nuit) lorsque la visibilité est mauvaise.

Bouton des feux d'urgence

Ce bouton commande les feux d'urgence de votre scooter.

- Basculez le bouton vers l'avant pour allumer les feux.
- Basculez le bouton vers l'arrière pour éteindre les feux.

Commutateur Hi-Lo

Pour changer la vitesse maximale du scooter entre les réglages Hi/Lo. Basculer l'interrupteur vers l'avant sur (Hi) pour atteindre la vitesse maximum préprogrammée pour le scooter. Basculer l'interrupteur vers l'arrière (Low) pour atteindre la moitié de la vitesse maximum programmée pour le scooter.

Leviers d'accélérateur

Ces leviers commandent la marche avant ou arrière du scooter selon la vitesse maximale déterminée par le bouton de réglage de la vitesse.

NOTE: Les instructions d'utilisation du levier de commande d'accélérateur décrites ci-dessous s'appliquent aux scooters dans une configuration standard. Si la programmation de votre scooter a été modifiée de quelque manière que ce soit par un fournisseur, contactez-le pour obtenir des instructions sur le fonctionnement correct du niveau de papillon.

Pour rouler vers l'avant choisissez l'une ou l'autre de ces méthodes:

- Utilisez votre pouce gauche pour appuyer sur le levier gauche et avancer.
- Utilisez vos doigts de la main droite pour tirer sur le levier droit et avancer.

Pour rouler vers l'arrière choisissez l'une ou l'autre de ces méthodes:

- Utilisez votre pouce droit pour appuyer sur le levier droit et reculer.
- Utilisez vos doigts de la main gauche pour tirer sur le levier gauche et reculer.

Relâchez le levier complètement afin que le scooter s'immobilise complètement avant d'engager le levier opposé et changer de sens de roulement. Le levier retourne de lui-même au centre pour stopper le scooter afin que les freins s'engagent automatiquement.

Bouton de réglage de la vitesse maximale

Ce bouton vous permet de présélectionner la vitesse maximale désirée.

- L'image de la **tortue** représente la vitesse minimale.
- L'image du **lièvre** représente la vitesse maximale.

II. VOTRE SCOOTER

Jauge à batteries

Lorsque la clé est enfoncée et tournée dans la sens des aiguilles d'une montre pour mettre sous tension votre scooter, la jauge indique le voltage approximatif des batteries. Pour de plus amples informations sur la recharge des batteries, voir la section III. "Batteries et recharge".

Voyant d'état

Celui-ci vous alerte en cas de problèmes électrique. Le voyant demeure constamment allumé lorsque le scooter est en marche. Si un problème électrique survient, le voyant clignotera selon un code établi afin de vous avertir et vous informer sur la nature du problème. Voir la section VII. "Problèmes et solutions" pour les codes.

Clé de contact

- Insérez la clé dans le contact et tournez-la dans le sens horaire pour allumer votre scooter.
- Tournez la clé dans les sens opposé pour couper le contact de votre scooter.

MISE EN GARDE! Lors d'une situation d'urgence, positionner l'interrupteur à clé en position OFF (arrêt) pour éteindre le scooter. Soyez prudent. Veuillez noter qu'éteindre le scooter peut provoquer un arrêt brusque du scooter. Pour libérer la condition d'urgence, arrêtez et rétablissez la capacité de conduite du scooter, relâchez le levier de commande de l'accélérateur, puis positionnez l'interrupteur à clé en position ON (marche).



MISE EN GARDE! Si le contact est coupé alors que le scooter est en mouvement, les freins électroniques s'engageront et stopperont le scooter abruptement!

Positionnement et réglage du miroir

Pour plus d'informations sur le positionnement et le réglage de votre miroir, voir section V. "Réglages confort".

Réglage de l'inclinaison du guidon

Pour plus d'informations sur le positionnement et le réglage de votre guidon, voir section V. "Réglages confort".

Levier de frein à main

Ce levier vous procure de la puissance de freinage pour les arrêts d'urgence. Lorsque vous roulez, relâchez l'accélérateur et comprimez doucement le levier de frein à main afin de arrêter le véhicule. L'efficacité du frein à main peut être modifiée en resserrant ou en desserrant la vis de réglage située sur le levier de frein à main.



MISE EN GARDE! Le frein à main est destiné à être utilisé comme système de freinage d'appoint uniquement.

Réceptacle du chargeur externe

Pour charger les batteries, le cordon du chargeur doit être branché dans ce réceptacle. Le réceptacle est situé sur le guidon. Voir la figure 2.

Fusibles du système électrique

Votre scooter est équipé d'une série de fusibles électriques qui protègent le système de recharge externe, le circuit du contact, les éclairages contre une surcharge de courant électrique. Ces fusibles sont de même type que ceux utilisés dans les automobiles et sont situées dans un compartiment sur le guidon. Voir la figure 2.

NOTE: Gardez les espaces électriques bien au sec et libres de saletés.

CLE D'IDENTIFICATION

1. RECEPTACLE DU CHARGEUR EXTERNE
2. FUSIBLE: CHARGEUR EXTERNE
3. FUSIBLE: CLE DE CONTACT
4. FUSIBLE: PHARE INFERIEUR
5. FUSIBLE: FEUX ARRIERES
6. FUSIBLE: CLIGNOTANT (GAUCHE)
7. FUSIBLE: CLIGNOTANT (DROIT)

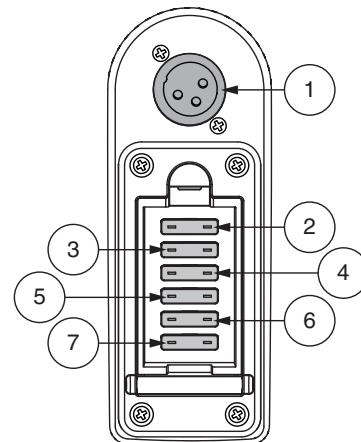


Figure 2. Réceptacle du chargeur externe/ Fusibles de la console du guidon

II. VOTRE SCOOTER

Console de barre : Levier de frein à main

Votre scooter est équipé d'un levier de frein à main qui se trouve sur la barre franche. Voir la figure 1 et la figure 7. Ce levier vous offre une puissance de freinage supplémentaire. Le frein à main est manuel et fonctionne indépendamment du système de freinage régénératif de votre scooter qui est engagé pendant le fonctionnement du scooter en relâchant le levier de commande des gaz.

Pour actionner le levier de frein à main :

1. Relâchez complètement la manette des gaz.
2. Appuyez doucement sur le levier de frein à main pour scooter à un arrêt complet.

NOTE: Vous devez relâcher la manette des gaz avant en serrant le levier de frein à main. Sinon, votre scooter peut ne pas s'arrêter complètement.

NOTE: Le levier de frein à main peut nécessiter un ajustement pour maintenir un bon fonctionnement. Ajustement ne doit être effectué que par votre fournisseur agréé ou un autre technicien qualifié. Contactez votre fournisseur pour plus d'informations

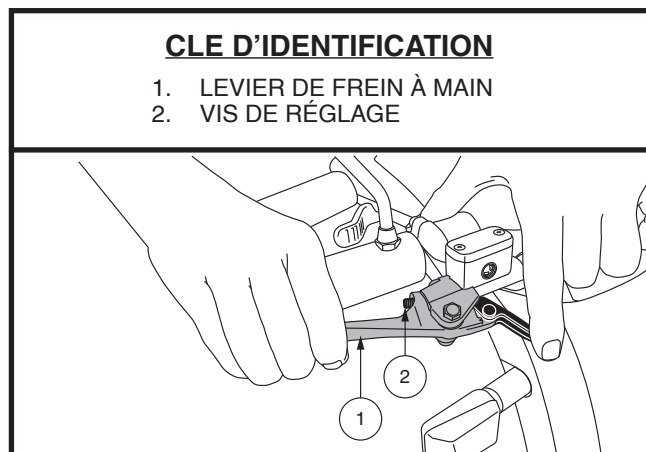


Figure 3. Levier de frein à main

NOTE: L'efficacité du frein à main, c'est-à-dire la rapidité avec laquelle la pression sur le levier de frein à main arrêtera votre scooter, peut être modifiée en serrant ou en desserrant la vis de réglage située sur le levier de frein à main. Voir figure 3.

NOTE: Si votre frein à main est équipé d'une fonction de verrouillage comme illustré à la figure 1 ou à la figure 7, vous pouvez activer la fonction de verrouillage du frein en serrant le levier du frein à main et en tournant ou en poussant le levier de verrouillage pour engager le verrouillage. Pour déverrouiller le frein à main, serrez complètement le levier de frein à main. Voir figure 1 ou figure 7.

NOTE: Si votre frein à main contient du liquide hydraulique, n'essayez pas de modifier ou de remplacer le levier de frein à main ou le liquide hydraulique.

NOTE: Avant de conduire votre scooter, en particulier après l'avoir entreposé, serrez complètement le levier de frein à main cinq à sept (5 à 7) fois pour confirmer le bon fonctionnement du frein à main.

MISE EN GARDE! Le fluide hydraulique peut provoquer une légère irritation de la peau, des yeux et du nez/des bronches. En cas de dommage, contactez votre fournisseur agréé pour le remplacement du frein à main. Le frein à main hydraulique ne doit être entretenu ou remplacé que par votre fournisseur agréé.



MISE EN GARDE! Le frein à main est destiné à être utilisé comme système de freinage supplémentaire au système de freinage régénératif commandé par l'accélérateur, ou pour aider à arrêter le scooter dans le cas où le système de freinage régénératif ne s'enclenche pas. Le frein à main n'est pas destiné à être utilisé comme système de freinage principal. Une mauvaise utilisation ou une mauvaise utilisation du frein à main peut entraîner un accident, une chute, des blessures corporelles/matérielles ou la mort.

II. VOTRE SCOOTER

TABLEAU DE BORD: PANNEAU DE COMMANDE LCD

Le tableau de bord et le guidon inférieur comprennent toutes les commandes nécessaires pour conduire votre scooter, y compris le panneau de commande LCD, les leviers d'accélérateur, la clé de contact et le commutateur du levier d'accélérateur. **Voir la figure 4.**



INTERDIT! N'exposez pas le tableau de bord à l'humidité. Si le tableau venait à être mouillé, ne tentez pas d'utiliser votre scooter avant que le tableau ait été asséché à fond.

NOTE: Toutes les options ne sont pas disponibles sur tous les styles de consoles avec écrans LCD.

Klaxon

Pesez sur le bouton pour klaxonner. Assurez-vous que la clé est sur le contact et que le scooter est allumé. N'hésitez pas à klaxonner si vous croyez pouvoir éviter un accident.

Boutons des clignotants

- Appuyer une fois sur le bouton approprié pour allumer le clignotant. Le clignotant clignote sur l'écran LCD.
- Appuyer sur le même bouton pour l'éteindre.

NOTE: Les clignotants sont programmés pour s'éteindre après 15 secondes. Un bip retentit aussi longtemps que les clignotants sont activés. Voir la figure 5 pour le contrôle du volume.

Boutons des feux

- Appuyer une fois sur le bouton des feux pour activer le système d'éclairage. Le symbole " feux " s'affiche sur l'écran LCD.
- Appuyer de nouveau sur le bouton pour éteindre le système d'éclairage.



MISE EN GARDE! Vous devez allumer les feux (jour et nuit) lorsque la visibilité est mauvaise.

Écran LCD et les paramètres du panneau de commande

Le panneau de commande LCD vous donne des informations intuitives via l'écran LCD. **Voir la figure 4.** L'écran LCD est également utilisé lors de la configuration initiale (activation) des différents paramètres du panneau de commande.

CLE D'IDENTIFICATION

1. KLAXON
2. BOUTONS DES CLIGNOTANTS
3. BOUTON DES FEUX
4. ÉCRAN LCD
5. BOUTON SET (RÉGLAGE)
6. BOUTON DES FEUX D'URGENCE
7. BOUTON MODE
8. COMMUTATEUR HI-LO
9. RÉGLAGE DE LA VITESSE (AUGMENTER)
10. RÉGLAGE DE LA VITESSE (DIMINUER)
11. LEVIERS D'ACCELERATEUR

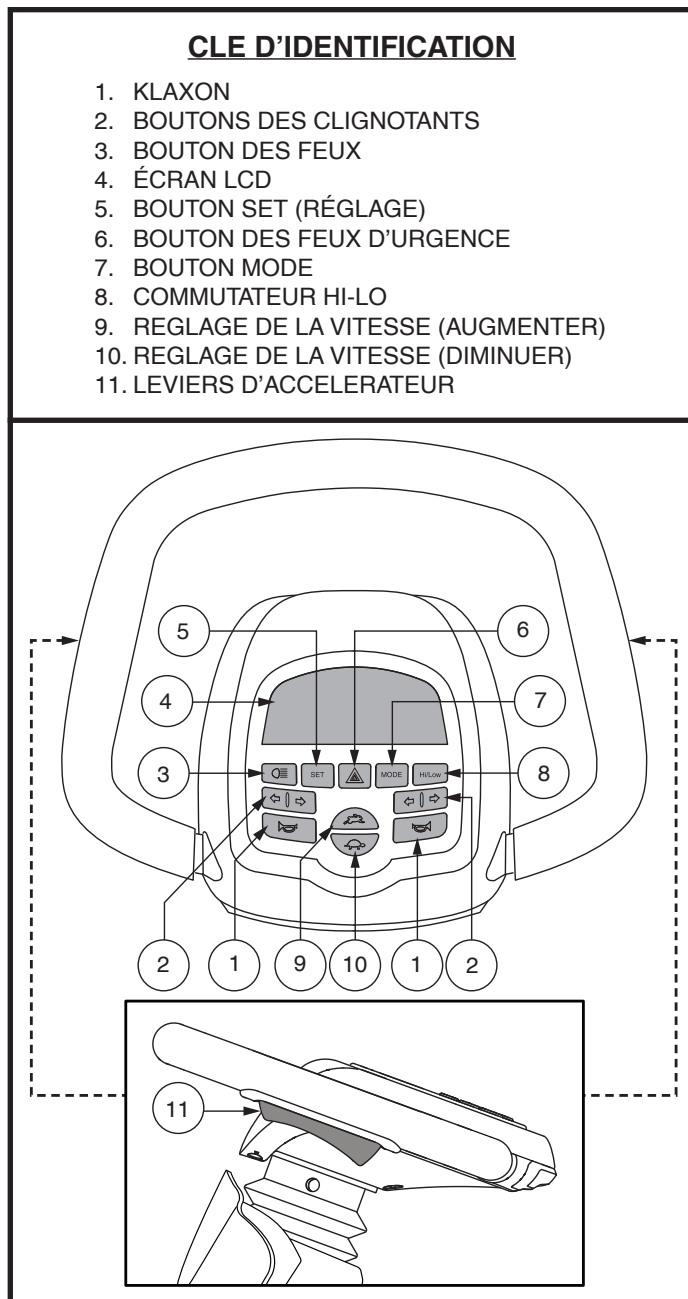


Figure 4. Panneau de commande LCD Control - Style B

II. VOTRE SCOOTER

Bouton des feux d'urgence

Ce bouton active les feux d'urgence jaunes sur votre scooter.

- Appuyer une fois sur le bouton pour activer les feux d'urgence.
- Appuyer de nouveau sur le bouton pour désactiver les feux d'urgence.

NOTE: Les feux d'urgence clignotent et un bip sonore retentit tant que les feux d'urgence sont activés. Voir la figure 5 pour le contrôle du volume.

Bouton de Mode

Utilisez le bouton de mode pour faire défiler entre l'odomètre, le tripomètre, la température et l'horloge (Style B) et l'affichage de l'odomètre, du tripomètre, de l'horloge et de la luminosité (Style C).

Commutateur Hi-Lo

Pour changer la vitesse maximale du scooter entre les réglages HIGH et LOW.

- Appuyer une fois sur le bouton Hi-Lo pour fixer le réglage de la vitesse à Hi. L'indicateur Hi-Lo s'affiche sur l'écran LCD. **Voir la figure 5.** L'utilisation de ce paramètre en conjonction avec les boutons de réglage de la vitesse permet au scooter d'atteindre des vitesses jusqu'à la vitesse maximale préprogrammée pour le scooter.
- Appuyer de nouveau sur le bouton Hi-Lo pour fixer le réglage de la vitesse à Lo. L'indicateur Hi-Lo ne s'affiche pas sur l'écran LCD. L'utilisation de ce paramètre en conjonction avec les boutons de réglage de la vitesse permet au scooter d'atteindre des vitesses jusqu'à la moitié de la vitesse maximale préprogrammée pour le scooter.

Boutons de réglage de la vitesse

Ces boutons de réglage permettent de présélectionner et de limiter la vitesse de votre scooter. Ceci est indiqué par l'indicateur de vitesse maximum sur l'écran LCD. **Voir la figure 5.**

- Appuyer sur l'image de la **tortue** pour diminuer la vitesse du scooter.
- Appuyer sur l'image du **lièvre** pour augmenter la vitesse du scooter.

NOTE: Plus de barres sont affichées sur l'indicateur de vitesse maximum, plus votre vitesse maximum présélectionnée sera élevée. Voir la figure 5.

Leviers d'accélérateur

Ces leviers vous permettent de contrôler la vitesse avant et arrière de votre scooter jusqu'à la vitesse maximum déterminée par les boutons de réglage de la vitesse. Un levier d'accélérateur se trouve sur la partie inférieure des côtés gauche et droit du guidon. **Voir la figure 4.**

Pour la marche avant sélectionner:

- Presser la partie arrière du levier d'accélérateur.

Pour la marche arrière sélectionner:

- Presser la partie avant du levier d'accélérateur.

Relâchez le levier complètement afin que le scooter s'immobilise complètement avant d'engager le levier opposé et changer de sens de roulement. Le levier retourne de lui-même au centre pour stopper le scooter afin que les freins s'engagent automatiquement.

II. VOTRE SCOOTER

ECRAN LCD ET PARAMETRES DU PANNEAU DE COMMANDE

Le panneau de commande LCD donne des informations intuitives via l'écran LCD. Voir la figure 5. L'écran LCD est également utilisé lors de la configuration initiale (activation) des différents paramètres du panneau de commande. Voir le tableau 1.

CLE D'IDENTIFICATION

- | | |
|----------------------------------|--|
| 1. JAUGE DE LA BATTERIE | 8. AM/PM |
| 2. INDICATEUR DES FEUX | 9. HORLOGE |
| 3. VITESSE/CODE ERREUR/VOLUME | 10. TEMPERATURE |
| 4. INDICATEUR HI-LOW | 11. DISTANCE/HEURE/TEMP/MESSAGE ERREUR |
| 5. INDICATEUR D'UNITE | 12. TOTALISEUR |
| 6. INDICATEUR MAXIMUM DE VITESSE | 13. ODOMETRE |
| 7. CLIGNOTANT DROIT | 14. CLIGNOTANT GAUCHE |

*POUR PLUS D'INFORMATIONS SUR L'INDICATEUR DE CODE D'ERREUR, VOIR LA FIGURE 27.

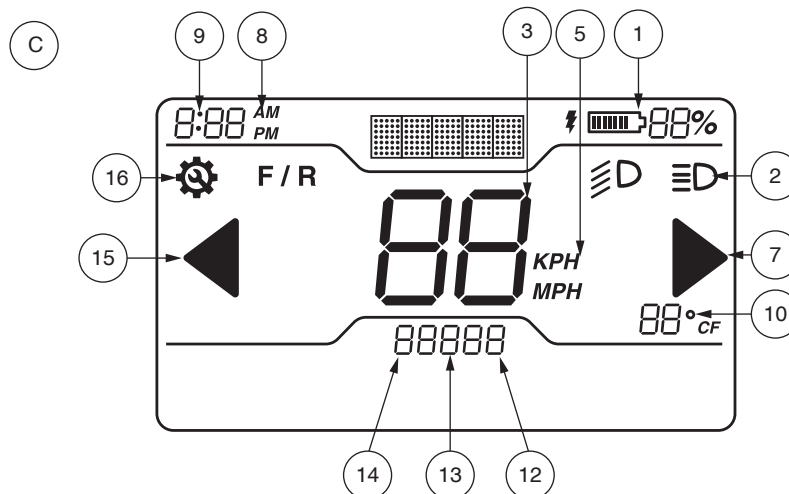
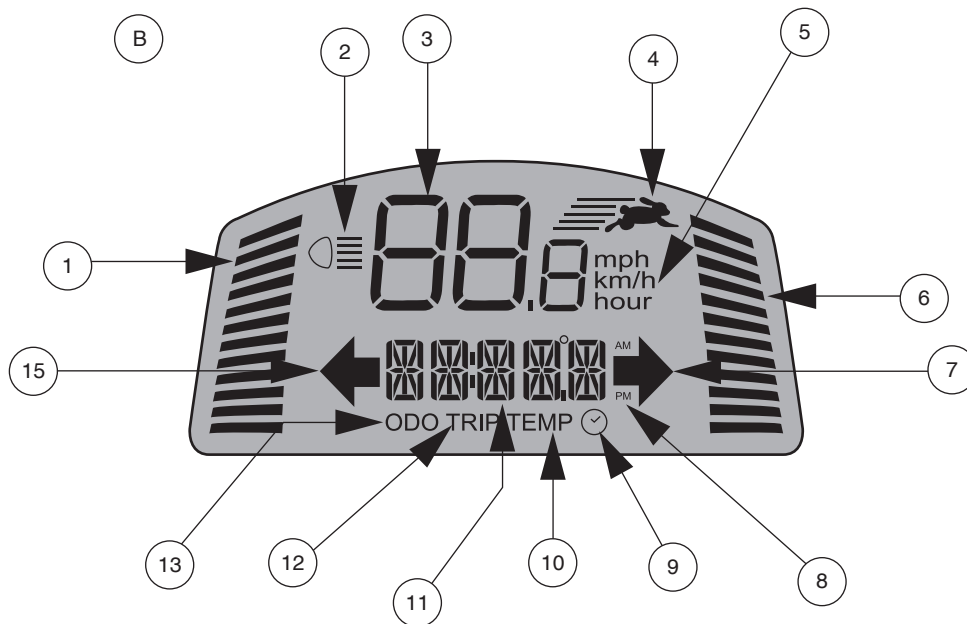


Figure 5. Style de console B (haut) et style de console C (bas)

II. VOTRE SCOOTER


TABLEAU DE CONFIGURATION DES PARAMETRES		
PARAMETRES	CODE	INFORMATION
Odometre	ODO	Mesure mph, km/h, et les heures d'utilisation. Affiche également la distance totale parcourue pour toute la durée de vie du scooter. (Ne peut pas être remise à zéro.)
Totaliseur	TRIP	Affiche la distance du trajet parcouru. (Peut être remise à zéro.)
Température	TEMP	Affiche la température actuelle en °C ou °F.
Horloge		Affiche l'heure au format 12 heures (AM/PM) ou 24 heures.
Luminosité (style C uniquement)	000	Permet à l'utilisateur d'alterner entre les niveaux de luminosité de l'écran LCD.

Tableau 1. Informations sur le Panneau de Commande LCD

Appuyer sur **MODE** jusqu'à ce que le paramètre que vous voulez modifier s'affiche sur l'écran LCD. Appuyer et maintenir **SET** puis suivre les étapes correspondant à votre réglage dans le **tableau 2**.


SETTING	ODO	TRIP	TEMP	
FONCTIONNEMENT	Appuyer sur le bouton MODE jusqu'à ce que l'option ODO apparaisse.	Appuyer sur le bouton MODE jusqu'à ce que l'option TRIP apparaisse.	Appuyer sur le bouton MODE jusqu'à ce que l'option TEMP apparaisse.	Appuyer et maintenir le bouton MODE jusqu'à ce que le symbole horloge apparaisse sur l'écran.
SÉLECTION	Appuyer et maintenir SET , puis simultanément appuyer sur le bouton MODE jusqu'à ce que l'option de réglage commence à clignoter. Faites défiler les options en appuyant sur le bouton SET .	Appuyer et maintenir SET , puis simultanément appuyer sur le bouton MODE pour 2 secondes puis relacher. Appuyer et maintenir SET jusqu'à ce que le totaliseur partiel se réinitialise à 0.0.	Appuyer et maintenir SET , puis simultanément appuyer sur le bouton MODE jusqu'à ce que l'option de réglage commence à clignoter. Faire défiler les options (°C ou °F) en appuyant sur les boutons SET .	Appuyer et maintenir SET , puis simultanément appuyer sur le bouton MODE jusqu'à ce que le chiffre de l'heure commence à clignoter. Utiliser le bouton SET pour régler l'heure à l'heure correcte. Continuer à utiliser les boutons MODE et SET pour programmer les minutes et AM / PM.
QUITTER	Pour quitter, lorsque l'option souhaitée commence à clignoter, appuyer sur n'importe quel bouton à l'exception de SET .	Pour quitter, appuyer sur n'importe quel bouton à l'exception de SET .	Pour quitter, lorsque l'option souhaitée commence à clignoter, appuyer sur n'importe quelle touche à l'exception de SET .	Pour quitter, appuyer sur n'importe quel bouton à l'exception de MODE et SET .

Tableau 2. Informations sur le Panneau de Commande LCD - Style B

II. VOTRE SCOOTER


PARAMÈTRE	TRIP	LUMINOSITÉ	UNITÉ DE MESURE	
OPÉRATION	Appuyez sur le bouton MODE jusqu'à ce que l'option TRIP apparaisse.	Appuyez sur le bouton MODE jusqu'à ce que l'option 000 apparaisse.	Appuyez sur le bouton MODE et maintenez-le enfoncé jusqu'à ce que l'option ODO apparaisse.	Appuyez sur le bouton MODE jusqu'à ce que le symbole ODO apparaisse à l'écran.
SÉLECTION	Maintenez la touche MODE enfoncée jusqu'à ce que le tripomètre se réinitialise à 0,0.	Appuyez sur le bouton MODE et maintenez-le enfoncé jusqu'à ce que 000 clignote. Appuyez sur MODE pour basculer entre les paramètres de luminosité de l'écran LCD (100 %, 75 %, 50 %) jusqu'à ce que la luminosité souhaitée soit atteinte.	Maintenez enfoncé jusqu'à ce que Distance/Température clignote. Faites défiler les options (°F ou °C/Miles ou Kilomètres) en appuyant sur le bouton MODE .	Appuyez et maintenez enfoncé le bouton MODE une fois (1) pour l'unité de mesure. Appuyez et maintenez MODE deux fois (2) pour basculer entre AM/PM en appuyant sur le bouton MODE . Appuyez et maintenez le bouton MODE une troisième (3) fois pour régler l'heure en appuyant sur le bouton MODE avant d'appuyer et maintenez le bouton MODE une quatrième (4) fois pour ajuster et régler les minutes en appuyant sur le bouton MODE .
SORTIR	N/A	Appuyez sur le bouton MODE et maintenez-le enfoncé pour quitter.	Appuyez sur le bouton MODE et maintenez-le enfoncé pour passer aux paramètres de l'heure.	Appuyez sur le bouton MODE et maintenez-le enfoncé pour quitter.

Tableau 3. Informations sur le panneau de commande LCD - Style C

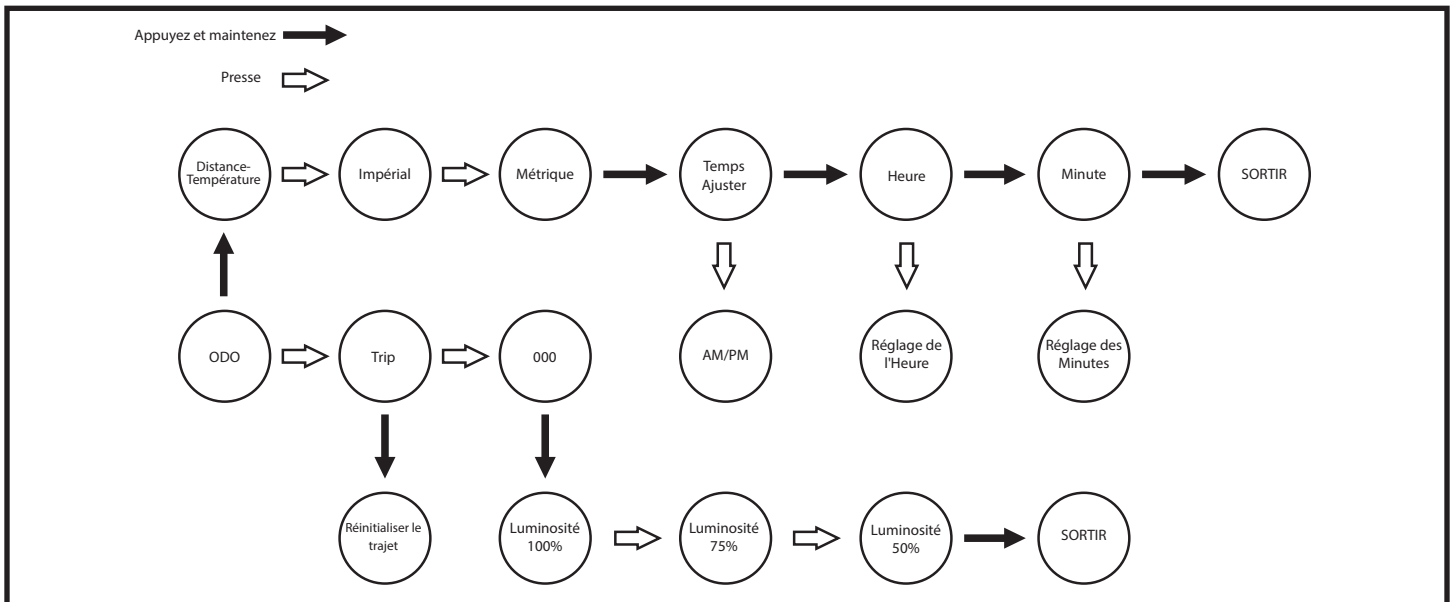


Tableau 4. Informations sur le panneau de commande LCD - Style C - Organigramme

Mode de charge de la batterie

Au cours de la recharge de la batterie, la console affiche l'horloge et la jauge de la batterie.

Indicateur de l'état de la batterie

Lorsque la clé est tournée à la position " ON ", cet indicateur donne une lecture approximative de l'autonomie de la batterie. Lorsque la tension de la batterie du scooter atteint un niveau faible, un bip d'avertissement retentit une fois, indiquant que la batterie doit être rechargée. Le bip d'avertissement ne retentira pas à nouveau jusqu'à ce que le scooter soit redémarré ou le levier de commande de l'accélérateur soit enfoncé.

Bouton Mode

Utilisez le bouton de mode pour faire défiler entre l'odomètre, le tripomètre, la température et l'horloge (Style B) et l'odomètre, le tripomètre, l'horloge et l'affichage de la luminosité (Style C). **Voir la figure 7.** Grâce à une série d'appuis et de maintiens, vous pouvez modifier les paramètres de votre console. Voir le **tableau 3** pour plus d'informations.

II. VOTRE SCOOTER

Indicateur de vitesse maximum

L'indicateur de vitesse maximum affiche la vitesse maximum sélectionnée avec les boutons de réglage de vitesse. Plus de barres sont affichées à l'indicateur et plus votre vitesse est élevée. La vitesse maximum du scooter sera déterminée par le paramètre HI-LO, ce qui limite la vitesse maximum à la moitié lorsqu'il est réglé sur LO. La vitesse de déplacement réelle sera affichée sur l'affichage de la vitesse sur l'écran LCD.

Contrôle du volume

Les clignotants, les feux de détresse, la basse tension et les messages d'erreur peuvent être réglés à la fois pour clignoter et pour bip. Le klaxon fonctionne par relais et son volume ne peut pas être réglé. **Voir la figure 6.**

Pour régler le volume:

1. S'assurer que la clé de contact est à la position "OFF".
2. Appuyer sur les deux boutons appropriés simultanément (voir le tableau 5), et tourner la clé à la position "ON".
3. Une fois que l'écran de contrôle du volume apparaît, relâcher les boutons.
4. Appuyez sur le bouton lièvre pour augmenter le volume à une valeur de 4 et sur le bouton tortue pour diminuer le volume du bip à 0 (0 indique éteint et 4 indique le volume le plus fort).
5. Pour quitter, appuyer sur n'importe quel bouton sauf le lièvre ou la tortue.

NOTE: La langue du message d'erreur peut être réglée de la même manière que le volume.

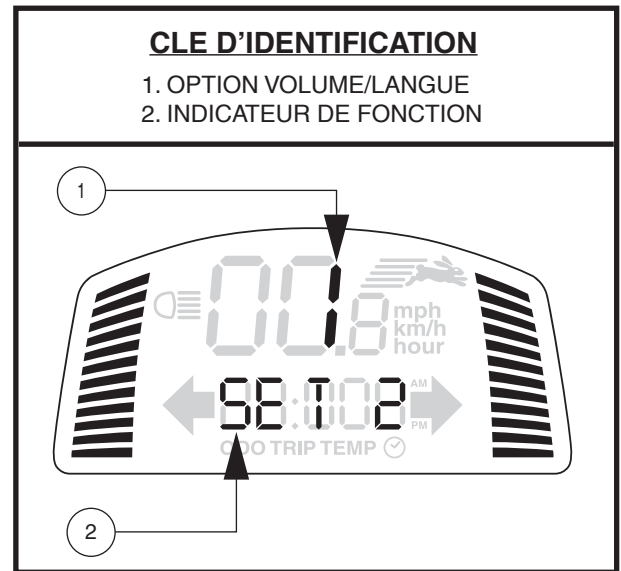


Figure 6. Contrôle du volume

FONCTION	BOUTONS	INDICATEUR DE FONCTION
Boutons des feux d'urgence	SET + BOUTONS DES FEUX D'URGENCE	SET 1
Basse tension	SET + LE BOUTON GAUCHE	SET 3
Boutons des clignotants	SET + LE BOUTON DROIT	SET 4
Option de langue pour message d'erreur	SET + COMMUTATEUR DES FEUX	SET 5 6 - Espagnol 5 - Italien 4 - Français 3 - Allemand 2 - Pays-Bas 1 - Anglais 0 - Fermer

Tableau 5. Informations de Contrôle du volume

II. VOTRE SCOOTER

CLE D'IDENTIFICATION

- | | |
|------------------------------------|---|
| 1. LEVIER DE FREIN A MAIN | 9. KLAXON |
| 2. KLAXON | 10. CLIGNOTANT (GAUCHE) |
| 3. CLIGNOTANT (DROIT) | 11. LEVIER D'ACCELERATEUR |
| 4. COMMUTATEUR DES PHARE | 12. LEVIER D'ACCELERATEUR |
| 5. ÉCRAN LCD | 13. CLIGNOTANT (DROIT) |
| 6. BOUTON DE REGLAGE DE LA VITESSE | 14. BOUTON DE SÉLECTION DU MODE ÉCRAN |
| 7. BOUTON FEUX D'URGENCE | 15. *PALETTE DE COMMANDE D'ACCÉLÉRATEUR |
| 8. CLIGNOTANT (GAUCHE) | |

*OPTIONS FACULTATIVES DISPONIBLE SUR CERTAIN MODELES

** POUR PLUS D'INFORMATIONS SUR L'ÉCRAN LCD, VOIR FIGURE 5.

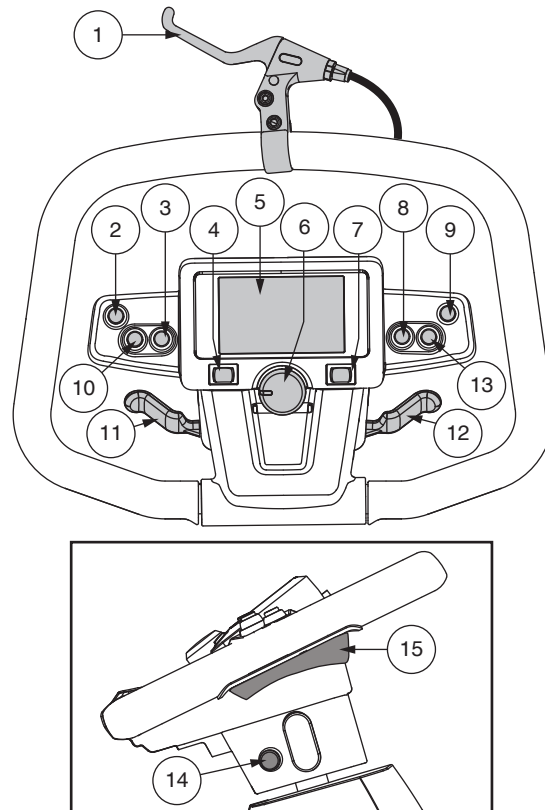


Figure 7. Tableau de bord C

Klaxon 📢

Pesez sur le bouton pour klaxonner. Assurez-vous que la clé est sur le contact et que le scooter est allumé. N'hésitez pas à klaxonner si vous croyez pouvoir éviter un accident.

Boutons des clignotants ⬅️ ➡️

Utilisez ces boutons pour allumer ou éteindre les clignotants gauche ou droit (couleur ambre).

- Pesez sur le bouton gauche pour allumer le clignotant gauche. L'indicateur de clignotant situé dans l'écran LCD clignotera.
- Pesez sur le bouton droit pour allumer le clignotant droit. L'indicateur de clignotant situé dans l'écran LCD clignotera.
- Les clignotants s'arrêtent automatiquement après un moment.

II. VOTRE SCOOTER

Bouton d'alimentation (en option - à utiliser avec le lecteur de carte NFC)

Le bouton d'alimentation vous permet d'allumer et d'éteindre votre scooter.

- Appuyez sur le bouton d'alimentation pour allumer votre scooter et utiliser le lecteur de carte NFC. Une fois complètement engagé et verrouillé, le bouton d'alimentation émettra une lumière bleue. Le bouton d'alimentation est utilisé conjointement avec le lecteur de carte NFC pour une sécurité supplémentaire pour votre scooter. Voir « Lecteur de carte NFC » pour plus d'informations.
- Appuyez à nouveau sur le bouton d'alimentation pour éteindre (éteindre) votre scooter.



AVERTISSEMENT! En cas d'urgence, éteignez la clé pour éteindre le scooter. Faites attention. Sachez que couper l'alimentation du scooter peut provoquer un arrêt brusque du scooter. Pour libérer l'arrêt d'urgence et restaurer la capacité de conduite du scooter, relâchez le levier de commande des gaz, puis allumez la clé du scooter.

AVERTISSEMENT! Si le bouton d'alimentation est enfoncé pendant que votre scooter est en mouvement, les freins électroniques s'enclencheront et votre scooter s'arrêtera brusquement.

LECTEUR DE CARTE NFC (EN OPTION)

Le lecteur de carte Near Field Communication (NFC) offre une sécurité supplémentaire pour votre scooter car il n'y a pas 2 clés identiques. Le lecteur de carte NFC vous permet d'allumer votre scooter avec la sécurité supplémentaire de Near Field Communication (NFC).

Pour utiliser le lecteur de carte NFC:

1. Appuyez sur le bouton d'alimentation du scooter jusqu'à ce qu'il soit complètement engagé et verrouillé.
2. Tenez la carte NFC au-dessus du lecteur de carte.
3. Un signal sonore de 4 notes indiquera la réussite de l'appairage de la carte NFC et de votre scooter.
4. La clé peut maintenant être placée dans un endroit sûr lors de l'utilisation de votre scooter.
5. Le scooter peut maintenant être conduit.

***NOTE:** Une fois que le bouton d'alimentation est complètement engagé et verrouillé, vous aurez dix (10) secondes pour coupler la carte NFC avec votre scooter. Si vous ne parvenez pas à coupler votre scooter, appuyez sur le bouton d'alimentation pour éteindre votre scooter, attendez dix (10) secondes, puis appuyez sur le bouton d'alimentation pour rallumer votre scooter et réessayer.*

6. Pour éteindre (éteindre) votre scooter, appuyez à nouveau sur le bouton d'alimentation.

Commutateur des feux et du phare

Pour le fonctionnement des feux et du phare.

- Basculez l'interrupteur vers la droite pour allumer le système d'éclairage.
- Basculez l'interrupteur vers la gauche pour éteindre le système d'éclairage.



MISE EN GARDE! Vous devez allumer les feux (jour et nuit) lorsque la visibilité est mauvaise.

Bouton des feux d'urgence

Ce bouton commande les feux d'urgence de votre scooter.

- Basculez l'interrupteur des feux de détresse vers la droite pour allumer les clignotants.
- Basculer l'interrupteur des feux de détresse vers la gauche pour éteindre les clignotants.

Bouton de réglage de la vitesse maximale

Ce bouton vous permet de présélectionner la vitesse maximale désirée.

- L'image de la **tortue** représente la vitesse minimale.
- L'image du **lièvre** représente la vitesse maximale.

II. VOTRE SCOOTER

Leviers d'accélérateur

Ces leviers commandent la marche avant ou arrière du scooter selon la vitesse maximale déterminée par le bouton de réglage de la vitesse.

NOTE: Les instructions d'utilisation du levier de commande d'accélérateur décrites ci-dessous s'appliquent aux scooters dans une configuration standard. Si la programmation de votre scooter a été modifiée de quelque manière que ce soit par un fournisseur, contactez-le pour obtenir des instructions sur le fonctionnement correct du niveau de papillon.

Pour rouler vers l'avant choisissez l'une ou l'autre de ces méthodes:

- Utilisez votre pouce gauche pour appuyer sur le levier gauche et avancer.
- Utilisez vos doigts de la main droite pour tirer sur le levier droit et avancer.

Pour rouler vers l'arrière choisissez l'une ou l'autre de ces méthodes:

- Utilisez votre pouce droit pour appuyer sur le levier droit et reculer.
- Utilisez vos doigts de la main gauche pour tirer sur le levier gauche et reculer.

Relâchez le levier complètement afin que le scooter s'immobilise complètement avant d'engager le levier opposé et changer de sens de roulement. Le levier retourne de lui-même au centre pour stopper le scooter afin que les freins s'engagent automatiquement.

S'il n'est pas équipé de manettes, suivez les instructions suivantes pour les palettes de commande des gaz:

Ces palettes vous permettent de contrôler la vitesse avant et arrière de votre scooter jusqu'à la vitesse maximum déterminée par les boutons de réglage de la vitesse. Une palette d'accélérateur se trouve sur la partie inférieure des côtés gauche et droit du guidon. **Voir la figure 7.**

Pour la marche avant sélectionner:

- Presser la partie arrière du palette d'accélérateur.

Pour la marche arrière sélectionner:

- Presser la partie avant du palette d'accélérateur.

Relâchez le levier complètement afin que le scooter s'immobilise complètement avant d'engager le levier opposé et changer de sens de roulement. Le levier retourne de lui-même au centre pour stopper le scooter afin que les freins s'engagent automatiquement.

Levier de frein à main

Ce levier vous procure de la puissance de freinage pour les arrêts d'urgence. Lorsque vous roulez, relâchez l'accélérateur et comprimez doucement le levier de frein à main afin d'arrêter le véhicule. L'efficacité du frein à main peut être modifiée en resserrant ou en desserrant la vis de réglage située sur le levier de frein à main.



MISE EN GARDE! Le frein à main est destiné à être utilisé comme système de freinage d'appoint uniquement.

II. VOTRE SCOOTER

GUIDON INFÉRIEUR (disponible sur les modèles 123, 124, 133, 134, 143, 144, 614, 714, 3120, 3130 et 3140 uniquement)

Réceptacle du chargeur externe

Pour charger les batteries, le cordon du chargeur doit être branché dans ce réceptacle. Le réceptacle est situé sur le guidon. Voir la figure 8.

Fusibles du système électrique

Pour plus d'informations et une description complète du système de fusibles, voir la figure 3.

Levier réglage du guidon ou Réglage du guidon

Voir section V. "Réglages confort".

Clé de contact

- Insérez la clé dans le contact et tournez-la dans le sens horaire pour allumer votre scooter. Voir la figure 8.
- Tournez la clé dans les sens opposé pour couper le contact de votre scooter.

MISE EN GARDE! Lors d'une situation d'urgence, positionner l'interrupteur à clé en position OFF (arrêt) pour éteindre le scooter. Soyez prudent. Veuillez noter qu'éteindre le scooter peut provoquer un arrêt brusque du scooter. Pour libérer la condition d'urgence, arrêtez et rétablissez la capacité de conduite du scooter, relâchez le levier de commande de l'accélérateur, puis positionnez l'interrupteur à clé en position ON (marche).



MISE EN GARDE! Si le contact est coupé alors que le scooter est en mouvement, les freins électroniques s'engageront et stopperont le scooter abruptement!

Commutateur des leviers d'accélérateur

Ce commutateur permet de sélectionner le levier d'accélérateur (gauche ou droit). Voir la figure 8.

- Basculez l'interrupteur vers le haut pour activer la commande d'accélérateur gauche levier.
- Basculez l'interrupteur vers le bas pour activer l'accélérateur droit levier de control.

CLE D'IDENTIFICATION

1. RECEPTACLE DU CHARGEUR EXTERNE
2. PANNEAU DES FUSIBLES
3. REGLAGE DU GUIDON
4. CLE DE CONTACT
5. *COMMUTATEUR DU LEVIER D'ACCELERATEUR
6. SUPPORT POUR BOUTEILLE D'EAU
7. MIROIR
8. CHARGEUR USB

*OPTIONS FACULTATIVES DISPONIBLE SUR CERTAIN MODELES

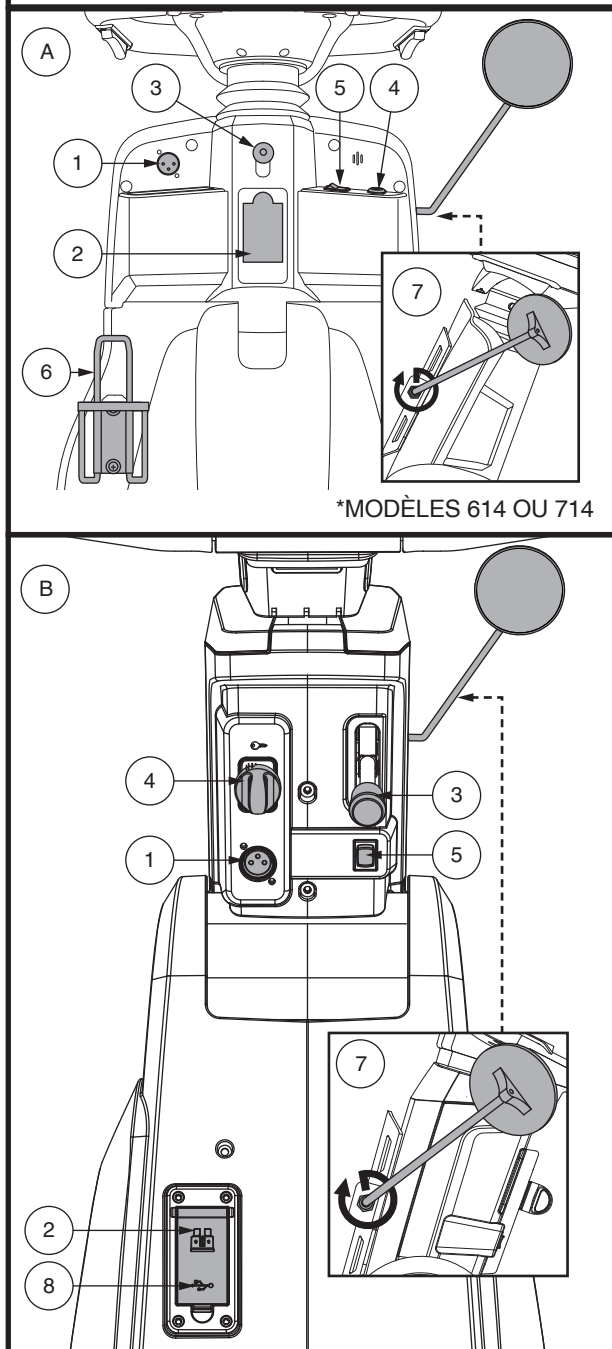


Figure 8. Composants du guidon inférieur

II. VOTRE SCOOTER

Pour les modèles 614 et 714:

- Basculer le commutateur vers la gauche pour activer le levier d'accélérateur gauche
- Basculer le commutateur vers la droite pour activer le levier d'accélérateur droit.

NOTE: Un seul levier d'accélérateur peut fonctionner à la fois.

Support pour bouteille d'eau

Le support pour bouteille d'eau est destiné à maintenir une bouteille d'eau en plastique de taille standard. Le support peut être fixé sur n'importe quel des deux côtés du scooter en utilisant la quincaillerie fournie.

SECTION ARRIERE

La section arrière de votre scooter abrite le levier d'embrayage, les antibascule (si équipé), le module moteur/transmission, et les supports pour drapeau de sécurité optionnel. Voir la figure 9. Bien que non représenté, les batteries et le disjoncteur principal (bouton de réinitialisation) sont également situés sur la partie de la composante arrière de votre scooter.



MISE EN GARDE! Avant débrayer votre scooter, soyez assuré que le contact est coupé. Ne jamais asseoir sur votre scooter lorsqu'il est au neutre (débrayé). Ne jamais débrayer votre scooter alors que celui-ci est dans une pente ou sur une surface inclinée.

Levier de débrayage manuel

Vous pouvez débrayer votre scooter (neutre) pour le déplacer manuellement sur de courtes distances.

1. Retirez la clé du contact.
2. Poussez le levier d'embrayage vers l'avant pour débrayer le scooter et relâcher les freins. Déplacez le scooter manuellement.
3. Tirez le levier vers l'arrière pour embrayer le moteur et réengager les freins.



MISE EN GARDE! Lorsque le scooter est en mode roues libres (au neutre) les freins sont relâchés.

- Passez en mode roues libre seulement lorsque le scooter est sur une surface horizontale.
- Assurez-vous que la clé n'est pas sur le contact.
- Tenez-vous debout à côté le scooter pour passer en mode roues libres ou pour embrayer les moteurs. Ne jamais le faire alors que vous êtes assis sur le siège.
- Lorsque vous avez terminé le déplacement manuel du scooter, remettez toujours le scooter en mode embrayé afin d'engager les freins.

NOTE: Si vous débrayez le scooter (levier poussé vers l'avant) alors que le scooter est allumé clé à la position "ON", le scooter ne pourra fonctionner tant que le levier ne sera pas replacé à la position vers l'arrière et que le scooter ne sera éteint puis allumé de nouveau.

CLE D'IDENTIFICATION

1. LEVIER D'EMBRAYAGE MANUEL
2. MODULE MOTEUR/TRANSMISSION
3. ANTIBASCULE (si équipé)
4. SUPPORT FANION DE SECURITE

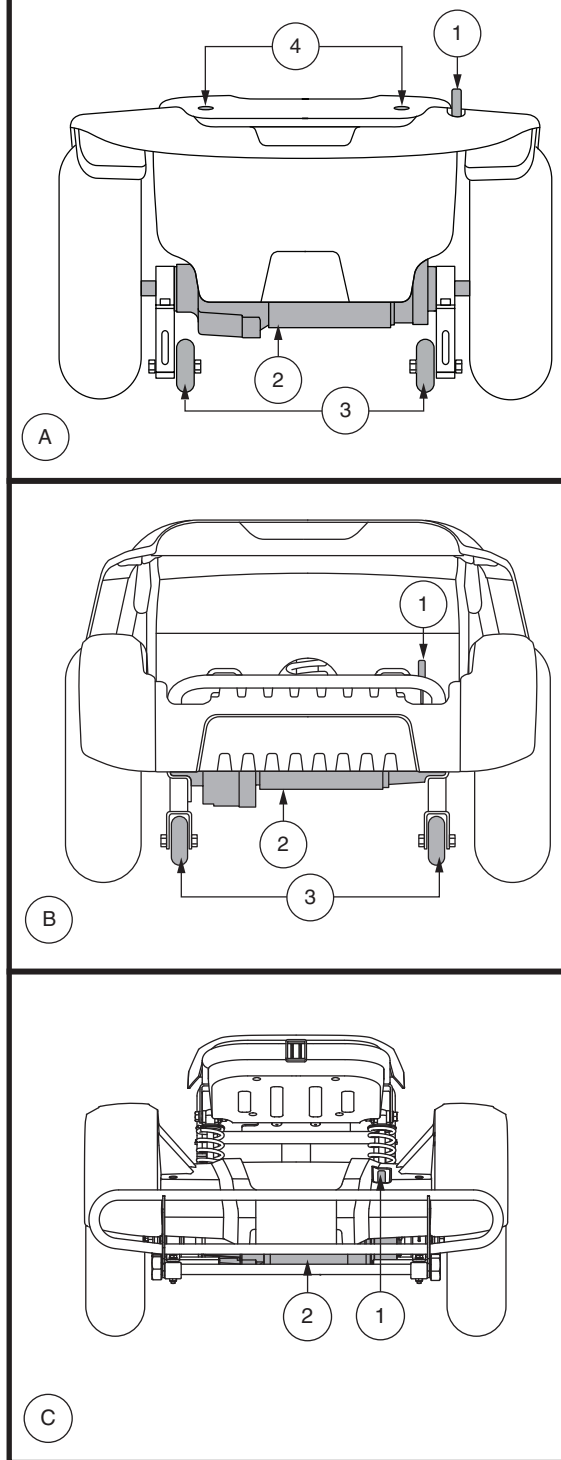


Figure 9. Section arrière

II. VOTRE SCOOTER

Module moteur/transmission

Le module moteur/transmission est composé du moteur et d'un essieu scellé à la transmission et au différentiel. Ce module fournit la puissance aux roues motrices de votre scooter.

Roulettes antibascule (si équipé)

Les roulettes antibascule sont une composante de sécurité importante de votre scooter. Elles sont boulonnées sur la structure à l'arrière du scooter.



INTERDIT! Ne pas retirer ou modifier d'aucune manière les roulettes antibascule sans avoir obtenu l'autorisation de votre détaillant autorisé.



MISE EN GARDE! Les roues anti-basculer peuvent provoquer des interférences avec la transition en douceur de votre scooter lorsque vous montez ou descendez un trottoir. Contactez votre détaillant autorisé pour plus d'informations.

Batteries

Les batteries emmagasinent l'énergie électrique de votre scooter. Voir la section III. "Batteries et recharge" pour de plus amples informations au sujet de la jauge à batteries.

Support fanion de sécurité (Facultatif — Modèles 613/713/7132/713ES)

Les supports pour accessoires pour l'installation d'un drapeau de sécurité en option sont montés à l'arrière du scooter. Voir la figure 9.

Pour installer les fanions sur la structure arrière:

1. Retirez le couvercle sur le dessus du support.
2. Insérez la tige du fanion dans l'ouverture.

Bouton du disjoncteur principal

Lorsque les batteries sont faibles et que la demande est excessive (charge lourde ou pente forte) le disjoncteur peut se déclencher pour éviter d'endommager les composants électroniques et le moteur.

Voir la figure 10.

- Trois types:
 1. **Le levier d'enclenchement bascule** vers le bas lorsque le disjoncteur se déclenche.
 2. Lorsqu'il est déclenché, **la tête du bouton** du disjoncteur sort.
 3. **Type réinitialisation automatique** se réenclenche au bout d'environ une minute ou deux.
- Attendez une minute avant d'essayer d'enclencher le circuit à nouveau.
- Poussez le levier de ré enclenchement vers le haut jusqu'à ce que vous entendiez un déclic, ou pesez sur le bouton pour l'enfoncer et rétablir les circuits.
- Si le disjoncteur se déclenche à répétition, nous recommandons de charger vos batteries plus souvent.
- Si le disjoncteur principal saute à répétition, contactez votre détaillant pour obtenir de l'aide.

CLE D'IDENTIFICATION

1. STYLE DE LEVIER
 - a. un levier de réinitialisation
 - b. bouton d'arrêt manuel
2. STYLE DU BOUTON DE REINITIALISATION
3. STYLE DE REINITIALISATION AUTOMATIQUE
(MODÈLES 614 OU 714)

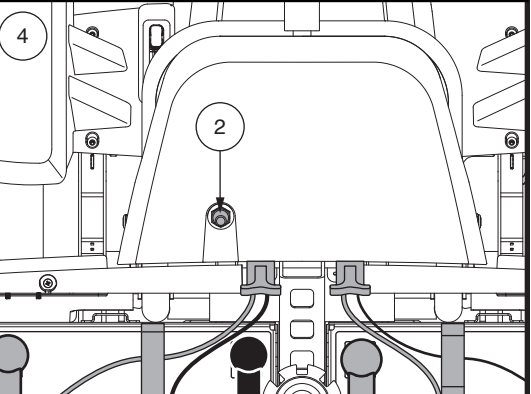
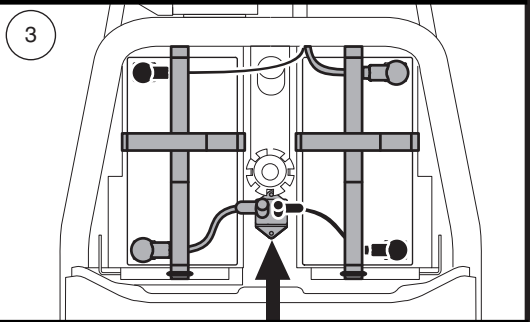
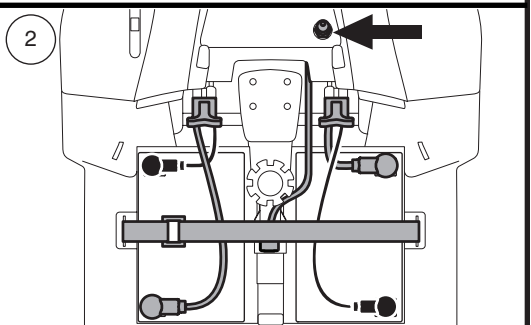
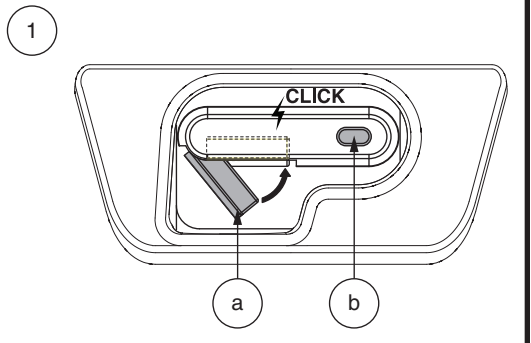


Figure 10. Bouton du disjoncteur principal

II. VOTRE SCOOTER

AVIS: Si vous préparez le scooter pour le transport ou l'entretien, ou s'il existe une situation qui vous oblige à arrêter manuellement le système électrique, appuyez sur le bouton d'arrêt manuel sur le disjoncteur. Cela coupera l'alimentation au scooter.

Ancrage du Scooter

Le scooter doit toujours être ancrés face à l'avant du véhicule. Fixez les quatre (4) courroies aux points d'ancrage désignés sur le scooter. Voir les figures 11 et 12. Serrez-bien les courroies pour retirer le jeu excessif. N'attachez jamais le scooter par ses composantes réglables ou mobiles tels que les accoudoirs, capots ou roues. Ces articles devraient être enlevés. Positionnez les points d'ancrage arrière des courroies directement derrière le scooter. Les points d'ancrage avant sont disposés plus loin de chaque côté du scooter afin d'augmenter la stabilité latérale.



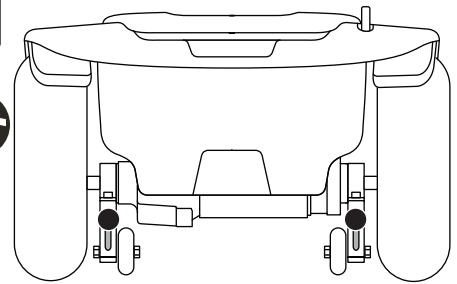
MISE EN GARDE! Assurez-vous que le scooter est bien attaché au véhicule pendant le transport routier. Un scooter qui n'est pas ancré correctement pourrait devenir dangereux pour son occupant et pour les autres passagers du véhicule lors d'un arrêt brusque, dans un virage serré puisque le scooter pourrait se renverser et se déplacer violemment en cas de collision.

CLE D'IDENTIFICATION

1. MODELES 613, 713, 7132, ET 713ES
2. MODELES 614 ET 714
3. MODELES SC123, SC124, SC133, SC134, SC143, SC144, S3120, S3130, S3140



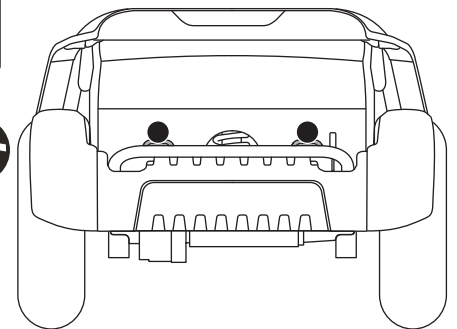
ou



1



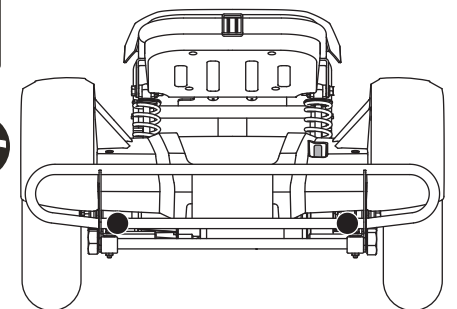
ou



2



ou



3

Figure 11. Points d'ancrage arrière (Identifié avec des points noirs)

II. VOTRE SCOOTER

CLE D'IDENTIFICATION

- 1. 3-ROUES MODELES
- 2. 4-ROUES MODELES

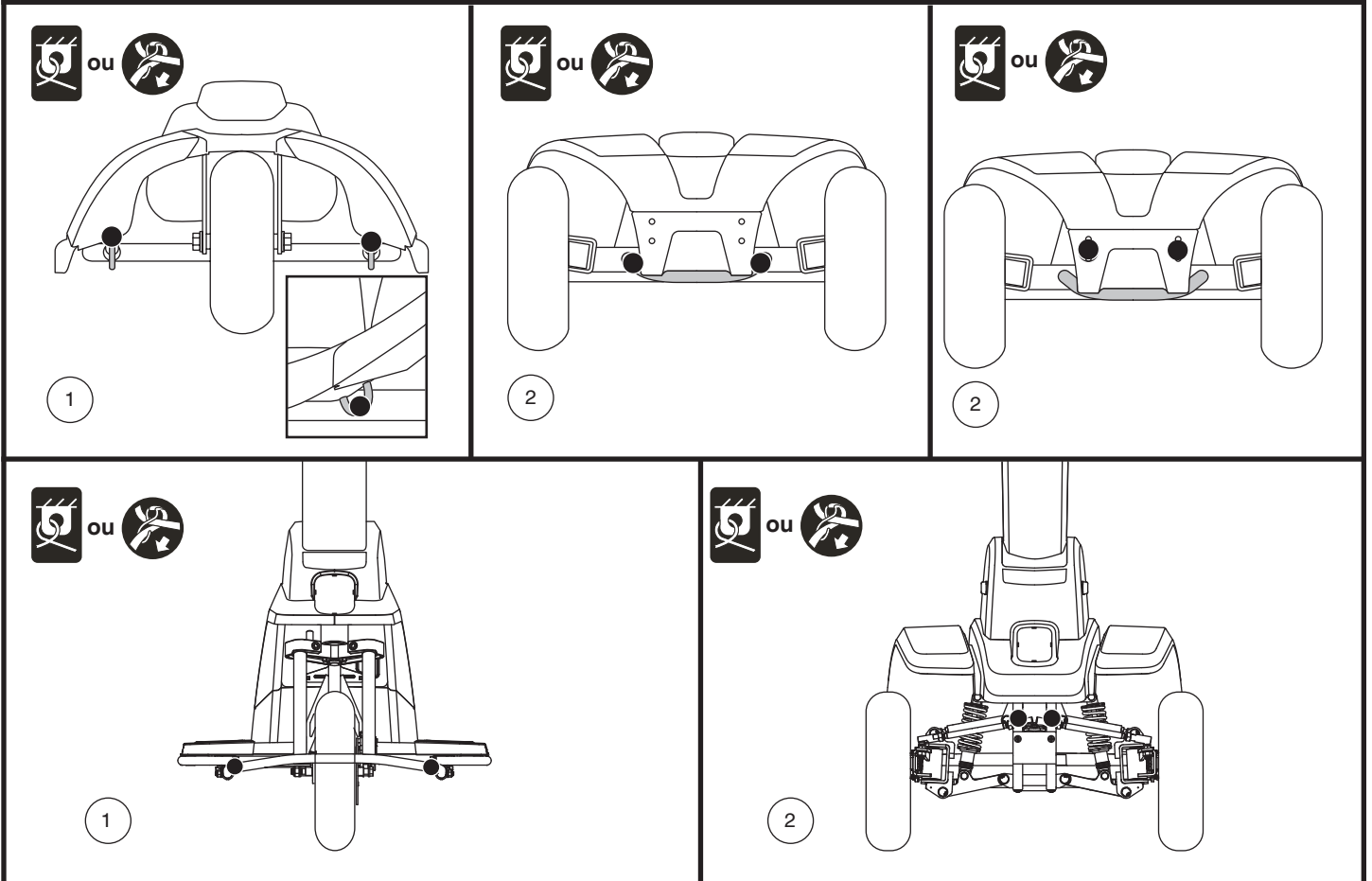


Figure 12. Points d'ancrage avant (Identifié avec des points noirs)

III. BATTERIES ET RECHARGE

BATTERIES ET RECHARGE

Votre scooter utilise deux batteries à décharge poussée, scellées et sans entretien de 12 volts. Elle sont rechargées par le chargeur externe.

- Chargez vos batteries au moins 8 à 14 heures avant la toute première utilisation de votre scooter.
- Gardez vos batteries bien chargées pour éviter les complications.

LECTURE DU VOLTAGE DES BATTERIES

La jauge à batteries située sur le tableau de bord indique la quantité d'énergie stockée dans les batteries à l'aide d'un code de couleur. Le vert indique des batteries pleine charge, le jaune indique que la charge est partielle tandis que le rouge montre que les batteries doivent être rechargées immédiatement. **Voir la figure 13.** Pour avoir une mesure fiable, vous devez débrancher le cordon d'alimentation du chargeur et mettre le contact du scooter. Pour les modèles avec écran LCD, veuillez-vous référer à la section "Indicateur d'état de la batterie" à la page 65

Pour les modèles équipés d'un indicateur d'état de batterie 1c, l'indicateur d'état de batterie sur la console de barre franche indique la puissance approximative de vos batteries à l'aide d'un code couleur. De droite à gauche sur le compteur, le vert (5 LEDs) indique des batteries complètement chargées, le jaune (3 LEDs) une charge en train de se vider et le rouge (2 LEDs) indique qu'une recharge immédiate est nécessaire. Voir la figure 13. Pour garantir la plus grande précision, l'indicateur d'état de la batterie doit être vérifié lorsque vous conduisez votre véhicule à pleine vitesse sur une surface sèche et plane. Lorsque 5 LED (2 LED rouges et 3 LED jaunes) sont affichées, vos batteries ont 10% de charge restante.

NOTE: Le Mètre ambiant ajuste la luminosité en fonction de l'environnement.

RECHARGE DES BATTERIES



INTERDIT! Vous risquez de provoquer une situation dangereuse si vous enlevez la branche de mise à la terre du connecteur électrique sur le cordon d'alimentation du chargeur. Au besoin, installez un adaptateur à 3 branches sur la prise électrique à 2 fentes.



INTERDIT! N'utilisez jamais une rallonge de cordon électrique pour brancher le chargeur à batteries. Branchez-le directement dans une prise électrique standard.



INTERDIT! Ne laissez pas d'enfant jouer sans surveillance près d'un scooter lorsque vous rechargez les batteries. Nous recommandons de ne pas recharger les batteries lorsque le scooter est occupé.



OBLIGATOIRE! Lisez les instructions sur le fonctionnement du chargeur dans ce manuel et celles contenues dans le manuel fourni avec le chargeur avant de commencer la recharge des batteries.

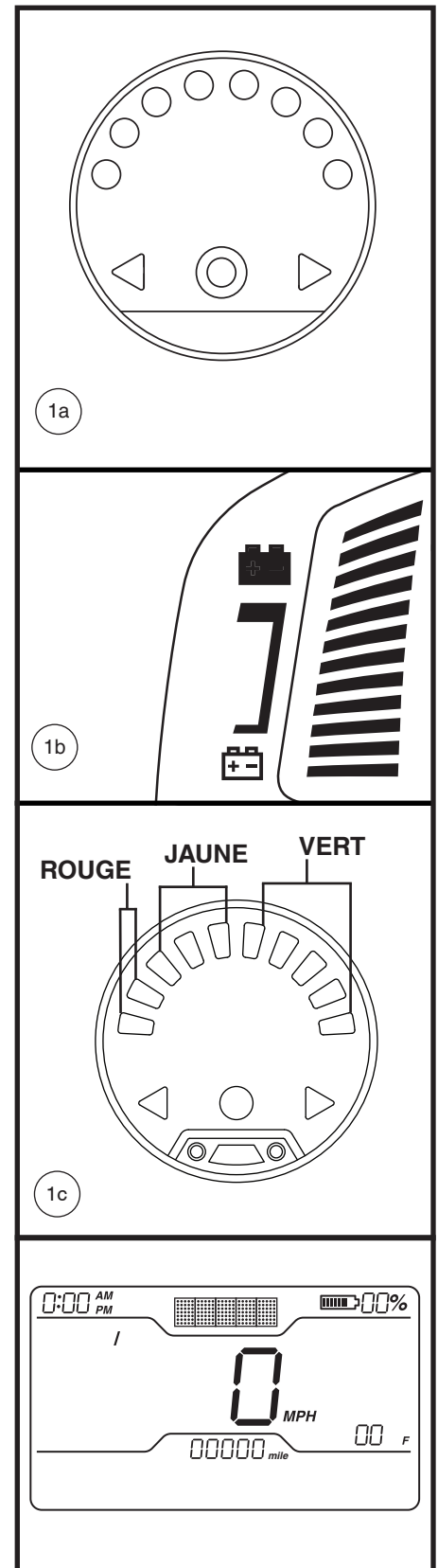


Figure 13. Jauge à batteries

III. BATTERIES ET RECHARGE



MISE EN GARDE! Des vapeurs explosives peuvent être émises pendant la recharge des batteries. Ventilez adéquatement la pièce et n'approchez pas du chargeur avec des étincelles ou une flamme ouverte pendant la recharge des batteries.

MISE EN GARDE! Vous devez recharger les batteries avec le chargeur externe qui a été fourni avec votre scooter. N'utilisez pas un chargeur de type automobile.

MISE EN GARDE! Inspectez le chargeur, les fils et les connecteurs avant chaque utilisation. Contactez votre détaillant autorisé si vous découvrez des dommages.



MISE EN GARDE! Ne tentez pas d'ouvrir le boîtier du chargeur. Si le chargeur ne semble pas fonctionner correctement, contactez votre détaillant autorisé.

MISE EN GARDE! Si le chargeur est équipé de fentes de refroidissement, ne tentez pas d'insérer d'objets dans ces fentes.

MISE EN GARDE! Soyez conscient que le boîtier du chargeur de batterie peut devenir chaud pendant la charge. Évitez tout contact cutané et ne placez pas dessus des surfaces susceptibles d'être affectées par la chaleur.



MISE EN GARDE! N'exposez pas votre chargeur aux intempéries sauf si celui-ci a été approuvé pour l'usage à l'extérieur. Si le chargeur est exposé aux intempéries, alors il doit avoir le temps de s'adapter aux conditions internes avant de l'utiliser à l'intérieur. Référez-vous au manuel fourni avec le chargeur pour de plus amples informations.

Voici comment recharger vos batteries sécuritairement:

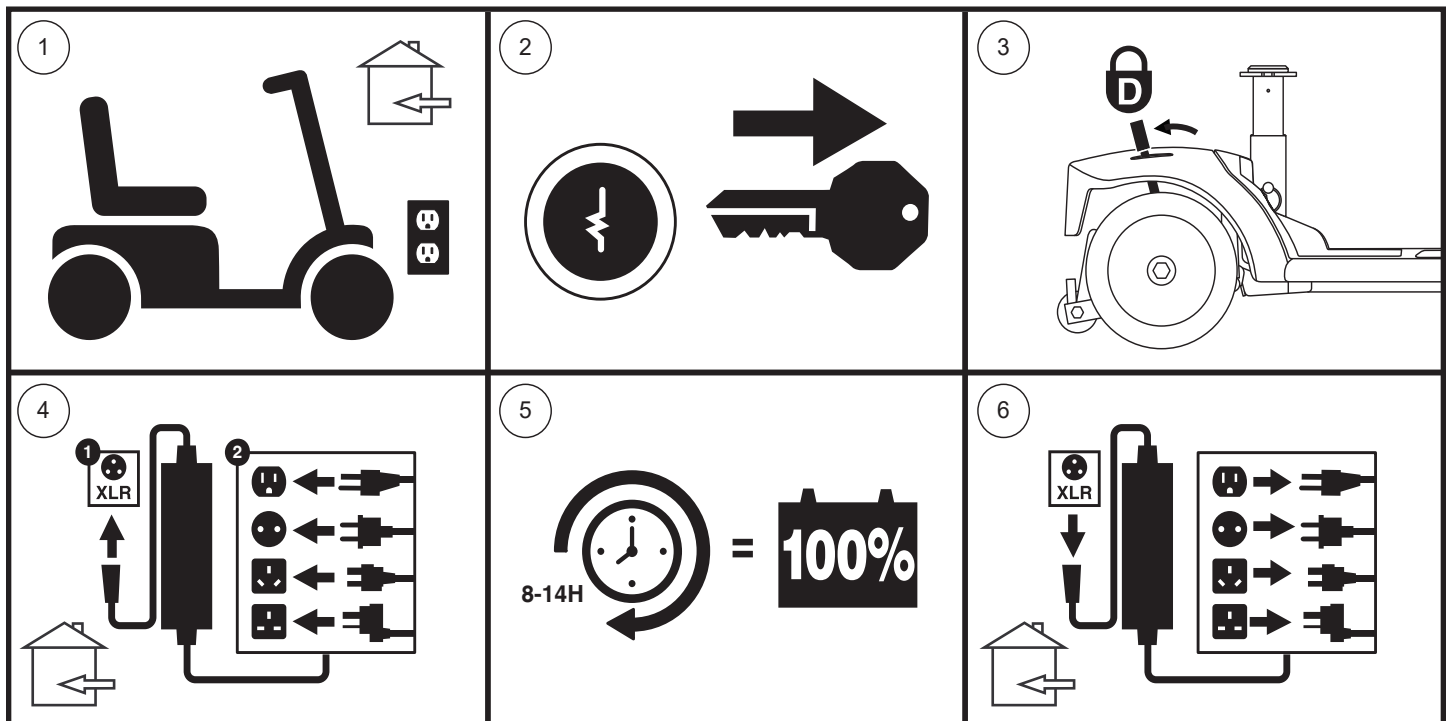


Figure 14. Recharge des batteries schéma des procédures

III. BATTERIES ET RECHARGE



MISE EN GARDE! Les voyants lumineux sur le chargeur vous informent sur l'état actuel. Si dans les 24 heures, la DEL n'indique pas que la charge est terminée, débrancher le chargeur de la prise et contactez votre détaillant autorisé. Référez-vous au manuel fourni avec le chargeur pour les instructions complètes sur les voyants lumineux.

NOTE: Le scooter possède un dispositif qui bloque le fonctionnement du scooter et de sa jauge à batteries pendant la recharge de batteries.

QUESTIONS POSEES FREQUEMMENT

Comment fonctionne le chargeur?

Si les batteries sont faibles, le chargeur travaillera davantage. Au fur et à mesure que les batteries se rechargent, le chargeur ralentit le débit de recharge jusqu'à ce que les batteries soient complètement chargées. Lorsqu'elles le sont, le niveau d'intensité est presque à zéro. Les batteries seront alors maintenues chargées mais ne peuvent être surchargées. Reportez-vous au manuel fourni avec le chargeur de batterie pour des instructions de chargement.

Puis-je utiliser un autre chargeur?

Les chargeurs sont choisis en fonction de l'utilisation et sont bien adaptés au type, à la capacité et à la formule chimique des batteries utilisées. La façon la plus rapide et sûre de recharger les batteries de votre scooter est à l'aide du chargeur d'origine fourni avec votre produit. Ne rechargez pas les batteries individuellement.

Que faire si les batteries ne se rechargent pas?

- Assurez-vous que les câbles rouges (+) et noir (-) sont bien branchés aux bornes des batteries.
- Assurez-vous que le cordon d'alimentation du chargeur soit bien enfoncé dans le réceptacle et la prise murale.
- Assurez-vous que le disjoncteur n'est pas déclenché.

À quelle fréquence dois-je recharger mes batteries?

Deux facteurs influencent la nécessité de recharger les batteries.

- Une utilisation journalière.
- Une utilisation occasionnelle du scooter.

Avec ces considérations à l'esprit, vous serez en mesure de déterminer à quelle fréquence et pendant combien de temps vous devez recharger les batteries de votre scooter. Bien que le chargeur de batteries intégré ait été conçu de façon à ne jamais surcharger les batteries, plusieurs propriétaires hésitent à charger leurs batteries régulièrement. Si vous suivez les conseils décrits ci-dessous, vos batteries seront fiables et plus durables.

- Si vous utilisez votre scooter toute la journée, rechargez vos batteries dès que vous avez fini de l'utiliser. Le chargeur possède un dispositif automatique qui ne surchargera pas vos batteries et votre scooter sera prêt chaque matin. Après une journée d'utilisation, il est recommandé de recharger vos batteries pendant au moins 8 à 14 heures. Nous recommandons de charger les batteries pendant 4 heures supplémentaires après que le chargeur de la batterie indique que la charge est terminée.
- Si vous utilisez votre scooter occasionnellement (une fois par semaine ou moins), il est recommandé de recharger vos batteries au moins une fois par semaine pendant au moins 24 heures.

NOTE: Gardez vos batteries bien chargées et évitez de les décharger complètement. Reportez-vous au manuel fourni avec le chargeur de batterie pour des instructions de chargement. Nous recommandons de charger vos batteries pendant au moins 48 heures consécutives une fois par mois afin d'améliorer les performances et la vie de la batterie.

III. BATTERIES ET RECHARGE

Que dois-je faire pour allonger la vie utile de mes batteries?

Les batteries à décharge poussée sont conçues pour fournir une performance supérieure plus longtemps que les batteries ordinaires. Gardez vos batteries pleinement chargées aussi souvent que possible. Des batteries trop déchargées, rechargées de façon non assidue, ou entreposées sans qu'elles ne soient pleinement chargées ne seront pas fiables, auront une piètre performance et de plus, dureront moins longtemps.

NOTE: *Pour prolonger la vie de la batterie, éteignez toujours le scooter et retirez la clé lorsqu'il n'est pas utilisé.*

Comment obtenir une distance maximale avec mes batteries?

Les conditions de conduite ne sont pas toujours idéales ie: terrain ferme et plat, sans courbe et sans vent contraire. Souvent, nous faisons face à des pentes, des crevasses dans les trottoirs, du gravier, des courbes, etc. Ces facteurs affecteront la distance que vous pourrez parcourir avec votre scooter. Voici quelques suggestions pour maximiser la distance parcourue avec une recharge de batteries:

- Avant de partir, assurez-vous que vos batteries sont complètement chargées.
- Maintenez la pression recommandée dans les pneus si votre scooter en est équipé.
- Planifiez votre sortie de façon à éviter les pentes et les surfaces difficiles.
- Emportez le minimum de bagages.
- Essayez de maintenir une vitesse constante.
- Évitez d'arrêter et de repartir fréquemment.
- Nous recommandons de charger vos batteries pendant au moins 48 heures consécutives une fois par mois afin d'améliorer les performances et la vie de la batterie.
- Assurez-vous qu'elles les câbles soient branchées de façon sécuritaire.

Quel type de batteries devrais-je utiliser?

Nous recommandons les batteries à décharge poussée (deep cycle), sans entretien et scellées à l'usine ce qui élimine les risques de fuite. Les batteries de type AGM ou au gel scellées sont des batteries "à décharge poussée" offrant des performances similaires. N'utilisez pas de batteries conventionnelles à bouchons enlevables.



MISE EN GARDE! Les batteries contiennent des produits corrosifs. Utilisez seulement des batteries de type AGM ou au gel afin de réduire le risque de fuite ou d'explosion.

NOTE: *Les batteries scellées n'ont pas besoin d'ajout de liquide. N'enlevez pas les bouchons.*

Pourquoi mes nouvelles batteries semblent-elles faibles?

Les batteries de type "à décharge poussée" sont très différentes des batteries d'automobiles, nickel/cadmium ou des autres batteries de type courant. Entre autres, les composantes chimiques utilisées dans les batteries à décharge poussée augmentent leur puissance et permettent de les recharger rapidement.

En collaboration avec son fournisseur de batteries, nous équipe ses scooters avec les meilleures batteries disponibles. Elles sont chargées à bloc avant la livraison, cependant le transport les expose à des conditions climatiques parfois extrêmes qui peuvent affecter leur performance. En effet, la chaleur et le froid réduisent la charge des batteries et augmentent le temps nécessaire pour les recharger.

Une batterie gelée peut prendre quelques jours pour se stabiliser à la température ambiante. De plus, il est important de se rappeler que les batteries atteindront leur performance maximale après quelques cycles d'utilisation et de recharge.

III. BATTERIES ET RECHARGE

Voici quelques conseils pour bien roder vos batteries:

1. Chargez complètement vos batteries avant d'utiliser votre appareil pour la première fois. Elles seront alors à 88% de leur capacité.
2. Utilisez tout d'abord votre scooter autour de la maison de façon à vous habituer aux commandes et en apprécier le confort. Ceci permettra de roder vos batteries.
3. Rechargez vos batteries à nouveau pendant environ au moins 8 à 14 heures. Utilisez votre scooter de façon à continuer le rodage. Vos batteries seront alors à 90% de leur capacité.
4. Utilisez de nouveau votre scooter et rechargez vos batteries.
5. Après quatre ou cinq cycles de décharge et recharge, vos batteries atteindront 100% de leur capacité et dureront plusieurs années grâce aux soins que vous leur aurez apportés.

Au sujet des transports publics?

Les batteries scellées (AGM) et les batteries au gel ont été conçues pour être utilisées dans les scooters et des véhicules semblables. Ces batteries sont la Federal Aviation Administration (FAA) a approuvé (États-Unis uniquement), permettant le transport en sécurité sur transporteurs aériens, les autobus et les trains car les risques de fuite ou de renversement sont inexistantes. Nous vous suggérons quand même de communiquer avec la compagnie de transport pour connaître leurs exigences.

III. BATTERIES ET RECHARGE

Comment remplacer une batterie dans mon scooter?



OBLIGATOIRE! Les batteries, les bornes et les accessoires contiennent du plomb. Portez des lunettes et des gants pour les manipuler et lavez vos mains après les avoir manipulées.



INTERDIT! Utilisez toujours des batteries identiques, du même modèle, même capacité ampère/heure (Ah). Référez-vous dans ce les spécifications du produit et dans le manuel du chargeur pour connaître le type et modèle recommandé.

MISE EN GARDE! N'utilisez pas une vieille batterie en paire avec une neuve. Il faut toujours remplacer les deux batteries à la fois.



MISE EN GARDE! Contactez votre détaillant autorisé si vous avez des questions au sujet des batteries de votre scooter.

MISE EN GARDE! Ne pas procéder au remplacement lorsque quelqu'un y prend place.

MISE EN GARDE! Le remplacement des batteries de votre scooter doit être fait par votre détaillant autorisé ou un technicien qualifié.



INTERDIT! Tenez les objets et outils métallique loin des bornes des batteries. Un contact avec un outil en métal peut provoquer un choc électrique.

Vous aurez besoin des outils suivants pour remplacer les batteries:

- Ensemble de clés à rochet métriques/standards
- Clé ajustable
- Tournevis



MISE EN GARDE! Ne tentez pas de soulever plus que vous ne le pouvez. Demandez de l'aide au besoin pour l'assemblage ou le démontage de votre scooter.

Pour remplacer une batterie dans votre scooter:

1. Retirez le siège et le capot à batteries. **Voir la figure 15.**
 - a.) Pour modèles 614 et 714, retirez les deux (2) vis moletées du le capot arrière du scooter qui le fixe sur la structure et soulevez-le à la verticale. **Voir la figure 15.**
 - b.) Pour modèles 614 et 714, retirez les quatre (4) vis moletées du couvercle à batteries qui le fixe sur la structure et soulevez-le à la verticale. **Voir la figure 15.**
2. Détachez les courroies des batteries.
3. Pour toute les modèles SAUF 614 et 714, débrancher le faisceau d'avant en arrière. Débrancher les deux câbles de la batterie en retirant chaque faisceau de sa fiche de connexion. **Voir la figure 17.**



MISE EN GARDE! Ne tirez pas directement sur les câbles pour les détacher du scooter. Il faut toujours prendre le connecteur pour détacher le câble afin d'éviter les dommages.

MISE EN GARDE! Débranchez les deux câbles à batteries, le câble de sections avant/ arrière et la câbles des éclairages arrière avant de séparer les sections sous peine d'endommager le scooter.

4. Débranchez les câbles des bornes des batteries en soulevant la couvercles des bornes et en desserrant le boulon et l'écrou sur chaque borne. **Voir la figure 16.**
5. Retirez les vieilles batteries des puits à batteries.

NOTE: Certains scooters ont des entretoises installées pour sécuriser les batteries. Vous pouvez retirer les entretoises et les garder en sûreté jusqu'à ce que les batteries soient remplacées dans le scooter. **Voir la figure 18.**

6. Placez une nouvelle batterie dans chaque puits en prenant soins d'alignez les bornes de la batteries droite près du mât de siège et les bornes de la batterie de gauche loin du mât avec les bornes positive (+) et négative (-) de la batterie positionnées comme indiqué sur la **figure 17.**

III. BATTERIES ET RECHARGE

NOTE: Les modèles 614 et 714 utilisent des sangles de fixation afin de sécuriser les batteries. Veuillez-vous référer à la figure 18 pour les procédures d'installation des sangles de la batterie.

7. Branchez le câble rouge à la borne positive (+) sur chaque batterie.
8. Branchez le câble noir à la borne négative (-) sur chaque batterie.
9. Remplacez les couvercles sur les bornes.
10. Attachez les batteries avec leur courroie d'ancrage.
11. Réinstallez le capot batterie, le capot arrière et le siège.

NOTE: Si vous découvrez qu'une de vos batteries est endommagée ou fissurée, placez-la immédiatement dans un sac en plastique et contactez votre détaillant pour obtenir les instructions pour en disposer de manière sécuritaire. Celui-ci vous informera sur le recyclage des batteries et sur la procédure à suivre.

NOTE: Lors du remplacement des piles dans le 7132, vous devez utiliser le faisceau de cavalier de batterie si vous utilisez 2 piles au lithium en parallèle.

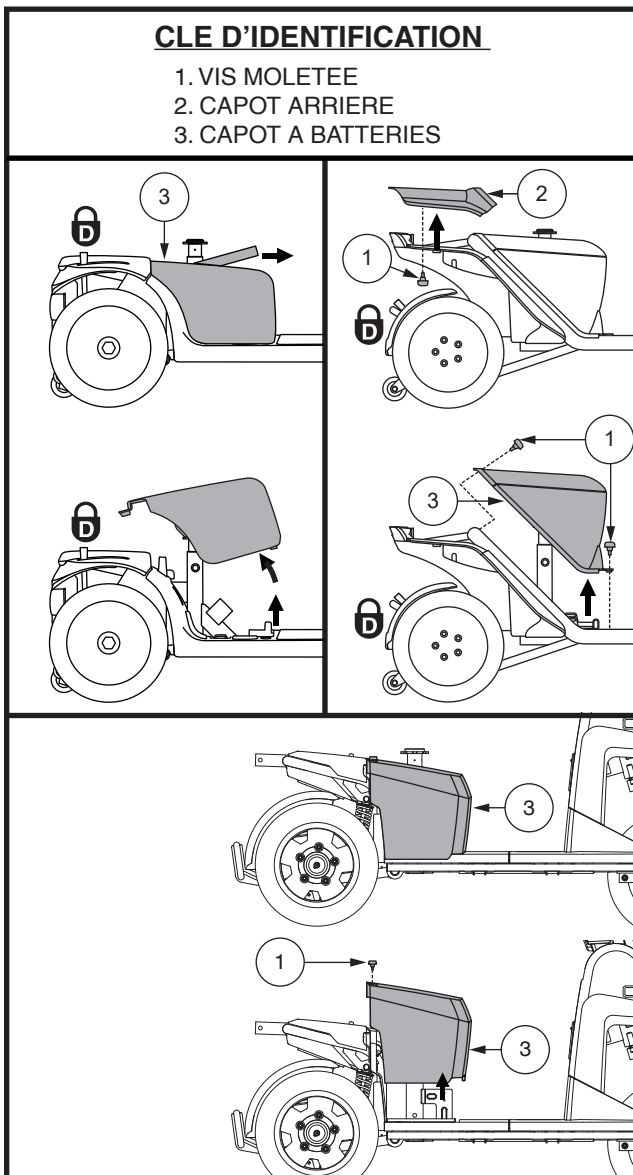


Figure 15. Retirer/Installer le protecteur de la batterie

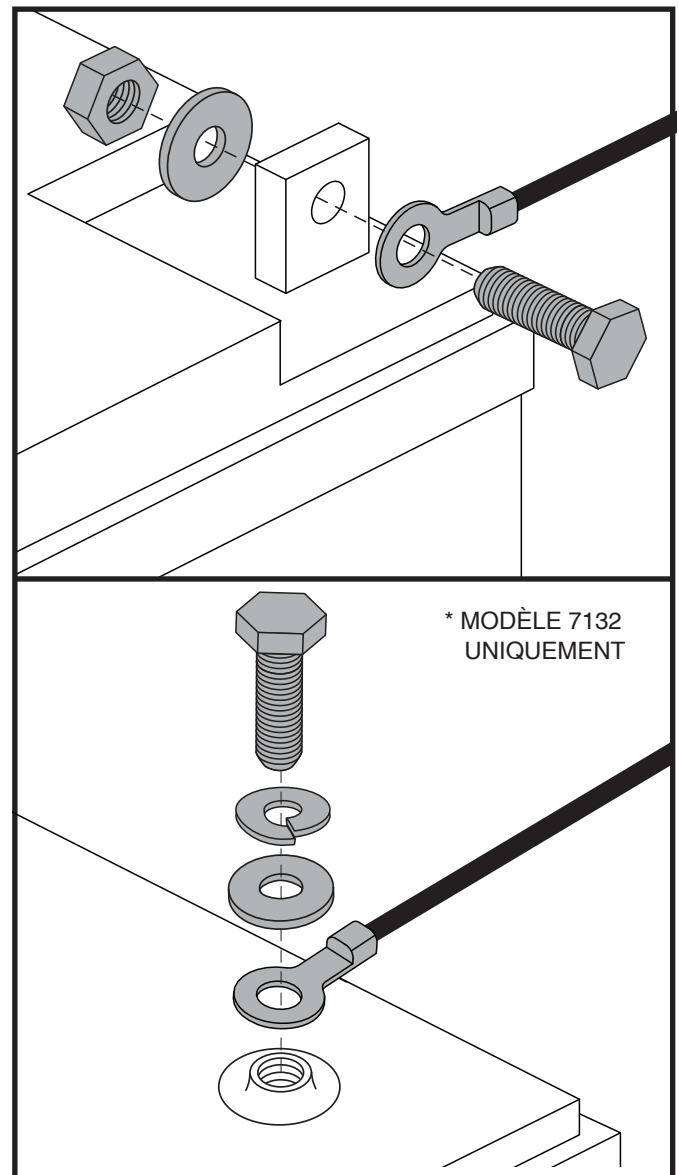
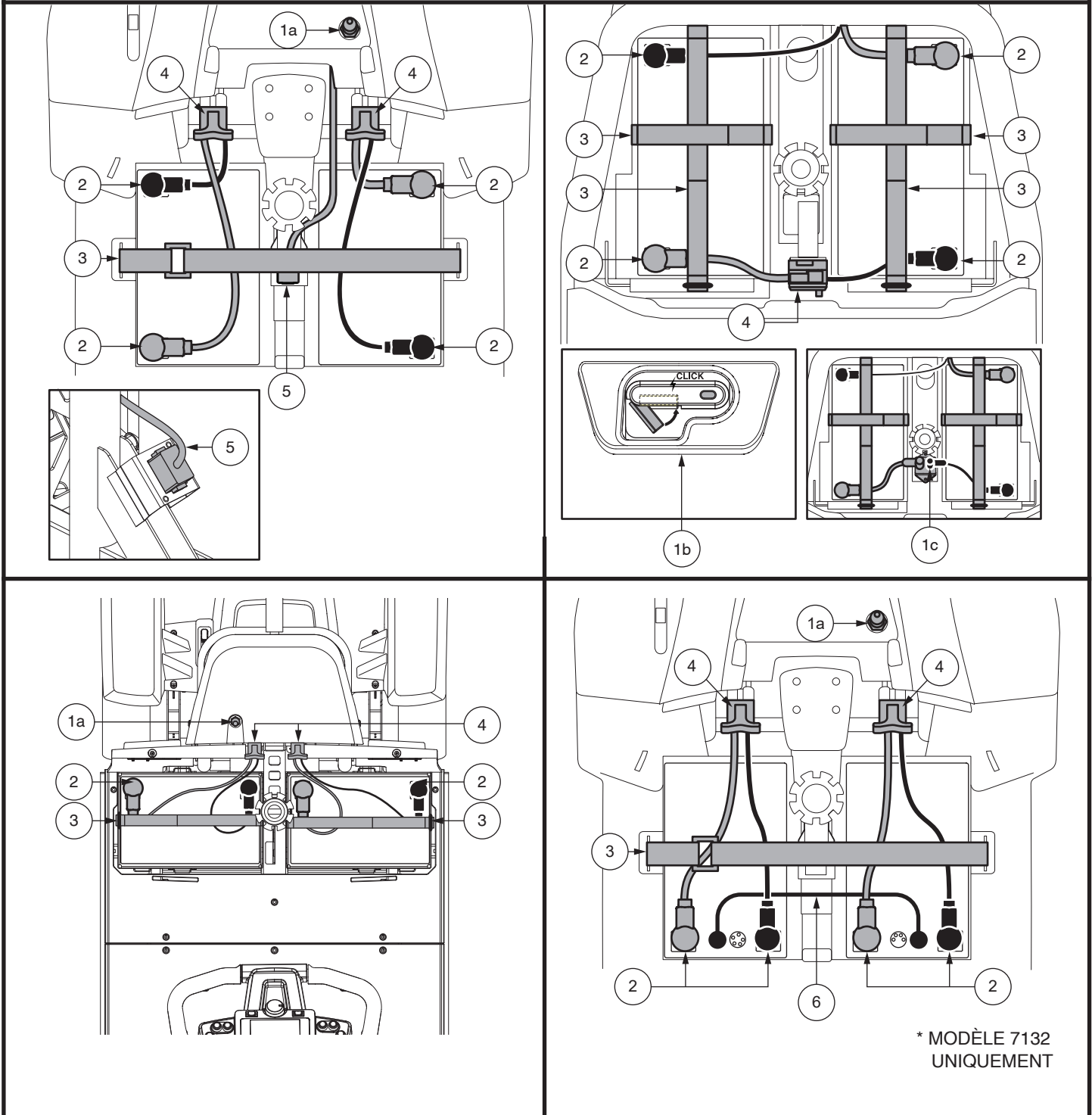


Figure 16. Batterie Borne Matériel

III. BATTERIES ET RECHARGE

CLE D'IDENTIFICATION

- | | |
|--|--|
| 1. DISJONCTEUR DU CIRCUIT PRINCIPAL | 2. CONNECTEURS A BATTERIES SOUS LES BOTTES |
| 1a. Le bouton pour l'enfoncer et rétablir les circuits | 3. SANGLE DE FIXATION DE LA BATTERIE |
| 1b. Levier de réinitialisation | 4. CONNECTEUR DES CABLES DE LA BATTERIE |
| 1c. Style de réinitialisation automatique | 5. CONNECTEUR DU CABLE AVANT/ARRIERE |
| | 6. BATTERIE JUMPER HARNAIS |



* MODÈLE 7132
UNIQUEMENT

Figure 17. Enlèvement/installation des batteries et connexions

III. BATTERIES ET RECHARGE

Sécurisation de la batterie et routage des sangles

1. Sécuriser les batteries dans les puits à batteries en acheminant les sangles de batterie fournies par les fentes du puits de la batterie comme indiqué.
2. S'assurer que la sangle courte passe au-dessus de la sangle longue.

NOTE: Avant de fixer les deux sangles, s'assurer que l'anneau en D est positionné comme indiqué ici. L'anneau en D doit être placé à 2.54 cm (1 po) du, mais ne doit jamais toucher le puits de la batterie.

3. Tout excès de cerclage doit être placé faisant face à l'arrière ou au côté du mât du siège du scooter.



MISE EN GARDE! Les sangles de la batterie ne doivent jamais être placées sous la batterie.

CLE D'IDENTIFICATION

- | | |
|--------------------------|-------------------------------|
| 1. FIXATION REUTILISABLE | 5. LOGEMENT AVANT |
| 2. SANGLE COURTE | 6. LOGEMENT LATÉRAL |
| 3. SANGLE LONGUE | 7. LOGEMENT ARRIÈRE |
| 4. ANNEAU EN D | 8. ENTRETOISES DE LA BATTERIE |

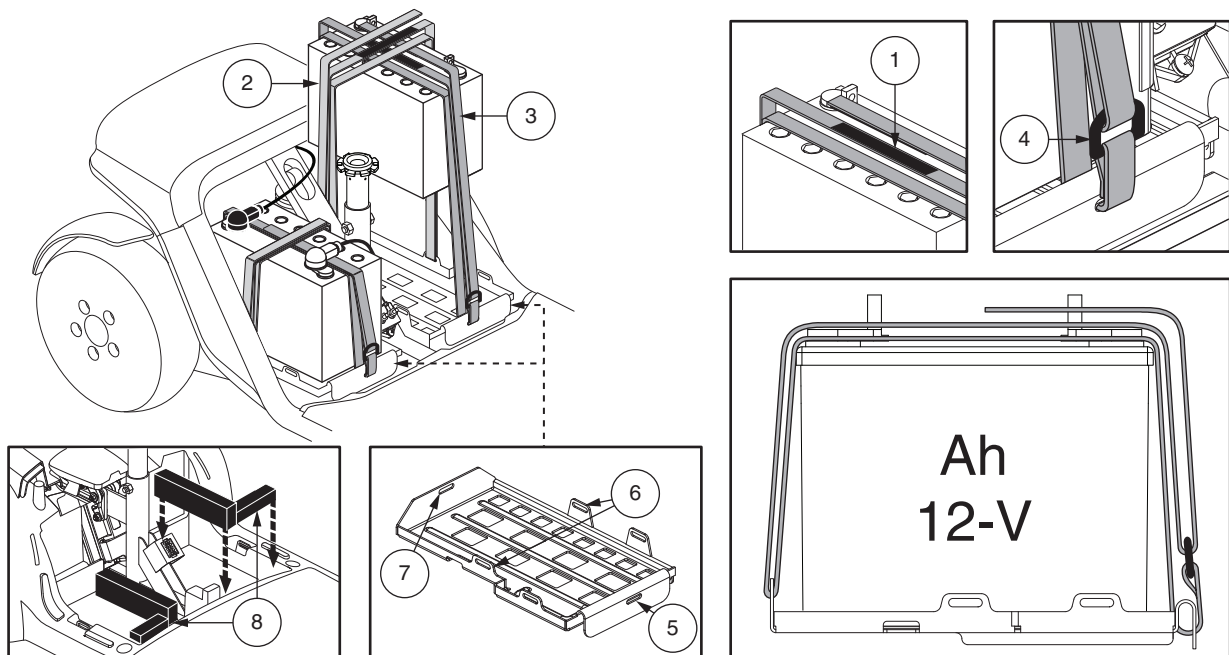


Figure 18. Sécurisation de la batterie pour les modèles 614 et 714

En cas de problème électrique ou d'événement thermique, l'alimentation de la batterie peut être rapidement déconnectée afin que les batteries puissent être isolées pour le transport pour l'entretien (**modèle 7132 uniquement**).

MISE EN GARDE! En cas d'urgence, les batteries peuvent être rapidement déconnectées en tirant vers l'AVANT sur la sangle de déconnexion d'urgence de la batterie. Faites attention. Sachez que couper l'alimentation du scooter peut provoquer un arrêt brusque du scooter. Pour libérer l'arrêt d'urgence et restaurer la capacité de conduite du scooter, retirez le siège et le carénage de la batterie, puis rebranchez le connecteur de la batterie comme illustré à la Figure 16.



MISE EN GARDE! Si la sangle de déconnexion de la batterie est engagée alors que votre scooter est en mouvement, les freins électroniques s'engageront et votre scooter s'arrêtera brusquement.

IV. FONCTIONNEMENT

AVANT DE PRENDRE PLACE SUR VOTRE SCOOTER

- Avez-vous rechargé vos batteries à fond? Voir la section III. “Batteries et recharge.”
- Le scooter est-il embrayé (levier tiré vers l’arrière). Ne jamais laisser le levier en position poussée vers l’avant sauf pour le déplacer manuellement.
- Vérifiez que la température de l’air est comprise entre -25°C/-13 °F à 50°C/122°F.

S’INSTALLER SUR SON SCOOTER

1. Assurez-vous que la clé n’est pas sur le contact.



MISE EN GARDE! Ne jamais monter sur votre scooter sans d’abord retirer la clé du contact. Ceci évitera un contact accidentel avec un des leviers d’accélérateur.

2. Tenez-vous debout à côté de votre scooter.
3. Débloquez le siège et faites-le pivoter jusqu’à ce qu’il soit face à vous.
4. Assurez-vous qu’il est bien bloqué en place.
5. Asseyez-vous confortablement sur le siège.
6. Débloquez le siège et pivotez pour faire face à l’avant du scooter.
7. Assurez-vous qu’il est bien bloqué en place.
8. Vérifiez que vos pieds soient bien posés sur le plancher du scooter.

VERIFICATIONS AVANT DEPART

- Le siège est-il à la bonne hauteur? Voir la section V. “Réglages confort.”
- Le siège est-il bloqué en position?
- Avez-vous réglé et verrouillé l’angle du mât du guidon pour être confortablement installé? Voir la section V. “Réglages confort.”
- La clé est-elle complètement enfoncée dans le contact et le scooter est-il allumé?
- Le klaxon fonctionne-t-il?
- Avant de partir, assurez-vous qu’il n’y a personne ni aucun obstacle devant vous.
- Avez-vous choisi votre parcours afin d’éviter les pentes et les surfaces difficiles?
- Avant de conduire votre scooter, en particulier après l’avoir entreposé, serrez complètement le levier de frein à main cinq à sept (5 à 7) fois pour confirmer le bon fonctionnement du frein à main.

FONCTIONNEMENT DE VOTRE SCOOTER

MISE EN GARDE! Les situations suivantes peuvent affecter la stabilité et/ou la conduite de votre scooter:

- Tenir ou attacher la laisse de votre animal de compagnie
- Prendre un passager (humain ou animal)
- Suspendre tout objet au guidon
- Remorqué ou être poussé par un autre véhicule



MISE EN GARDE! Risque de basculement! Évitez les manoeuvres à haute vitesse. Nous recommandons de régler le bouton de vitesse au minimum jusqu’à ce que vous soyez devenu familier avec les commandes et le fonctionnement de votre scooter.

MISE EN GARDE! Les distances de freinage du scooter sont plus grandes sur un plan incliné qu’à l’horizontale.

MISE EN GARDE! Gardez vos deux mains sur le guidon et les deux pieds sur le plancher en tout temps afin de conserver un meilleur contrôle de votre véhicule.

- Réglez le bouton de vitesse au niveau désiré.
- Pesez ou tirez sur le levier d’accélérateur approprié.
- Les freins électriques se relâcheront automatiquement et votre scooter avancera à la vitesse sélectionnée.
- Tirez le guidon vers la gauche pour avancer vers la gauche.
- Tirez le guidon vers la droite pour aller vers la droite.

IV. FONCTIONNEMENT

- Placez le guidon au centre pour avancer en droite ligne.
- Relâchez l'accélérateur pour ralentir et vous arrêter complètement. Les freins électromagnétiques de stationnement s'engageront automatiquement dès que le scooter sera arrêté.

NOTE: *La vitesse arrière de votre scooter est plus lente que la vitesse avant que vous réglez avec le bouton de vitesse.*

POUR DESCENDRE DE VOTRE SCOOTER

1. Arrêtez votre scooter complètement.
2. Retirez la clé du contact.



MISE EN GARDE! Ne jamais monter sur votre scooter sans d'abord retirer la clé du contact. Ceci évitera un contact accidentel avec un des leviers d'accélérateur.

3. Débloquez le pivot du siège et faites-le tourner jusqu'à ce que vous soyez face au côté du scooter.
4. Assurez-vous que le siège est verrouillé après avoir relâché la manette.
5. Descendez prudemment et tenez-vous debout près de votre scooter.
6. Vous pouvez laisser le siège face à vous, prêt pour votre prochaine sortie.

DISPOSITIF SAUVE ENERGIE

Votre scooter est équipé d'une fonction de minuterie d'arrêt automatique conçue pour empêcher votre scooter de bouger s'il est laissé sans surveillance. Si vous laissez par erreur la clé en position «on» mais n'utilisez pas votre scooter pendant environ 20 minutes, le contrôleur du scooter s'éteint automatiquement. Bien que le contrôleur soit arrêté, le système électrique du scooter sera toujours alimenté.

Si le courant a été coupé par le dispositif automatique, suivez les étapes suivantes pour rétablir le fonctionnement:

1. Retirez la clé du contact.
2. Insérez la clé dans le contact et tournez vers la position "on".

V. REGLAGES CONFORT

REGLAGE DE L'INCLINAISON DU GUIDON (Voir la figure 1, 8 ou 19)

MISE EN GARDE! Retirez la clé du contact avant de changer les réglages du guidon ou ceux du siège. Ne tentez jamais de régler le siège ou le guidon lorsque le scooter est en mouvement.



MISE EN GARDE! Avant d'utiliser le scooter, pousser et tirer sur le guidon pour assurer que le mécanisme de réglage de l'angle est sécurisé. Inspecter le bouton de réglage du guidon et le mécanisme de réglage de l'angle pour assurer qu'ils sont pleinement engagés. S'il y a du mouvement dans le guidon, assurez-vous que le bouton de réglage de la barre est bien serré.



MISE EN GARDE! N'essayez pas d'utiliser le levier de réglage du guidon comme un frein de stationnement.

NOTE: Le siège doit avoir été retiré afin de pouvoir abaisser le guidon jusqu'au niveau du plancher du scooter.

MIROIR

Pour installer le miroir (voir la figure 1 ou 8):

1. Déterminez de quel côté vous installerez le miroir et retirez le bouchon sur la poignée du guidon.
2. Insérez la partie fileté du miroir et faites-le pivoter dans le sens des aiguilles d'une montre jusqu'à ce qu'il soit bien serré.
3. Au besoin, tournez l'écrou dans le sens des aiguilles d'une montre pour le bloquer en place.

Pour ajuster le miroir:

1. Prenez la position de conduite avant sur le siège.
2. Ajustez le miroir afin d'obtenir une bonne vision arrière.

REGLAGE DU DOSSLER

MISE EN GARDE! N'utilisez pas votre scooter lorsque le dossier est en position inclinée.



MISE EN GARDE! Gardez votre dos en contact avec le dossier en tout temps en contact avec le dossier lorsque vous faites son réglage.

Si votre scooter est équipé d'un siège à dossier inclinable, vous pouvez changer l'inclinaison du dossier avec le levier de réglage du dossier. Voir la figure 20.

1. Alors que votre dos est bien en contact avec le dossier, tirez sur le levier et penchez votre torse vers l'avant ou vers l'arrière pour régler l'angle du dossier.
2. Relâchez le levier dès que le dossier atteint la position de conduite désirée.

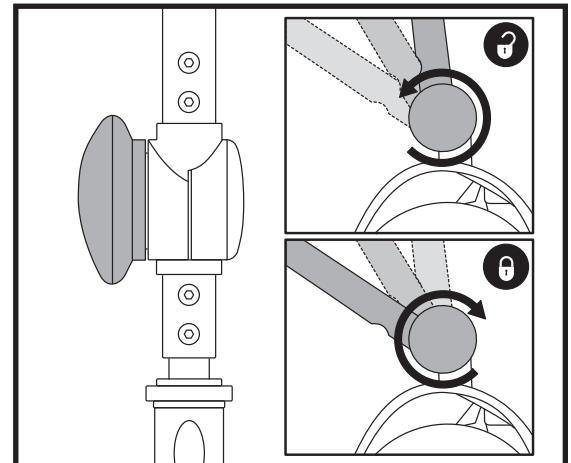


Figure 19. Réglage du guidon

CLE D'IDENTIFICATION

1. LEVIER DE REGLAGE DU DOSSLIER
2. LEVIER DE ROTATION
3. ROULETTE DE REGLAGE
4. LEVIER DE GLISSIERE
5. SUPPORT D'ACCESSOIRE
6. GOUPILLE

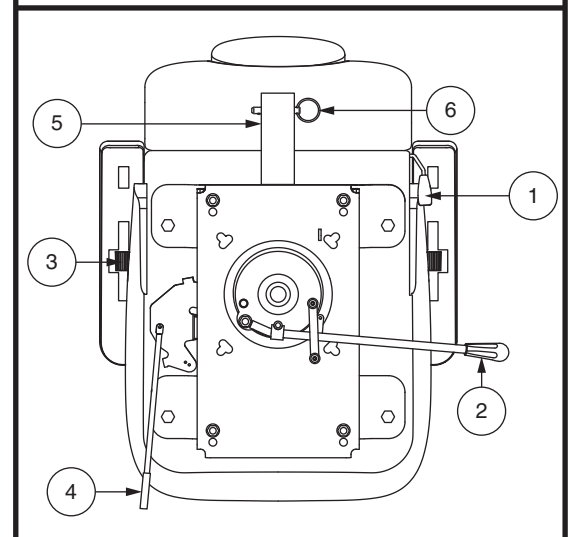


Figure 20. Réglage du siège

V. REGLAGES CONFORT

ROTATION DU SIEGE

Le levier de rotation est situé sur le coté droit de la base du siège et le bloque dans plusieurs positions.

1. Tirer vers le haut l'avant le levier de rotation du siège afin de dégager le siège. **Voir la figure 20.**
2. Faites-le pivoter vers la direction désirée.
3. Relâchez le levier pour le bloquer en place.

REGLAGE DE L'INCLINAISON DES ACCOUDOIRS

Élevez ou abaissez l'inclinaison des accoudoirs en tournant la roulette de réglage sous l'accoudoir. **Voir la figure 20.**

NOTE: Les accoudoirs peuvent être relevés à la verticale pour faciliter les transferts.

REGLAGE AVANT/ARRIERE DU DOSSIER

Vous pouvez déplacer le siège vers l'avant ou vers l'arrière pour régler la distance entre le siège et le guidon.

1. Déplacez le levier coulissant du siège (situé sur le côté inférieur gauche du siège) vers l'extérieur. **Voir la figure 20.**
2. Tout en maintenant le levier vers l'extérieur, faites glisser le siège vers l'avant ou vers l'arrière.
3. Relâchez le levier lorsque le siège atteint la position désirée.

SUPPORT D'ACCESSOIRE

Le support d'accessoire monté à l'arrière vous permet d'attacher un accessoire personnel comme un panier, support pour marchette ou réservoir d'oxygène à l'arrière de votre scooter. Utiliser la goupille de verrouillage afin de bien fixer votre article au support d'accessoire. **Voir la figure 20.** Consultez votre détaillant autorisé pour plus de détails.

REGLAGE HAUTEUR DU SIEGE

Le siège possède plusieurs niveaux de réglage de hauteur différents. **Voir la figure 21.**

1. Retirez le siège et le capot de votre scooter.
2. Retirez le boulon de réglage de la hauteur.
3. Élevez ou descendez le siège vers le niveau désiré.
4. Tenez le siège et alignez les trous dans le mât et dans la base du mât.
5. Insérez le boulon de réglage au travers des trous du mât et de la base du mât.
6. Réinstallez l'écrou et resserrez bien.
7. Réinstallez le capot et le siège.

CLE D'IDENTIFICATION

1. MAT DU SIEGE
2. ECROU
3. BOULON DE REGLAGE DU MAT
4. BASE DU MAT

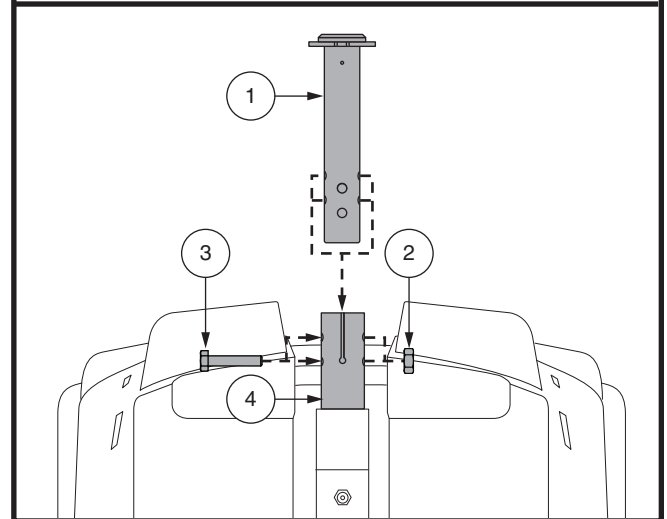


Figure 21. Réglage de la hauteur du siège

CLE D'IDENTIFICATION

1. CAPOT
2. MONTANT SUPERIEUR DU SIEGE
3. RESSORT
Capacités des poids: 0-90.72 kg (0-220 lb)
90.72-181.44 kg (220-400 lb)
4. ENTRETOISE
5. BOULON A EPAULEMENT (210 IN • LB [24 N • M])
6. MONTANT INFERIEUR DU SIEGE
7. RONDELLE
8. ECROU

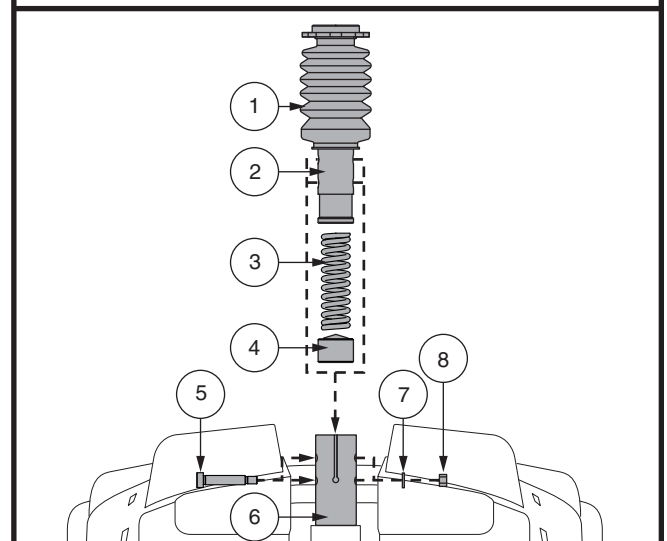


Figure 22. Réglage Hauteur du Siège - Montant du Siège Comfort

V. REGLAGES CONFORT

REGLAGE HAUTEUR DU SIEGE - MONTANT DU SIEGE CONFORT (SI EQUIPPE)

Pour repositionner le siège à une des deux hauteurs différentes:

1. Retirez le siège du scooter. Tirer vers le haut et maintenez le levier de rotation du siège pour dégager le siège, puis tourner le siège et retirez-le du scooter.
2. Retirez le capot arrière.
3. Pousser le capot du montant vers le haut pour découvrir la quincaillerie de montage.
4. Poussez vers le bas le montant du siège tout en desserrant et en enlevant le boulon à épaulement, la rondelle et l'écrou. **Voir la figure 22.**
5. Retirez le ressort de confort.
6. Pour relever le siège au trou de montage le plus haut, insérer l'entretoise de réglage de la hauteur. Pour abaisser le siège au trou de montage le plus bas, retirez l'entretoise de réglage de la hauteur.
7. Réinstallez le ressort de confort.
8. Maintenez le montant du siège à la hauteur désirée et faites correspondre les trous de positionnement du montant du siège avec ceux de la tourelle du siège. Utiliser les trous du haut pour la position supérieure ou les trous du bas de la position inférieure.

NOTE: Lorsque le montant du siège est en position haute, vous devez utiliser deux entretoises.

9. Poussez vers le bas le montant du siège lors de la réinstallation de la quincaillerie et du serrage 210 in • lb (24 N • m).
10. Réinstallez le capot arrière et le siège.

REGLAGE SUSPENSION DU SIEGE (SI DISPONIBLE)

Vous pouvez desserrer ou serrer la suspension du siège en fonction du ressort de confort que vous installez.

Pour ajuster la suspension du siège:

1. Retirez le siège du scooter. Pousser en avant ou tirer vers le haut et maintenez le levier de rotation du siège pour dégager le siège, puis tourner le siège et retirez-le du scooter.
2. Retirez le capot arrière.
3. Poussez le capot du montant vers le haut pour découvrir la quincaillerie de montage.
4. Poussez vers le bas le montant du siège tout en desserrant et en enlevant le boulon à épaulement, la rondelle et l'écrou.
5. Retirez le ressort de confort.
6. Installez le ressort de confort désiré. **Voir la figure 22.**
7. Poussez vers le bas le montant du siège lors de la réinstallation de la quincaillerie et du serrage 210 in • lb (24 N • m).
8. Réinstallez le capot arrière et le siège.

CEINTURE DE POSITIONNEMENT (FACULTATIF)

Votre scooter peut être équipé d'une ceinture de positionnement de type automobile réglable pour votre confort. La ceinture de positionnement est conçue pour supporter et empêcher le conducteur de glisser ou d'avancer sur le siège. La ceinture de positionnement n'est pas une ceinture de sécurité.

MISE EN GARDE! La ceinture de positionnement n'est pas conçue pour remplacer la ceinture de sécurité dans un véhicule moteur. De plus, le scooter n'est pas conçu pour être occupé lorsque celui-ci est à bord d'un véhicule routier. Toute personne à bord d'un véhicule moteur doit porter la ceinture de sécurité du véhicule approuvé par le fabricant.



MISE EN GARDE! La ceinture de positionnement doit être sécurisée à tout moment. Ne laissez jamais la ceinture de positionnement suspendue en l'air ou trainer sur le sol car elle peut s'emmêler.

V. REGLAGES CONFORT

Pour installer la ceinture de positionnement (si requis):

1. Retirez le siège du scooter.
2. Placez le siège à l'envers pour faire face à sa base. Voir la figure 23.
3. Retirez les deux boulons aux extrémités de la courroie de montage du siège.
4. Insérez les boulons dans la ceinture (bout approprié) et au travers de la courroie de montage de chaque côté du siège.
5. Resserrez les boulons.

Ceinture de positionnement de type attache en métal

Pour régler le confort de la ceinture de positionnement:

1. Insérez l'onglet de la ceinture côté droit dans la boucle de ceinture côté gauche jusqu'à ce que vous entendiez le "clic". Voir la figure 24.
2. Tirez sur la courroie du côté droit jusqu'à ce que la tension soit adéquate mais pas trop serrée.

Pour détacher la ceinture de positionnement:

3. Pesez sur le bouton de détente du mécanisme sur le boîtier de plastique.

OBLIGATOIRE! Assurez-vous que la ceinture de positionnement soit en place et bien réglée pour votre confort.

OBLIGATOIRE! Avant chaque utilisation du scooter, inspectez la courroie de positionnement pour pièces détachées ou dommages, y compris les déchirures, zones usées, la quincaillerie pliée ou mécanismes de verrouillage endommagés, la saleté ou débris. Si vous découvrez un problème, contactez votre détaillant autorisé pour la réparation.

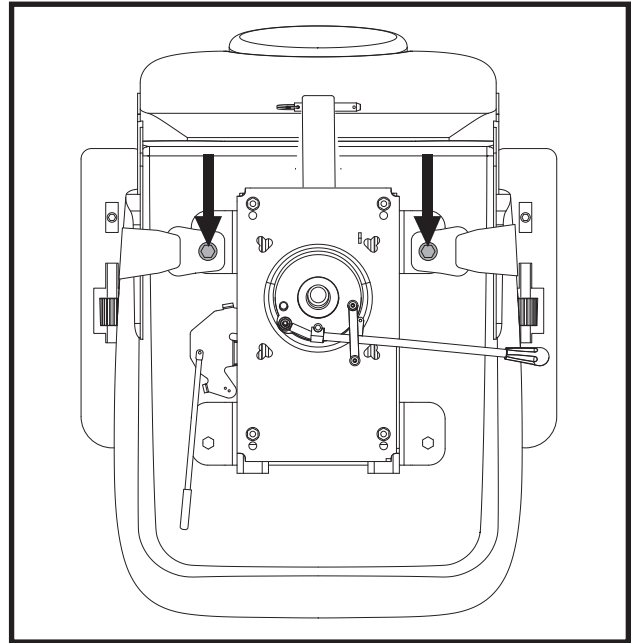


Figure 23. Boulons du ceinture de positionnement

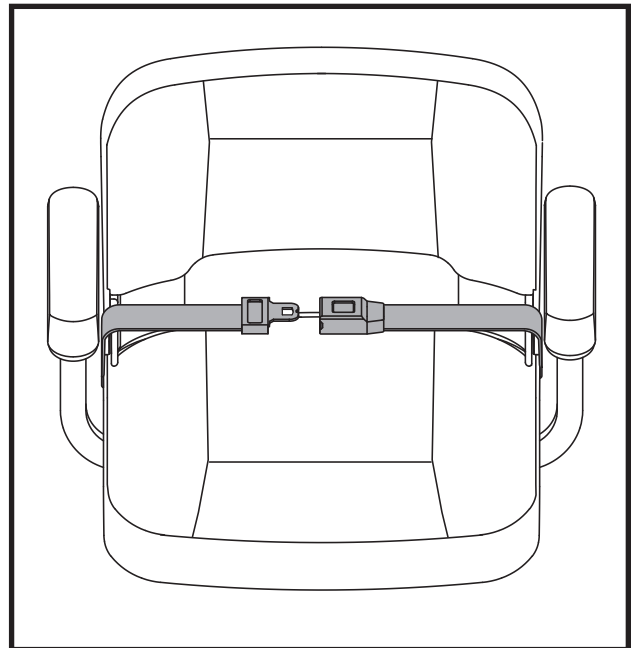


Figure 24. Ceinture de positionnement - De type attache en métal ou ceinture de positionnement - Crochet réutilisable et boucle de fixation

VI. MONTAGE ET DEMONTAGE

NOTE: Veuillez vérifier le tableau des Caractéristiques du Scooter afin de déterminer si votre modèle de scooter peut être démonté à des fins de transport ou de stockage.

DEMONTAGE

Le scooter est démontable en plusieurs sections: le siège, la section arrière, la section avant, le panier, les batteries, et la capot à batteries. **Voir la figure 25.** Aucun outil n'est requis pour assembler ou démonter le scooter cependant gardez en mémoire que les pièces démontées occuperont plus d'espace de plancher que le fauteuil complètement assemblé. Toujours procéder à l'assemblage ou au démontage de votre scooter sur une surface sèche et à niveau. Assurez-vous d'avoir environ 1.5 mètre (cinq pieds) de dégagement dans toutes les directions. Gardez en mémoire que certaines composantes du scooter sont lourdes et qu'il vous faudra possiblement de l'aide pour les manipuler.



MISE EN GARDE! Ne tentez pas de soulever plus que vous ne le pouvez. Demandez de l'aide au besoin pour l'assemblage ou le démontage de votre Scooter.

MISE EN GARDE! Ne soulevez pas le siège ou scooter par les accoudoirs. Ils peuvent pivoter et vous faire perdre le contrôle.

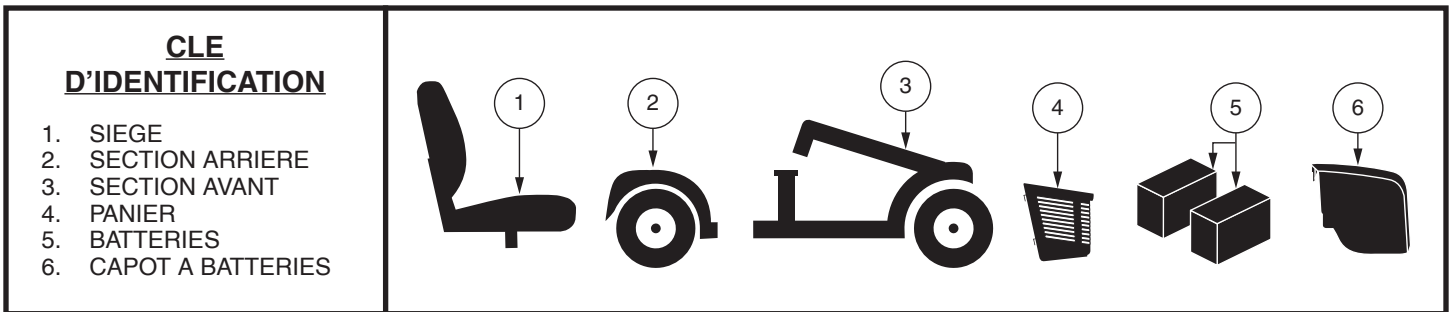


Figure 25. Démontage du Scooter

Pour démonter votre scooter:

1. Retirez le siège en le soulevant bien droit à la verticale. Si le siège résiste et ne s'enlève pas facilement, pesez sur le levier de pivot du siège pour le bouger de gauche à droite afin de soulever et le retirer le siège.
2. Tirez doucement vers l'avant sur le protecteur de la batterie, puis le soulever hors du scooter.
3. Détachez les courroies d'ancrage des batteries.
4. Débranchez le câble avant/arrière aussi.
5. Débrancher les deux faisceaux de la batterie en appuyant sur les languettes et puis en tirant chaque faisceau tout droit vers le haut. **Voir la figure 17.**
6. Retirez les batteries des puits à batteries.

NOTE: Si des entretoises sont installées afin de sécuriser les batteries, les retirer et les garder en sûreté jusqu'à ce que le scooter soit remonté. Voir la figure 18.



MISE EN GARDE! Débranchez les deux câbles à batteries avant de séparer les sections avant et arrière sous peine d'endommager votre scooter.

VI. MONTAGE ET DEMONTAGE

Démontage du châssis

Pour séparer le cadre:

1. Alignez la(les) roue(s) avant bien droite dans l'axe du scooter.
2. Abaissez le guidon.

NOTE: Le guidon est équipé d'un dispositif qui l'empêche de tourner lorsque celui-ci est en position complètement abaissée et bloquée.

3. Relevez le levier de blocage du cadre.
Voir la figure 26.
4. Soulevez la section avant afin de complètement dégager et séparer les crochets de la section arrière.
5. Séparez lentement les sections.

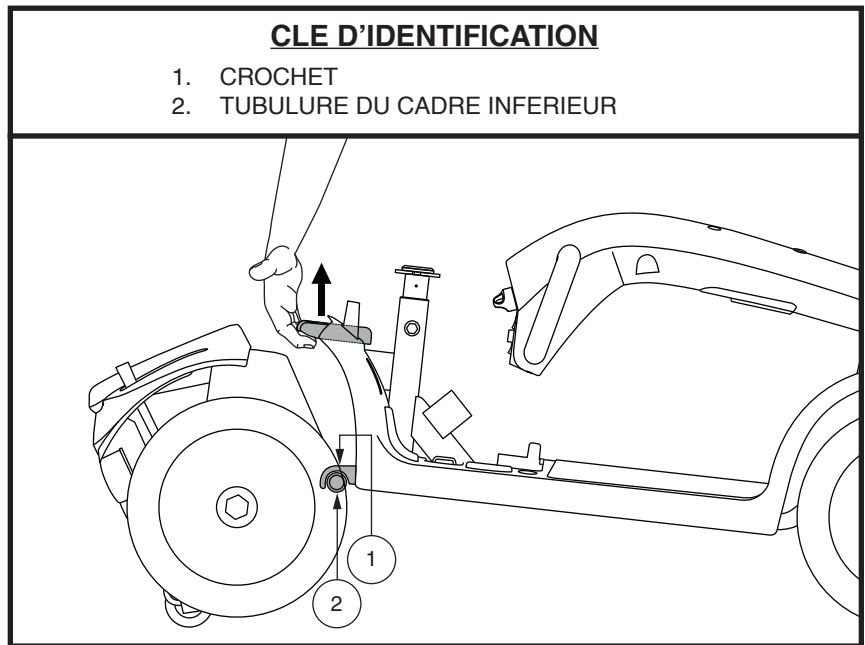


Figure 26 Levier de blocage du cadre

MONTAGE

Pour assembler votre scooter:

1. Positionnez les sections. **Voir la figure 26.**
2. Prenez le levier de blocage pour soulever la section avant en alignant les crochets de section avant avec les tubes de la section arrière.
3. Lorsque les crochets sont bien alignés sur le tube inférieur de la section arrière, abaissez la section avant complètement afin d'engager le blocage.
4. Relevez le guidon.
5. Branchez les câbles avant/arrière.
6. Réinstallez les plaques d'écartement des batteries si applicable. **Voir la figure 18.**
7. Réinstallez les batteries dans les puits à batteries.
8. Branchez les câbles sur les deux batteries. **Voir la figure 17.**
9. Ancrez les batteries avec leurs courroies.
10. Réinstallez le capot à batteries.
11. Réinstallez le siège et faites le pivoter pour le bloquer en place.



MISE EN GARDE! Toujours vérifier que le guidon est déverrouillé avant de monter sur votre Scooter.

VII. PROBLEMES ET SOLUTIONS

Tout appareil électronique nécessite un entretien régulier. Souvent, lorsque des problèmes surviennent, le gros bon sens règle la plupart d'entre eux. De plus, plusieurs problèmes sont causés par des batteries défectueuses ou insuffisamment chargées.

CODES DIAGNOSTIQUES

Ce type de diagnostic est prévu pour vous aider à identifier les problèmes possibles avec votre Scooter. Ce codes diagnostiques se produira dans l'éventualité ou une des situations décrites ci-dessous se manifeste. Selon le modèle que vous possédez, votre scooter communiquera à l'aide des méthodes de codage suivantes:

1. Un codes diagnostiques commence par une série de bips et/ou flashs représentant le code actuel. Le code est émis une fois seulement. Pour répéter le code, retirez la clé et réinsérez-la et et tournez vers la position "on", **OU**
2. Un codes diagnostiques permettra d'identifier la condition, en pause, puis le code sonore se répétera. Le code continuera à vous alerter de cette manière jusqu'à ce que le scooter soit éteint.

NOTE: Votre scooter ne fonctionnera pas tant que la condition qui crée ce code n'est pas résolue et que votre scooter a été éteint puis rallumé.

CODES	PROBLEMES	SOLUTION
■ (1)	Battery faibles.	Rechargez les batteries dès que possible.
■■ (2)	Battery trop faibles.	Rechargez les batteries.
■■■ (3)	Voltage trop élevé pour le fonctionnement ou le chargeur est encore branché au réceptacle.	Débranchez le chargeur, coupez le contact et rétablissez-le.
■■■■ (4)	Coupe-circuit automatique engagé.	Coupez le contact pendant quelques minutes puis, rétablissez-le.
■■■■■ (5)	Le levier d'embrayage est en position débrayé (vers l'avant).	Coupez le contact (retirez la clé) poussez le levier d'embrayage vers l'arrière (embrayé) et remettez le contact.
■■■■■■ (6)	Levier d'accélérateur n'est pas en position centrée lorsque lors de l'allumage.	Vérifiez si les batteries sont chargées complètement. Si elles le sont, alors remplacez le levier au centre, coupez le contact et rétablissez-le.
■■■■■■■ (7)	Potentiomètre de vitesse en panne.	Contactez votre détaillant autorisé pour obtenir de l'aide.
■■■■■■■■ (8)	Moteur en panne.	Contactez votre détaillant autorisé pour obtenir de l'aide.
■■■■■■■■■ (9)	Autres problèmes internes.	Contactez votre détaillant autorisé pour obtenir de l'aide.

Figure 27. Modèles avec tableau de bord

Que faire si le scooter semble complètement "mort?"

- Assurez-vous que la clé de contact est bien insérée à fond.
- Vérifiez que les batteries soient pleinement chargées.
- Pesez sur le bouton du disjoncteur principal. Voir la section II. "Votre Scooter".
- Vérifiez la solidité des connexions des câbles de batteries et le câble des sections.
- Assurez-vous que le dispositif sauve energie n'est pas activé. Voir la section IV. "Fonctionnement".

VII. PROBLEMES ET SOLUTIONS

CODE	PROBLEMES	SOLUTION	MESSAGE D'ERREUR
1	Les batteries doivent être rechargées	Rechargez les batteries dès que possible.	N/A
2	Basse tension, les batteries doivent être immédiatement rechargées	Rechargez les batteries dès que possible.	BV / DE
3	Surtension	Débranchez le chargeur, coupez le contact et rétablissez-le.	HTENS
4	Surintensité	Coupez le contact pendant quelques minutes puis, rétablissez-le.	HCOUR
5	Défaillance du frein de stationnement	Coupez le contact (retirez la clé) poussez le levier d'embrayage vers l'arrière (embrayé) et remettez le contact.	FREIN
6	Levier d'accélérateur n'est pas en position centrée lorsque lors de l'allumage	Remplacez le levier au centre, coupez le contact et rétablissez-le.	GAZPA
7	Levier d'accélérateur cassé ou défaillance du levier d'accélérateur	Contactez votre détaillant autorisé pour obtenir de l'aide.	GAZPA
8	Défaillance du moteur	Contactez votre détaillant autorisé pour obtenir de l'aide.	MOTHS
9	Autre défaillance	Contactez votre détaillant autorisé pour obtenir de l'aide.	AUTRE

Figure 28. Modèle 614 avec panneau de commande LCD

Que faire si le scooter refuse de bouger lorsque j'appuis sur les accélérateurs?

- Lorsque le levier d'embrayage est en position poussée vers l'avant, les freins sont relâchés et le courant est complètement coupé.
- Poussez le levier d'embrayage vers l'arrière, coupez le contact du fauteuil puis remettez le contact pour rétablir le fonctionnement normal.

Que faire si le disjoncteur saute à répétition?

- Si le disjoncteur principal saute continuellement, contactez votre détaillant autorisé.
- Rechargez vos batteries plus souvent. Voir la section III. "Batteries et recharge".
- Voyez la section III. "Batteries et recharge" ou la section "Specifications de Produit" pour les informations concernant les batteries de votre scooter.

Que faire si l'aiguille de la jauge à batteries plonge et que le moteur hésite lorsque j'appuis sur l'accélérateur de mon scooter?

- Rechargez complètement vos batteries. Voir la section III. "Batteries et recharge".

Si vous rencontrez des problèmes que vous n'arrivez pas à résoudre vous-même, contactez votre détaillant autorisé pour obtenir des informations ou du service.

VIII. SOINS ET ENTRETIEN

Votre scooter demande un minimum de soins. Si vous croyez ne pas posséder les connaissances et habiletés pour exécuter les consignes suivantes, vous pouvez les faire exécuter par votre détaillant autorisé. Les points suivants demandent un entretien périodique.

PRESSIION DES PNEUS – PNEUS GONFLABLES

- Si votre scooter est équipé de pneus gonflables, maintenez en tout temps la pression d'air psi/bar/kPa indiquée dans chaque pneu.



MISE EN GARDE! Il est extrêmement important de maintenir en tout temps la pression d'air indiquée en psi/bar/kPa sur chaque pneu. Ne pas surgonfler ou sousgonfler les pneus sous peine de provoquer une perte de contrôle ou l'éclatement du pneu. Un pneu qui n'est pas gonflé en tout temps selon la pression psi/bar/kPa indiqué sur son flanc peut s'endommager ou endommager la jante de roue.

- Inspectez régulièrement les pneus pour détecter les signes du dommage ou d'usure.

SURFACES EXTERNES

Les pare-chocs et garnitures peuvent bénéficier d'une couche occasionnelle de protecteur à caoutchouc.



MISE EN GARDE! Ne jamais appliquer de protecteur à caoutchouc sur la bande de roulement des pneus ou sur le siège de vinyle au risque de les rendre très glissants.

NETTOYAGE ET DESINFECTATION

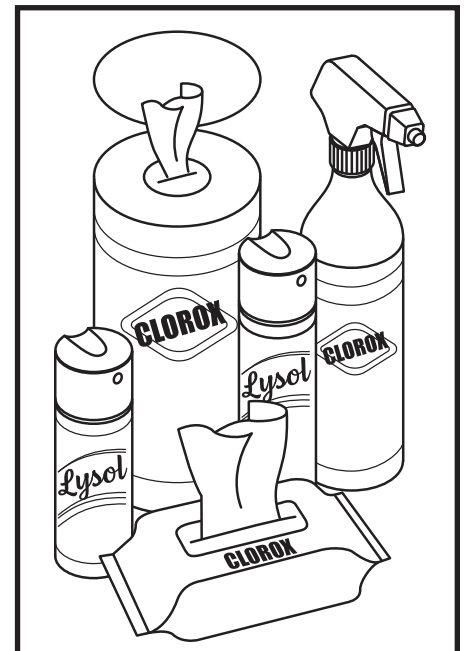
Des précautions doivent être prises lors du nettoyage des équipements/dispositifs pour réduire le risque de propagation de l'infection. Il s'agit de limiter la propagation de la maladie et d'autres matériels potentiellement infectieux (OPIM) (composants sanguins).

- Utilisez un linge humide sans agent abrasif pour nettoyer les surfaces de métal ou de plastique de votre scooter. Évitez les produits abrasifs qui abîmeront les surfaces de votre scooter.
- Au besoin, utiliser un produit désinfectant. Assurez-vous que le produit n'est pas dangereux avant de l'utiliser.

COMMENT NETTOYER/DESINFECTER L'EQUIPEMENT:

SURFACES DURES/MOLLES (enveloppes en plastique, charpente métallique, tissu de siège, pneus, accoudoirs et repose-pieds, le cas échéant)

- Pour les surfaces dures/molles, éliminez la contamination visible si elle est présente.
 - Pour le plastique et le métal, utilisez le spray/lingettes désinfectantes Lysol®/Clorox® et d'autres produits désinfectants SARS-CoV-2 qualifiés.
 - Pour les autres surfaces en vinyle, nettoyez avec des lingettes désinfectantes sans danger pour le vinyle ou solutions.
 - Désinfectants suggérés
 - Désinfectant Birex® SE, Bleach-Rite® Spray désinfectant, Citrace® Germicide
 - Dispatch® Spray Hospital Cleaner Désinfectant avec Eau de Javel
 - Solution d'eau de Javel diluée (dilution à 10% ou moins); Remarque : un agent de blanchiment avec un facteur de pH compris entre 7 et 9 convient ; un produit avec un pH de 10,5 ou plus peut endommager l'intégrité de la surface du vinyle sur une longue période de temps.



VIII. SOINS ET ENTRETIEN

- Lingettes désinfectantes
 - Clorox, Green Works, Lingettes PDI Sani-Cloth HBLysol, Oxivir, Virox et CaviWipes.
- Pour le nettoyage des pneus, nettoyez avec des nettoyeurs pour pneus/roues du commerce

ELECTRONIQUE (contrôleur joystick, écrans améliorés, écrans tactiles, télécommandes, claviers, téléphones portables et tablettes, le cas échéant)

- Pour l'électronique, éliminez la contamination visible si elle est présente.
 - Désactivez le périphérique et déconnectez les piles.
 - Ne vaporisez jamais de liquides directement dans le(s) produit(s).
 - Humidifiez un chiffon en microfibre avec un mélange d'alcool isopropylique à 70 % / solution d'eau à 30 %. Le tissu doit être humide, mais pas dégoulinant ou excessivement mouillé. Séchez soigneusement les surfaces pour éviter les accumulations de liquides et avant la boxeg.

MISE EN GARDE! Suivez toutes les consignes de sécurité pour une utilisation appropriée du désinfectant et/ou de l'agent de nettoyage avant de l'appliquer sur votre produit. Le non-respect de cette consigne peut entraîner une irritation de la peau ou une détérioration prématurée du revêtement et/ou des finitions du scooter.

MISE EN GARDE! N'utilisez jamais d'agent de nettoyage ou de désinfection, de solvant, de lubrifiant ou tout autre produit sur les plaquettes de frein, les disques de frein, la boîte-pont, le moteur/la boîte de vitesses de votre produit de mobilité. Cela pourrait endommager les composants et/ou les empêcher de fonctionner correctement. Des dommages matériels et/ou corporels peuvent en résulter.



MISE EN GARDE! N'arrosez jamais votre scooter au jet d'eau et ne le placez jamais en contact direct avec de l'eau. Votre scooter a un carénage en plastique ABS peint qui lui permet d'être facilement nettoyé avec un chiffon humide.

MISE EN GARDE! N'utilisez jamais de produits chimiques pour nettoyer un siège en vinyle, car ils pourraient rendre le siège glissant ou se dessécher et se fissurer. Utilisez de l'eau savonneuse et séchez soigneusement le siège.

CONNEXIONS DES BORNES DE BATTERIES

- Assurez-vous que les branchements sont bien serrés et libres de corrosion.
- Les batteries doivent être bien à plat au fond des puits.
- Les bornes de la batterie doivent être orientées vers l'extérieur du scooter.

CABLAGES ELECTRIQUES

- Vérifiez et inspectez les connexions et le câblage régulièrement.
- Inspectez régulièrement la gaine protectrice de fils et câbles incluant le cordon du chargeur à batteries.
- Faites réparer tous les câbles ou les fils endommagés par votre détaillant autorisé avant d'utiliser votre scooter.



INTERDIT! Même si votre scooter a réussi un test de résistance à l'humidité, éloignez-le des sources d'humidité ou de liquide tel que l'eau de lavage et l'incontinence. Inspectez régulièrement les composants pour déceler la corrosion.



MISE EN GARDE! Ne tirez pas directement sur les câbles pour les détacher du scooter. Il faut toujours prendre le connecteur pour détacher le câble afin d'éviter les dommages.

VIII. SOINS ET ENTRETIEN

REPLACEMENT D'UNE ROUE

Si votre scooter est équipé de pneumatiques et que vous avez une crevaison, le tube peut-être remplacé. Contactez votre détaillant autorisé pour de plus amples informations au sujet des pneus de remplacement pour votre scooter.

MISE EN GARDE! Seulement votre un technicien spécialisé doit réparer les roues de votre scooter.



MISE EN GARDE! Assurez-vous de retirer la clé du contact et de vérifier que le scooter est bien embrayé avant de faire cette procédure.

MISE EN GARDE! Lors du remplacement d'une roue, dégonflez-le COMPLÈTEMENT d'abord sous peine de le faire exploser.

Procédez selon les étapes suivantes pour réparer les pneus à âme pleine et gonflables en toute sécurité:

1. Enlevez la clé du contact et assurez-vous le scooter n'est pas en mode roue libre.
2. Élevez le côté du scooter sur lequel vous désirez enlever le pneu. Placez des cales de bois sous la structure du scooter pour l'élever.
3. Si vous remplacez le tube, dégonflez le pneu **complètement** avant de le retirer du moyeu.
4. Retirez les écrous de roue du moyeu. **Voir la figure 29.**
5. Retirez la roue motrice de l'axe.
6. Retirez les écrous et rondelles afin de séparer les moitiés de jante. **Voir la figure 30.**
7. Enlevez l'ancien tube des pneus gonflables et remplacez-les par un nouveau tube.
8. Revissez les deux sections de jante ensemble sur le pneu.
9. Glissez la nouvelle roue en place.
10. Réinstallez les écrous sur l'essieu et serrez bien.



MISE EN GARDE! Assurez-vous que la clé de l'essieu soit correctement installée dans la fente de l'essieu lors du montage de la roue. Si elle n'est pas installée en toute sécurité, les freins sont relâchés qui peut provoquer cela pourrait causer des blessures et/ou dommages au produit.

11. Gonflez les pneus à la pression en psi/bar/kPa indiquée dans chaque pneu.
12. Retirez les cales sous le scooter.

CLE D'IDENTIFICATION

1. ECROU DE ROUE
2. ROUE
3. MOYEU

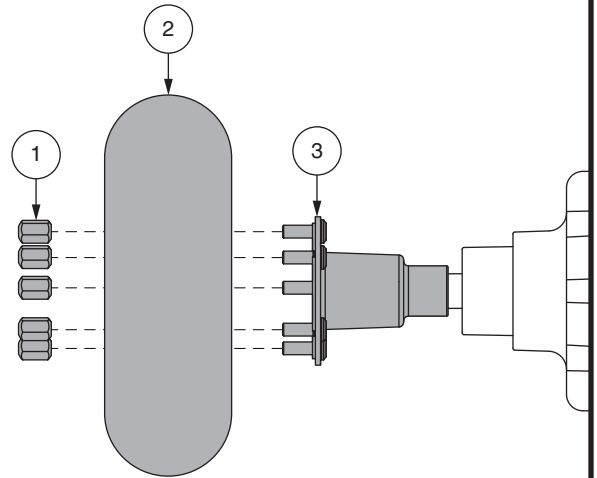
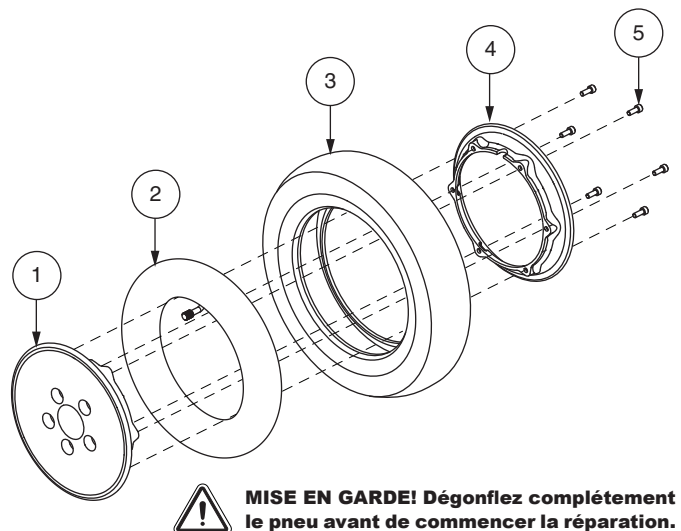


Figure 29. Enlèvement de la roue motrice

CLE D'IDENTIFICATION

1. PARTIE AVANT DE LA JANTE
2. TUBE
3. PNEU
4. PARTIE ARRIERE DE LA JANTE
5. VIS



MISE EN GARDE! Dégonflez complètement le pneu avant de commencer la réparation.

Figure 30. Roue pneumatique motrice démontée/montée

VIII. SOINS ET ENTRETIEN

ENTRETIEN QUOTIDIEN

- Coupez le contact avant de vérifier la pédale de l'accélérateur. Assurez-vous que le câble de l'accélérateur n'est pas tordu et qu'il revient bien à la verticale lorsque vous le relâchez. Ne tentez pas de les réparer, contactez plutôt votre détaillant autorisé.
- Inspectez visuellement le câble du module. Si vous découvrez des coupures ou des fils exposés, contactez votre détaillant autorisé.
- Vérifiez les déformations sur les pneus à âme pleine. Ils peuvent affecter la stabilité du fauteuil motorisé.
- Inspectez les fixations d'accoudoirs pour détecter du jeu excessif, des dommages ou des signes de stress. Voyez votre détaillant autorisé si vous trouvez un problème.
- Vérifiez les freins. Ce test doit être exécuté sur une surface à niveau et avec au moins un mètre de dégagement autour de votre fauteuil motorisé.

Pour vérifier les freins:

1. Mettez le contact et réglez le bouton de vitesse au plus lent.
2. Attendez une seconde et vérifiez l'état des batteries. La tension doit se maintenir.
3. Tirer doucement sur la pédale de l'accélérateur jusqu'à ce que vous entendiez les freins électriques se relâcher. Relâchez immédiatement la pédale. Vous devez entendre le déclic presque immédiatement à chaque fois que vous poussez la manette. Répétez ce test trois fois en tirant sur la pédale de l'accélérateur dans les directions opposées.

VERIFICATIONS HEBDOMADAIRES

- Débranchez le contrôleur du module d'alimentation pour l'inspecter. Vérifiez qu'il n'y a pas de traces de corrosion. Contactez votre détaillant autorisé au besoin.
- Vérifiez la pression des pneus, si équipé de pneus. Elle doit être à la pression en psi/bar/kPa indiquée dans chaque pneu. Si un pneu fuit, voyez votre détaillant autorisé pour obtenir un tube de rechange.

VERIFICATIONS MENSUELLES

- Vérifiez les roulettes antibascule, elles ne doivent pas toucher le sol lorsque vous avancez. Réglez les roulettes au besoin. Voir la section V. "Réglages confort."
- Vérifiez l'usure des roulettes. Remplacez-les au besoin.
- Vérifiez l'usure des pneus. Voyez votre détaillant autorisé pour les remplacer.
- Gardez votre scooter bien propre, enlevez la boue, les cheveux, la nourriture, etc.

VERIFICATIONS ANNUELLES

Apportez votre scooter chez votre détaillant autorisé au moins une fois par année pour une inspection, surtout si vous utilisez votre scooter régulièrement. Vous serez ainsi assuré qu'il fonctionne correctement et vous préviendrez des complications futures.

CAPOTS

Si votre Scooter dispose d'un carénage avec une **finition brillante** , le carénage a été pulvérisé avec un revêtement d'étanchéité transparent. Vous pouvez appliquer une légère couche de cire de voiture pour l'aider à conserver son aspect brillant. Si votre Scooter dispose d'un carénage avec une **finition mate** , utilisez **UNIQUEMENT** les produits développés pour la peinture mate. N'utilisez pas de cire, d'aérosol de nettoyage, ArmorAll® ou tout autre produit fabriqué pour des peintures brillantes.



MISE EN GARDE! Choisissez avec précaution le produit approprié pour protéger la finition du ou des carénages de votre Scooter. Seuls les produits développés pour la peinture mate doivent être utilisés sur des carénages avec une finition mate. Le non-respect de cette mise en garde peut endommager la finition de peinture mate du carénage.

VIII. SOINS ET ENTRETIEN

ROULEMENTS A BILLE ET MODULE MOTEUR/TRANSMISSION

Ces pièces sont scellées à l'usine et ne requièrent aucune lubrification.

BROSSES DU MOTEUR

Celles-ci sont à l'intérieur du module moteur/transmission. Faites-les inspecter par votre détaillant autorisé périodiquement.

CONSOLE, CHARGEUR ET MODULE DE COMMANDES ELECTRONIQUES

- Protégez-les de l'humidité.
- Si une de ces composantes venaient à être exposée à de l'humidité, laissez sécher votre scooter complètement avant de l'utiliser à nouveau.

COUSSINETS DE FREINS

Les coussinets de freins de votre scooter doivent être inspectés périodiquement. Lorsque l'usure abaisse l'épaisseur des coussinets à 2 mm ou 1/16ième de pouce d'épaisseur, ceux-ci doivent être remplacés, Les coussinets doivent être tous remplacés en même temps. Contactez votre détaillant autorisé pour de plus amples informations ou pour les faire remplacer.

REPLACEMENT D'UN FUSIBLE

Dans l'éventualité où un fusible venait à brûler:

1. Retirez le fusible de sa fente en tirant dessus.
2. Examinez-le pour vérifier s'il est brûlé. **Voir la figure 31.**
3. Insérez un nouveau fusible de résistance adéquate.



MISE EN GARDE! Le nouveau fusible doit être identique à celui que vous devez remplacer sous peine d'endommager le système électrique.

REPLACEMENT D'ECROU AUTOFREINE EN NYLON

Tout écrou autofreiné en nylon retiré pendant l'entretien périodique, la réparation, le montage ou démontage du scooter doit être remplacé par un neuf. Les écrous de nylon ne doivent pas être réutilisés car ceux-ci peuvent se desserrer et entraîner un danger. Des écrous de remplacement en nylon sont disponibles dans les quincailleries ou chez votre détaillant autorisé.

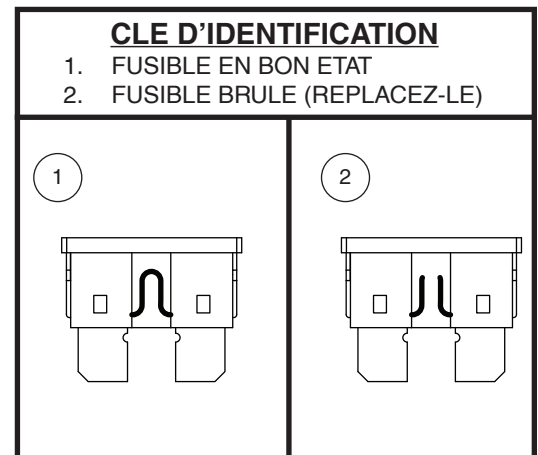


Figure 31. Le remplacement des fusibles

VIII. SOINS ET ENTRETIEN

ENTREPOSAGE DE VOTRE SCOOTER

Si vous pensez ne pas utiliser votre scooter pour une période prolongée:

- Rechargez les batteries complètement avant d'entreposer votre scooter.
- Débranchez les batteries du scooter.
- Entreposez votre scooter dans un endroit sec à l'abri du gel.
- Évitez d'entreposer votre scooter dans un endroit exposé à des températures extrêmes.
- Bien que votre scooter puisse supporter des températures de stockage à court terme entre -40°C (-40°F) et 65°C (149°F), il est recommandé que les températures de stockage à long terme se situent entre -25°C (-13°F) et 50°C (122°F). Les conditions de stockage idéales sont de 20°C (68°F) à 21°C (70°F) dans la mesure du possible, mais nous savons que ce n'est pas toujours possible en raison des différents climats et environnements.



MISE EN GARDE! Si les batteries de votre scooter venaient à geler, ne tentez pas de les recharger. Une batterie gelée doit être laissée dans un endroit tempéré plusieurs jours avant d'être rechargée.

Des batteries qui sont souvent déchargées trop profondément, rechargées de manière infrequente, entreposées sous des températures extrêmes ou insuffisamment chargées peuvent être endommagées de façon permanente. Ces batteries auront de piètres performances et durent moins longtemps. Il recommande de recharger les batteries de votre scooter de façon périodique pendant l'entreposage prolongé afin de protéger leurs performances futures.

Afin de protéger les pneus pendant l'entreposage, placez des cales de bois sous le scooter de manière à ce que les pneus ne soient pas en contact avec le sol. Ceci évitera la déformation de la semelle.

COMMENT DISPOSER DE VOTRE SCOOTER

Vous devez disposer de votre scooter en respectant les règlements en vigueur dans votre localité. Contactez votre centre de recyclage ou votre détaillant autorisé pour les informations pour la mise au rebut de l'emballage, des composantes métalliques, plastiques, électroniques, batteries, néoprène, silicone, et les matériaux de polyuréthane.



MISE EN GARDE! Les sacs en plastique présentent un risque de suffocation. Jeter les sacs en plastique correctement et ne pas permettre aux enfants de jouer avec eux.

NOTES



MONTAJE



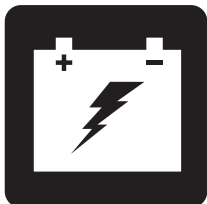
FUNCIONAMIENTO



CONFORT



MANTENIMIENTO



BATERÍAS Y SU CARGA



SERIE DE SCOOTERS GRANDE

MANUAL DE USUARIO

CUADRO DE CARACTERÍSTICAS GENERALES

Modelo	Consola del Manillar			Estilo Chasis (montaje/Desmontaje)		Ruedas Antivuelco	Opciones*			Disyuntor principal (Tipo)		
	A	B	C	Chasis de 1 pieza	Chasis de 2 piezas	Incluido	Botón Alta-Baja	Freno de Mano	Suspensión del asiento	Botón de Reinicio	Palanca de Reinicio	Reinicio Automático
123			•	•				•		•		
124			•	•				•		•		
133			•	•				•		•		
134			•	•				•		•		
143			•	•				•		•		
144			•	•				•		•		
3120			•	•				•		•		
3130			•	•				•		•		
3140			•	•				•		•		
613	•				•	•	•	•	•	•		
614	•	•		•		•	•				•	•
713	•				•	•	•	•	•	•		
7132	•			•		•	•	•		•		
714	•			•		•	•	•			•	•
713ES	•			•		•	•	•		•		

**NOTA: Las opciones del scooter pueden variar en función del país. Póngase en contacto con su proveedor para determinar las opciones disponibles para su scooter.*

NOTA: Intente memorizar el número de modelo de su scooter, que podrá encontrar en la hoja de especificaciones del producto incluida en el paquete. A lo largo de este manual de usuario, las características del scooter aparecen identificadas con un número de modelo (primera columna de la izquierda del Cuadro de Características Generales). Al conocer el número de modelo de su unidad podrá determinar las características particulares y exclusivas de su scooter.

Uso INDICADO

El uso previsto de este dispositivo Pride Mobility Products es proporcionar asistencia de movilidad a personas con problemas de movilidad que tienen la capacidad de operar un scooter de movilidad motorizado en un entorno interior/externo.

CON RESPECTO A LOS DISPOSITIVOS RECETADOS

Nuestros productos de movilidad y sus componentes están disponibles para la venta al por menor (“sin receta”) o con receta médica. Cuando se prescribe, se aplica la siguiente declaración.



¡ATENCIÓN! La ley federal limita a este dispositivo a su venta por parte de o por orden de un médico u otro profesional certificado y que cuente con licencia de la ley del estado (sólo en los EE.UU.) o de la región en donde ejerce este profesional para usar u ordenar el uso de este dispositivo.

NOTA: El presente manual de instrucciones recoge las últimas especificaciones e informaciones disponibles en el momento de su publicación. Nos reservamos el derecho a aportar modificaciones en caso necesario. Cualquier modificación en nuestros productos puede provocar ligeras variaciones entre las ilustraciones y explicaciones de esta guía y el producto que ha comprado. En nuestro sitio web encontrará la versión última/actual de este manual.

NOTA: Este producto cumple las directivas y normativas WEEE, RoHS y REACH.

NOTA: Este producto cumple con la clasificación IPX4 (IEC 60529).

NOTA: Ni scooter ni sus componentes están fabricados con látex de goma natural. Consulte al fabricante con respecto a cualquier accesorio o pieza de repuesto.

ÍNDICE

CONSIGNAS DE SEGURIDAD	103
I. SEGURIDAD	104
II. SU SCOOTER	107
III. BATERÍAS Y SU CARGA	125
IV. FUNCIONAMIENTO	134
V. OPTIMIZAR EL CONFORT	136
VI. DESMONTAJE/MONTAJE	140
VII. RESOLUCIÓN DE PROBLEMAS	142
VIII. CUIDADO Y MANTENIMIENTO	144

CONSIGNAS DE SEGURIDAD



¡ADVERTENCIA! Un proveedor autorizado o un técnico cualificado deberá realizar la configuración inicial del scooter, así como cualquier otro procedimiento de este manual.

Los símbolos que se muestran a continuación son utilizados en este manual y en el scooter para identificar advertencias y avisos importantes. Asegúrese de que los ha leído y comprendido perfectamente.



¡ADVERTENCIA! Indica una situación o circunstancia potencialmente peligrosa. De no seguir los procedimientos indicados, podría provocar en usted o en terceros lesiones físicas, y daños o averías en el material. En el producto, este icono tiene forma de símbolo negro en un triángulo amarillo con borde negro.



¡OBLIGATORIO! Pasos que deben realizarse tal y como se indica. De no realizar las acciones obligatorias, podría sufrir lesiones y/o daños en el material. En el producto, este icono tiene forma de símbolo blanco sobre un círculo azul con borde blanco.



¡PROHIBIDO! Estas acciones están prohibidas, cualquiera que sea el tiempo o las circunstancias. La realización de acciones prohibidas puede provocar lesiones personales y/o daños en el material. En el producto, este icono tiene forma de símbolo negro con un círculo y raya rojos.

I. SEGURIDAD

SÍMBOLOS DE SEGURIDAD

Estos símbolos aparecen en su scooter y sirven para identificar advertencias, acciones obligatorias o prohibidas. Asegúrese de que los ha leído y comprendido perfectamente.

NOTA: En la *Guía de Seguridad del Usuario* suministrada con su scooter encontrará la explicación de otras advertencias de uso. Familiarícese con todas las advertencias de uso y otra información de seguridad indicadas en la *Guía de Seguridad del Usuario* y remítase regularmente a esta fuente.



Lea con atención la información del manual de usuario



Fabricado en



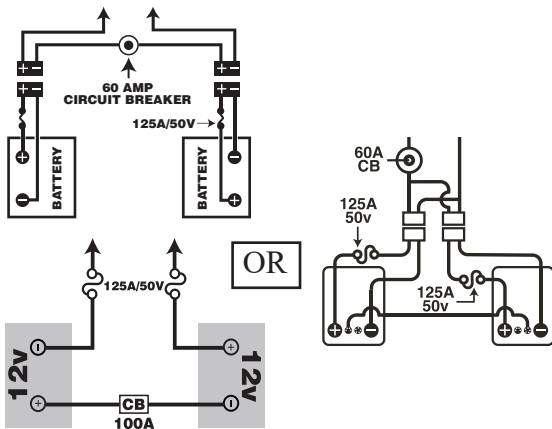
Indica los puntos de sujeción de Scooter que **DESOCUPADOS**.



Etiqueta de información del Scooter



No cumple la normativa ISO 7176-19 sobre vehículos de transporte ocupados dentro de un vehículo a motor. No permanezca sentado en su scooter mientras viaja en un vehículo a motor.



Configuración de las baterías:

+ = Borne o terminal positivo (rojo)

- = Borne o terminal negativo (negro)

Conexión del cable rojo al borne positivo rojo (+).

Conexión del cable negro al borne negativo negro (-).



Antes de empezar a manejarlo, cargue completamente las baterías.

Quite la llave del scooter si no lo está utilizando.

I. SEGURIDAD

GENERAL



¡OBLIGATORIO! Antes de utilizar su scooter por primera vez, lea y siga todas las instrucciones de este manual y de la Guía de Seguridad del Usuario.

Este scooter es un dispositivo que incorpora las últimas tecnologías tendentes a aumentar su movilidad. Nos ofrecemos una amplia gama de productos ajustados a sus necesidades particulares. Recuerde que la decisión final acerca de la compra de un determinado tipo de scooter es responsabilidad exclusiva del usuario de dicho scooter, capaz de tomar tal decisión, y de su profesional sanitario (por ej. médico, terapeuta, etc.).

El contenido de este manual está supeditado a los ajustes realizados por un experto en tales dispositivos para adaptarlo al usuario, habiendo asistido al profesional sanitario prescriptor o al proveedor autorizado en lo que respecta a la asistencia para la utilización de este producto.

Existen determinadas situaciones, como algunas enfermedades, para las que será obligatoria la presencia de una persona debidamente cualificada durante el manejo del scooter. Esta persona encargada podrá ser un miembro de la familia o un asistente sanitario especialmente preparado para ayudarle en las tareas diarias que realice mientras utiliza el scooter.

Al empezar a utilizar el scooter, probablemente se encuentre con situaciones para las que necesite una mayor práctica. Tómese el tiempo necesario. Pronto sentirá una mayor confianza y control en el manejo a través de puertas, al girar en curvas o al entrar o salir de ascensores, rampas o en superficies irregulares.

El producto viene con otra información de carácter general, hojas de datos técnicos y otros folletos comerciales. Lea detenidamente y revise toda la información y guárdela en un lugar seguro para consultas futuras.

Seguidamente, se muestran algunas precauciones, trucos y otras consignas de seguridad que le ayudarán a familiarizarse con el funcionamiento de su scooter.

INSPECCIÓN DE SEGURIDAD PREVIA

Familiarícese con su scooter y sus funciones. Recomendamos que realice una inspección previa de seguridad para confirmar que su scooter funciona de manera correcta y segura.

Antes de utilizar el scooter, inspeccione lo siguiente:

- Verifique el estado de las ruedas. Asegúrese de que no estén dañadas ni demasiado gastadas.
- Compruebe todas las conexiones eléctricas. Asegúrese de que estén tensas y sin corrosión.
- Compruebe todas las conexiones del regulador al panel eléctrico. Asegúrese de que estén bien tensadas.
- Compruebe los frenos y asegúrese de que funcionen correctamente.
- Compruebe el indicador de nivel de batería para asegurarse de que las baterías estén totalmente cargadas.
- Compruebe que la palanca manual está en el modo conducción antes de sentarse en el scooter.
- Antes de conducir su scooter, especialmente después de guardarla, apriete completamente la palanca del freno de mano de cinco a siete (5-7) veces para confirmar que el freno de mano funciona correctamente.

Si encuentra algún problema, póngase en contacto con su proveedor autorizado. Consulte la hoja de información de contacto suministrada con el producto.

I. SEGURIDAD

INFORMACIÓN ACERCA DE LOS FRENOS

Su scooter está equipado con estos potentes sistemas de frenado:

- Regenerativo: utiliza la electricidad para ralentizar rápidamente el vehículo cuando la palanca de mando vuelve a su posición central.
- Frenos de disco de estacionamiento: se activan mecánicamente una vez que los frenos regenerativos han reducido la velocidad del vehículo, o cuando falta la alimentación del sistema, independientemente del motivo.
- (Opcional) Freno de mano: Esta palanca le proporciona potencia de frenado adicional. Consulte II. “Su Scooter.”

PALANCA DE FRENO DE MANO (SI ESTÁ EQUIPADO)

La palanca de freno de mano contiene fluido hidráulico. Cuando la palanca está activada, el fluido es empujado a través de la línea de freno para acoplar las pastillas de freno con los discos de freno. La palanca del freno de mano es una unidad completamente sellada, lo que significa que el fluido hidráulico no presenta fugas, sin embargo, se deben tomar ciertas medidas de seguridad en caso que la palanca del freno de mano se agriete o se rompa.

- No toque el material derramado a menos que use el equipo de protección, tal como las gafas de seguridad y guantes.
- Para pequeños derrames, cubra el material con tierra seca, arena u otro material absorbente no combustible. Una vez absorbido, coloque el material en una bolsa de plástico y póngase en contacto con su agencia local de eliminación de residuos para que le informen las medidas adecuadas a tal fin. No exponga el material a cursos de agua o alcantarillas.
- Si sus ojos están expuestos, busque y retire las lentes de contacto. Lave sus ojos con agua fría, limpia, y a baja presión mientras se levantan y bajan los párpados. Busque atención médica si persiste el lagrimeo, el enrojecimiento o el dolor.
- Si la piel está expuesta, quítese la ropa contaminada. Limpie el exceso de material y lave la piel expuesta con agua y jabón. Busque atención médica si la piel parece haber sufrido daños o si la irritación persiste. Lavar minuciosamente la ropa contaminada antes de volverla a usar. Deseche los artículos de cuero contaminados.
- Si es ingerido ingiere, no induzca el vómito ni dé nada de beber a menos que lo indique un médico. Administre nada por vía oral a una persona que no esté completamente consciente. Busque atención médica de inmediato.
- Si es inhalado, traslade a la persona afectada a un lugar con aire fresco. Si la persona afectada no respira, comience inmediatamente la respiración boca a boca. Si la respiración es difícil, una persona calificada deberá administrar oxígeno 100% humidificado por. Busque atención médica de inmediato y mantenga a la persona afectada abrigada y en reposo.
- Si se inflama, utilizar polvo químico, espuma, dióxido de carbono o niebla de agua para su extinción.

¡ADVERTENCIA! No modifique la palanca del freno de mano ni intente reemplazar el líquido hidráulico. Si se daña, siga las instrucciones de seguridad en este apartado y contáctese con su proveedor autorizado para realizar la sustitución del freno de mano. El freno de mano hidráulico sólo debe ser reparado o reemplazado por un proveedor autorizado.



¡ADVERTENCIA! El freno de mano contiene fluido hidráulico que puede causar irritación dermatológica, ocular y nasal / bronquial leve. No intente ajustar o reparar el freno de mano sin el equipo de protección adecuado, tal como lo son las gafas de seguridad, y los guantes. Lávese las manos después de manipularlo.

II. SU SCOOTER

CONSOLA DEL MANILLAR

En la consola del manillar están ubicados todos los controles necesarios para manejar el scooter: regulador de velocidad, cerradura de contacto, indicador de batería, estado y claxon, intermitentes de dirección es palanca aceleradora. Tenga en cuenta que algunas de las características que figuran en esta sección son artículos opcionales y pueden no estar presentes en su scooter (fig. 1).

NOTA: Si su scooter está equipado con un panel de control de LCD, por favor pase a la página de esta sección que comienza con el título **CONSOLA DEL TIMÓN: PANEL DE CONTROL LCD**.

NOTA: Si su scooter está equipado con un freno de mano opcional, avance a la página de esta sección que comienza **CONSOLA DEL TIMÓN: PALANCA DEL FRENO DE MANO**.



¡PROHIBIDO! No deje que la consola se humedezca. Si la consola estuviera humedecida, espere hasta que se seque completamente antes de manejar el Scooter.

CLAVES DE IDENTIFICACIÓN

- | | |
|----------------------------|---------------------------------------|
| 1. CLAXON | 8. REGULADOR DE VELOCIDAD |
| 2. *INTERMITENTE IZQUIERDO | 9. INDICADOR DE BATERÍA |
| 3. *LUCES DE PELIGRO | 10. CERRADURA DE CONTACTO |
| 4. LUCES DE CONDUCCIÓN | 11. RETROVISOR Y TAPÓN DEL RETROVISOR |
| 5. *INTERMITENTE DERECHO | 12. *PALANCA DE AJUSTE DEL MANILLAR |
| 6. *INTERRUPTOR MÁX-MÍN | 13. *PALANCA DE FRENO DE MANO |
| 7. PALANCA ACELERADORA | 14. *BLOQUEO DE FRENOS |

*COMPONENTES OPCIONALES

LA UBICACIÓN DEL INTERRUPTOR INTERRUPTOR MÁX-MÍN PUEDE VARIAR DEPENDIENDO DEL MODELO

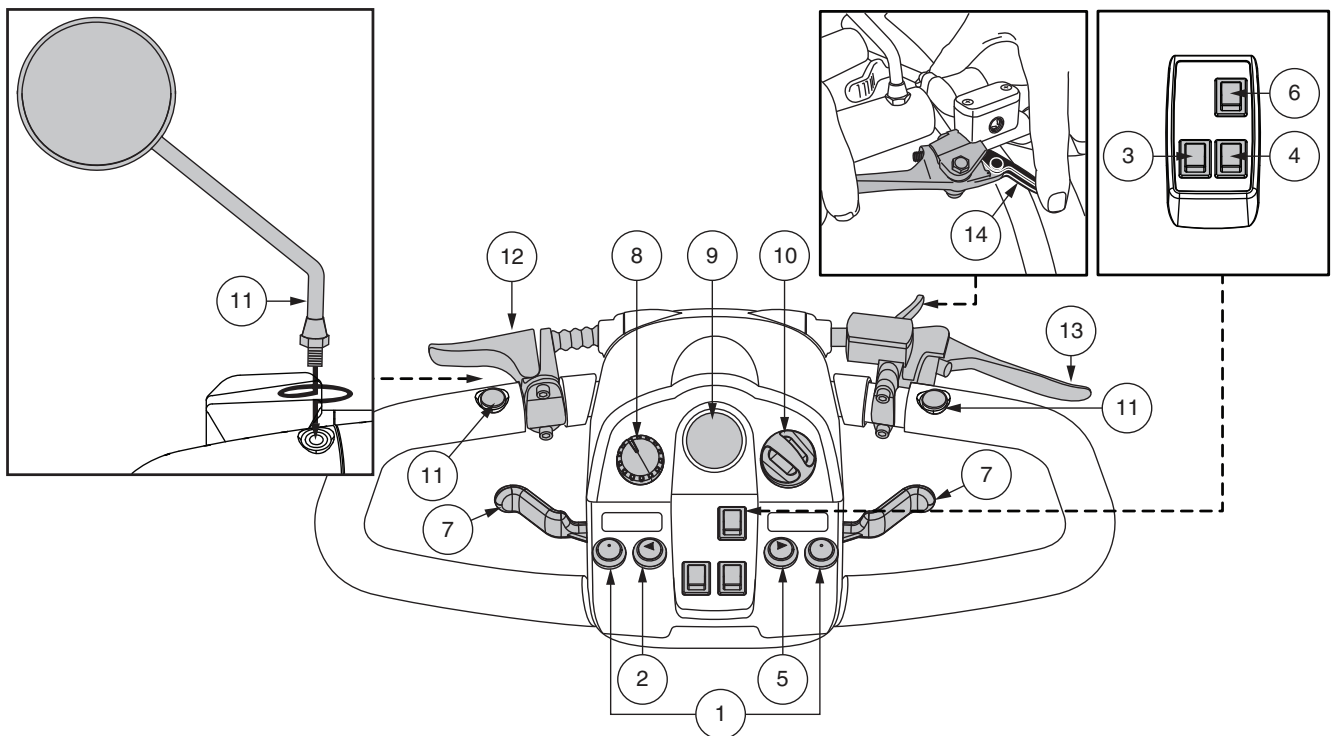


Figura 1. Consola del manillar - Estilo A

II. SU SCOOTER

Claxon

Activa el claxon de advertencia. El claxon sólo funcionará con el scooter encendido. No dude en utilizar el claxon como señal de advertencia ante cualquier riesgo de accidente o lesión.

Intermitentes de dirección

Use estos botones para encender los intermitentes derecho e izquierdo (luces ámbar).

- Pulse el botón izquierdo para activar el intermitente izquierdo. Se encenderá el piloto LED del intermitente situado en el indicador de batería.
- Pulse el botón derecho para activar el intermitente derecho. Se encenderá el piloto LED del intermitente situado en el indicador de batería.
- Los intermitentes están programados para apagarse automáticamente.

Interruptor de iluminación

Este interruptor controla el sistema de luces del scooter.

- Deslice el interruptor hacia delante para encender las luces.
- Deslice el interruptor hacia atrás para apagar las luces.



¡ADVERTENCIA! Encienda las luces de su scooter cuando la visibilidad sea insuficiente (sea de día o de noche).

Luces de Peligro

Este interruptor activa los intermitentes traseros del scooter.

- Deslice el interruptor hacia delante para encender las luces.
- Deslice el interruptor hacia atrás para apagar las luces.

Interruptor máx-mín

Sirve para ajustar la velocidad máxima (HI) y mínima (LOW) del scooter. Mueva el interruptor hacia adelante (Alta) para lograr la máxima velocidad preprogramada para el scooter. Mueva el interruptor hacia atrás (Baja) para alcanzar la mitad de la velocidad máxima preprogramada del scooter.

Palanca aceleradora

Con esta palanca podrá controlar la velocidad marcha adelante y atrás del scooter, dentro de los límites fijados por usted con el regulador de velocidad.

NOTA: Las instrucciones de operación de la palanca de control del acelerador que se describen a continuación se aplican a los scooters en una configuración estándar. Si la programación de su scooter fue modificada de alguna manera por un proveedor, comuníquese con ese proveedor para obtener las instrucciones correctas de operación del nivel de control del acelerador.

Para moverse hacia delante tiene dos opciones:

- Presione con el pulgar izquierdo la palanca aceleradora izquierda.
- Tire con los dedos de la mano derecha de la palanca aceleradora derecha.

Para moverse marcha atrás tiene dos opciones:

- Presione con el pulgar derecho la palanca aceleradora derecha.
- Tire con los dedos de la mano izquierda de la palanca aceleradora izquierda.

Suelte la palanca aceleradora hasta que el scooter se detenga completamente antes de activar el otro lado de la palanca. Al soltar la palanca aceleradora, ésta vuelve automáticamente a la posición central de “stop”, activando los frenos del scooter.

Regulador de velocidad

Esta ruedecilla permite preseleccionar y limitar la velocidad máxima del scooter.

- La imagen de la **tortuga** representa el valor de velocidad mínimo.
- La imagen de la **liebre** representa el valor de velocidad máximo.

II. SU SCOOTER

Indicador del nivel de batería

Cuando la llave está introducida totalmente en la cerradura de contacto y girada en sentido de las agujas del reloj para encender el scooter, este indicador muestra el nivel aproximado de las baterías. Para obtener más información sobre el indicador de batería, consulte III, “Baterías y su carga”.

Piloto de estado

El piloto de estado le informará sobre los problemas eléctricos que pudieran aparecer en su scooter. El piloto permanecerá siempre iluminado con el scooter encendido. Si ocurriese alguna incidencia eléctrica, este piloto emitiría un código de destellos (Capítulo VII, “Resolución de problemas básicos”).

Cerradura de contacto

- Introduzca la llave en la cerradura de contacto y gírela en sentido horario para encender el scooter.
- Gírela en sentido contrario a las agujas del reloj para apagar el scooter.



¡ADVERTENCIA! Al enfrentar una situación de emergencia, apague el interruptor para apagar el scooter. Tenga cuidado. Debe saber que apagar el scooter puede provocar que el scooter se detenga abruptamente. Para liberar la emergencia, pare y restablezca la función de conducción del scooter, libere la palanca de control del acelerador y luego encienda el interruptor del scooter.

¡ADVERTENCIA! Si mueve la llave a la posición “off” con el scooter en movimiento, activará los frenos electrónicos y el scooter se detendrá bruscamente.

Posicionamiento y ajuste del espejo

Para obtener información sobre la posición y el ajuste de su espejo, consulte V. “Optimización de la Confort”.

Ajuste del ángulo del manillar

Para obtener información sobre la posición y el ajuste de su ángulo del manillar, consulte V. “Optimización de la Confort”.

Palanca del freno de mano

Esta palanca le proporciona la potencia para una detención de emergencia. Cuando está en movimiento, suelte la palanca de control del acelerador y apriete suavemente la palanca del freno de mano para detenerse. La efectividad del freno de mano puede modificarse apretando o aflojando el tornillo de fijación ubicado en la palanca del freno de mano.



¡ADVERTENCIA! El freno de mano está diseñado para usarse solo como un sistema de frenado suplementario.

Toma de alimentación del cargador

El cable de alimentación del cargador externo se enchufa en esta toma para cargar las baterías. El puerto del cargador externo estará ubicado en el timón (fig. 2).

Fusible de la consola

Estos fusibles sirven para proteger las luces frontales del scooter, los intermitentes y el sistema de contacto de la consola de sobrecargas de tensión. Los fusibles de su scooter son del mismo tipo que los utilizados en automóviles (fig. 2), consulte VIII. “Cuidado y Mantenimiento” por cambio de fusibles.

NOTA: Mantenga todas las superficies eléctricas limpias, sin humedad ni cuerpos extraños.

CLAVES DE IDENTIFICACIÓN

1. TOMA DE ALIMENTACIÓN DEL CARGADOR
2. CARGADOR EXTERNO
3. CARGADOR DE CONTACTO
4. FARO INFERIOR
5. LUCES POSTERIORES
6. INTERMITENTE IZQUIERDO
7. INTERMITENTE DERECHO

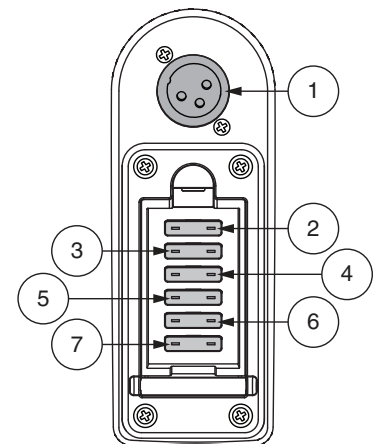


Figura 2. Toma de alimentación del cargador/Fusibles de la consola

II. SU SCOOTER

Consola del timón: Palanca de freno de mano

Su scooter está equipado con una palanca de freno de mano que se encuentra en el mango del timón. Consulte la figura 1 y la figura 7. Esta palanca le proporciona potencia de frenado adicional. El freno de mano es manual y funciona independientemente del sistema de frenado regenerativo de su scooter, que se activa durante el funcionamiento del scooter al soltar la palanca de control del acelerador.

Para operar la palanca del freno de mano:

1. Suelte completamente la palanca de control del acelerador.
2. Apriete suavemente la palanca del freno de mano para que su scooter se detenga por completo.

NOTA: Debesoltarlapalanca de control del acelerador antes de apretar la palanca del freno de mano. De lo contrario, es posible que su scooter no se detenga por completo.

NOTA: La palanca del freno de mano puede requerir un ajuste periódico para mantener un funcionamiento adecuado. El ajuste solo debe ser realizado por su proveedor autorizado u otro técnico calificado. Comuníquese con su proveedor autorizado para obtener más información.

NOTE: La efectividad del freno de mano, que es la rapidez con la que se detiene la scooter al apretar la palanca del freno de mano, se puede modificar apretando o aflojando el tornillo de fijación ubicado en la palanca del freno de mano. Ver figura 3.

NOTE: Si su freno de mano está equipado con una función de bloqueo como se muestra en la figura 1 o la figura 7, puede activar la función de bloqueo del freno apretando la palanca del freno de mano y girando o empujando la palanca de bloqueo para activar el bloqueo. Para liberar el bloqueo del freno de mano, apriete completamente la palanca del freno de mano. Consulte la figura 1 o la figura 7.

NOTE: Si su freno de mano contiene fluido hidráulico, no intente modificar o reemplazar la palanca del freno de mano o el fluido hidráulico.

NOTE: Antes de conducir su scooter, especialmente después de guardarla, apriete la palanca del freno de mano por completo de cinco a siete (5-7) veces para confirmar que el freno de mano funciona correctamente.

¡ADVERTENCIA! El fluido hidráulico puede causar irritación leve de la piel, los ojos y la nariz/bronquios. Si se produce algún daño, comuníquese con su proveedor autorizado para reemplazar el freno de mano. El freno de mano hidráulico solo debe ser reparado o reemplazado por su proveedor autorizado.



¡ADVERTENCIA! El freno de mano está diseñado para usarse como un sistema de frenado complementario al sistema de frenado regenerativo controlado por el acelerador, o para ayudar a detener el scooter en caso de que el sistema de frenado regenerativo no se active. El freno de mano no está diseñado para usarse como sistema de frenado primario. El uso indebido o inadecuado del freno de mano puede provocar un choque, una caída, lesiones personales o materiales o la muerte.



Figura 3. Palanca de freno de mano

II. SU SCOOTER

CONSOLA DEL TIMÓN: PANEL DE CONTROL LCD

La consola del timón y el timón inferior alojan todos los controles necesarios para conducir su scooter, incluidos el panel de control de LCD control panel, palancas de control del acelerador, el interruptor de la llave y el interruptor de la palanca de control del acelerador (fig. 4).



¡PROHIBIDO! No deje que la consola se humedezca. Si la consola estuviera humedecida, espere hasta que se seque completamente antes de manejar el Scooter.

NOTA: No todas las opciones están disponibles en todos los estilos de consolas con pantallas LCD.

Claxon

Activa el claxon de advertencia. El claxon sólo funcionará con el scooter encendido. No dude en utilizar el claxon como señal de advertencia ante cualquier riesgo de accidente o lesión.

Intermitentes de dirección

- Presione el botón de señal de giro correspondiente una vez para activarlo. La señal de giro destella en la pantalla LCD.
- Presione el mismo botón de señal para apagarlo.

NOTA: Las señales de giro están sincronizadas para apagarse luego de 15 segundos. Un pitido de advertencia sonará mientras la señal de giro esté encendida. Ver la figura 5 para el control del volumen.

Interruptor de iluminación

- Presione el botón de las luces una vez para activar el sistema de iluminación. El símbolo de la luz aparecerá en la pantalla LCD.
- Presione nuevamente el botón de las luces para apagar el sistema de iluminación.



¡ADVERTENCIA! Encienda las luces de su scooter cuando la visibilidad sea insuficiente (sea de día o de noche).

Configuraciones de la pantalla y el panel de control LCD

El panel de control LCD ofrece información de retroalimentación a través de la intuitiva pantalla LCD (fig. 4). La pantalla LCD también se usa durante la instalación (activación) de las distintas configuraciones del panel de control.

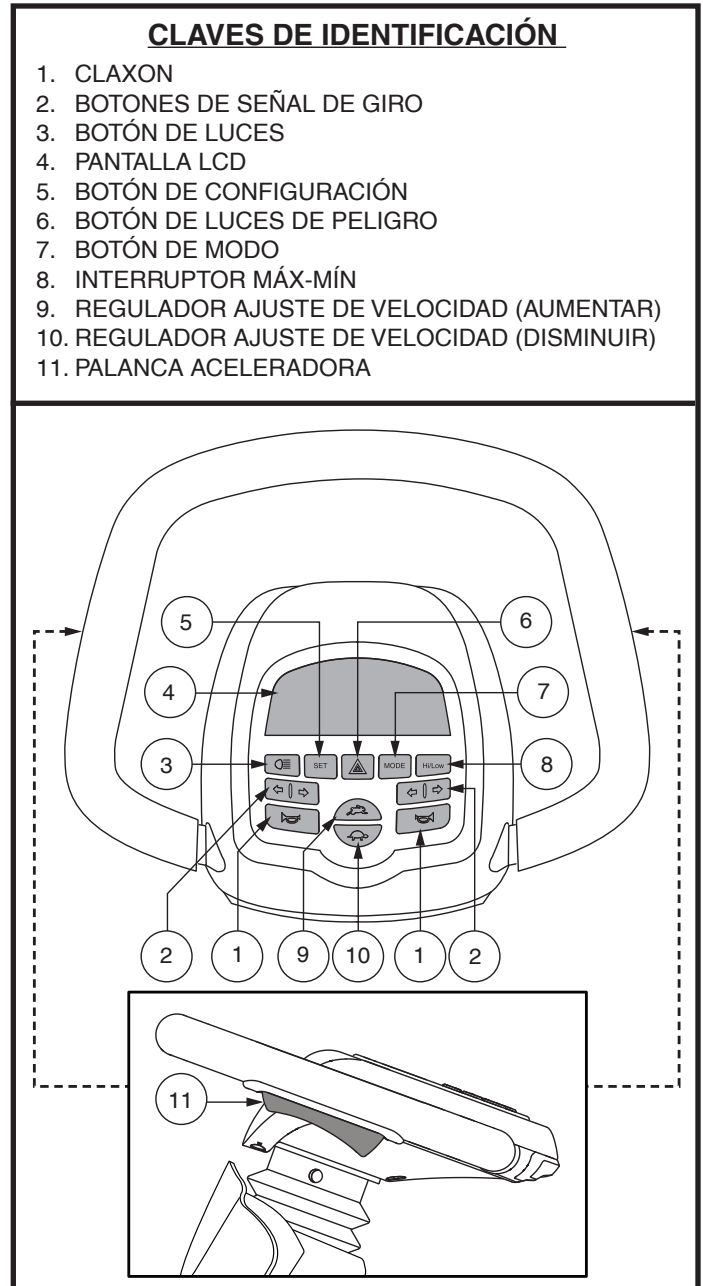


Figura 4. El panel de control LCD - Estilo B

II. SU SCOOTER

Botón de luces de emergencia

Este botón activa las luces intermitentes cuádruples de color amarillo en su scooter.

- Presione el botón una vez para encender las luces intermitentes de emergencia.
- Presione el botón nuevamente para apagar las luces intermitentes de emergencia.

NOTA: Las luces intermitentes cuádruples destellarán y sonará un pitido de advertencia mientras las luces de emergencia permanezcan encendidas. Ver la figura 6 para el control del volumen.

Botón de modo

Use the mode button to scroll between the odometer, tripometer, temperature, and clock (Style B) and odometer, tripometer, clock and brightness display (Style C).

Interruptor máx-mín

Este botón alterna la velocidad del scooter entre ALTA y BAJA.

- Presione el botón Alta-baja una vez para configurar el ajuste de velocidad a alta. El indicador Alta-baja aparecerá en la pantalla LCD (**fig. 5**). El uso de esta configuración junto con los botones de ajuste de la velocidad permitirá que el scooter llegue hasta la velocidad máxima preprogramada para el scooter.
- Presione nuevamente el botón Alta-baja para configurar el ajuste de velocidad a baja. El indicador de Alta-baja no aparecerá en la pantalla LCD. El uso de esta configuración junto con los botones de ajuste de la velocidad permitirá que el scooter llegue hasta una velocidad equivalente a la mitad de la velocidad máxima preprogramada para el scooter.

Botones de ajuste de velocidad

Estos botones de ajuste le permiten preseleccionar y limitar la velocidad de su scooter. Esto se señala a través del indicador de velocidad máxima en la pantalla LCD (**fig. 5**).

- Presione la imagen de la **tortuga** para disminuir la velocidad del scooter.
- Presione la imagen del **liebre** para aumentar la velocidad del scooter.

NOTA: Cuantas más barras aparezcan en el indicador de velocidad máxima, más rápida será su velocidad máxima preseleccionada. Ver la figura 4.

Palanca aceleradora

Estas palancas le permiten controlar la velocidad de avance y la velocidad en reversa de su scooter hasta la velocidad máxima que usted predetermine con los botones de ajuste de velocidad. Una palanca de control del acelerador se encuentra ubicada en la parte inferior de los costados izquierdo y derecho del mango del timón (**fig. 4**).

Para moverse hacia delante:

- Apriete la parte trasera de la palanca de control del acelerador.

Para moverse marcha atrás:

- Apriete la parte delantera de la palanca de control del acelerador.

Suelte la palanca aceleradora hasta que el scooter se detenga completamente antes de activar el otro lado de la palanca. Al soltar la palanca aceleradora, ésta vuelve automáticamente a la posición central de “stop”, activando los frenos del scooter.

II. SU SCOOTER

CONFIGURACIONES DE LA PANTALLA Y EL PANEL DE CONTROL LCD

El panel de control LCD ofrece información de retroalimentación a través de la intuitiva pantalla LCD (fig. 5) La pantalla LCD también se usa durante la instalación (activación) de las distintas configuraciones del panel de control. Ver el cuadro 1.

CLAVES DE IDENTIFICACIÓN

- | | |
|--------------------------------------|--------------------------------------|
| 1. INDICADOR DE CONDICIÓN DE BATERÍA | 8. AM/PM |
| 2. INDICADOR DE LUCES | 9. RELOJ |
| 3. VELOCIDAD/CÓDIGO DE ERROR/VOLUMEN | 10. TEMPERATURA |
| 4. INDICADOR DE ALTA/BAJA | 11. DISTANCIA/TEMP/MENSAJE DE ERROR |
| 5. UNIT INDICATOR | 12. TRIPÓMETRO |
| 6. INDICADOR DE VELOCIDAD MÁXIMA | 13. ODÓMETRO |
| 7. INDICADOR DE GIRO A LA DERECHA | 14. INDICADOR DE GIRO A LA IZQUIERDA |

*PARA INFORMACIÓN SOBRE EL INDICADOR DE CÓDIGO DE FALLA, CONSULTE LA FIGURA 27

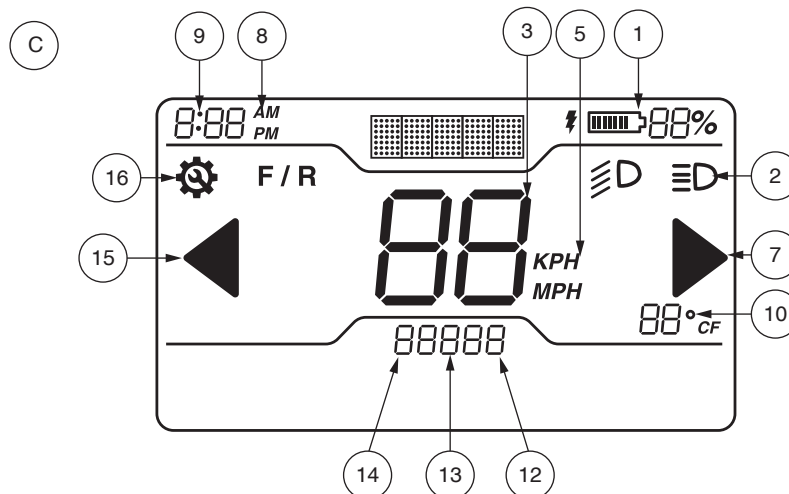
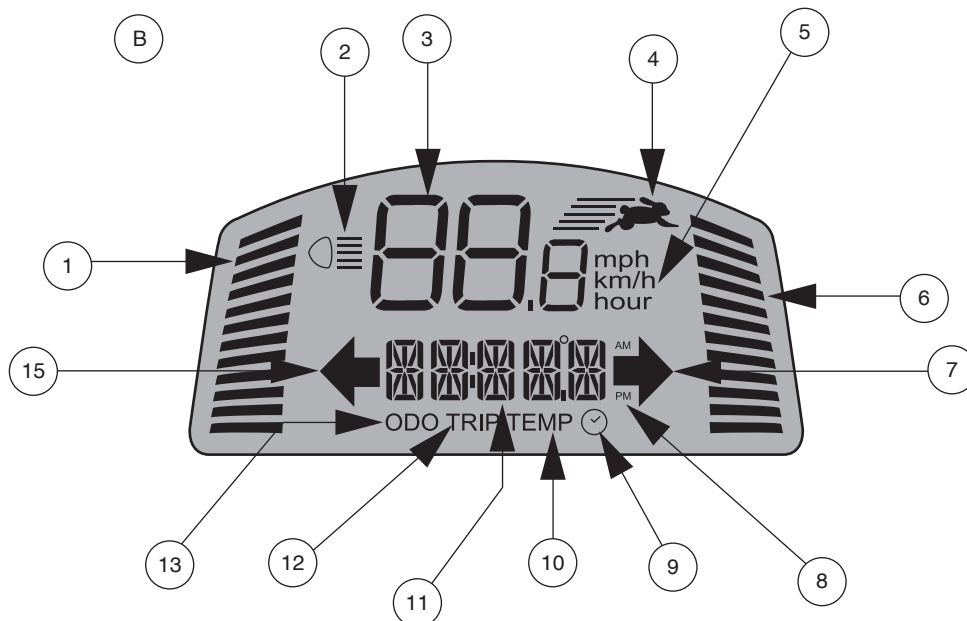




Figura 5. Pantalla LCD: consola estilo B (superior) y consola estilo C (inferior)

II. SU SCOOTER

CUADRO DE INFORMACIÓN DE CONFIGURACIÓN		
PARÁMETRO	CÓDIGO	INFORMACIÓN
Odómetro	ODO	Mide las mph, km/h y las horas de uso. También muestra toda la distancia viajada durante la vida del scooter. (No se puede reiniciar.)
Tipómetro	TRIP	Muestra la distancia recorrida. Puede ser reiniciada a "0".
Temperatura	TEMP	Muestra la temperatura actual en °F o °C.
Reloj		Muestra la hora en 12 horas (AM/PM) o 24 horas.
Brillo (solo estilo C)	000	Allows user to alternate between levels of brightness for LCD Screen.


Cuadro 1. Información del panel de control LCD

Presione **MODE (MODO)** hasta que la configuración que desea cambiar aparezca en la pantalla LCD. Presione y mantenga apretado el botón **SET (ESTABLECER)** y luego siga los pasos correspondientes a su configuración en el **cuadro 2**.

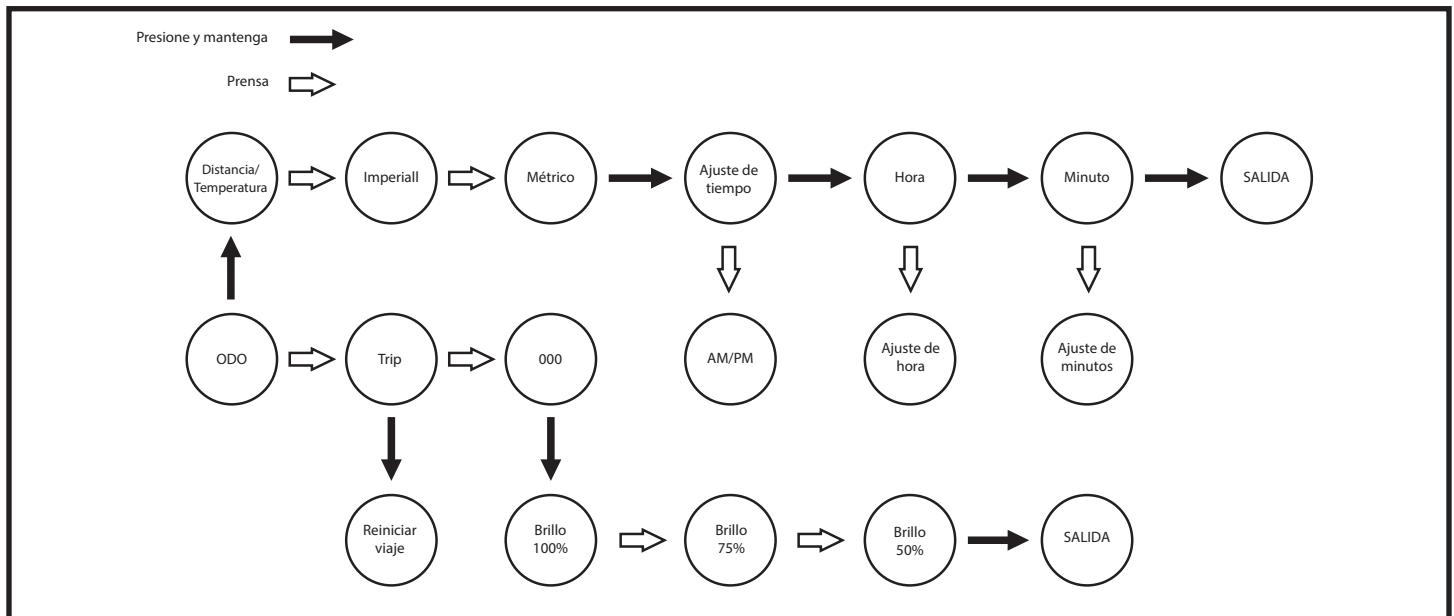
PARÁMETRO	ODO	TRIP	TEMP	
OPERACIÓN	Presione el botón MODE hasta que aparezca la opción ODO .	Presione el botón MODE hasta que aparezca la opción TRIP .	Presione el botón MODE hasta que aparezca la opción TEMP .	Presione y mantenga pulsado MODE hasta que el símbolo del reloj aparezca en la pantalla.
SELECCIÓN	Presione y mantenga pulsado SET , luego presione simultáneamente el botón MODE hasta que la opción de configuración parpadee. Desplácese por las opciones presionando el botón SET .	Presione y mantenga pulsado SET , luego presione simultáneamente el botón MODE durante 2 segundos y suéltelo. Presione y mantenga pulsado SET hasta que Tripometer se reinicie en 0.0.	Presione y mantenga pulsado SET , luego presione simultáneamente el botón MODE hasta que la opción de configuración parpadee. Desplácese por las opciones (°F o °C) presionando los botones SET .	Presione y mantenga pulsado SET , luego presione simultáneamente el botón MODE hasta que el dígito de la hora parpadee. Use el botón SET para aumentar la hora hasta el número correcto. Continúe usando los botones MODE y SET para programar los minutos y la configuración de AM/PM.
SALIR	Cuando la opción deseada parpadee, presione cualquier botón excepto SET para salir.	Presione cualquier botón excepto SET para salir.	Cuando su opción esté parpadeando, presione cualquier botón excepto SET para salir.	Presione cualquier botón excepto MODE o SET para salir.

Cuadro 2. Información del panel de control LCD

II. SU SCOOTER

PARÁMETRO	VIAJE	BRILLO	UNIDAD DE MEDIDA	
OPERACIÓN	Pulse el botón MODE hasta que aparezca la opción TRIP .	Pulse el botón MODE hasta que aparezca la opción 000 .	Mantenga presionado el botón MODE hasta que aparezca la opción ODO .	Pulse el botón MODE hasta que aparezca el símbolo ODO en la pantalla.
SELECCIÓN	Press and hold MODE until Tripometer resets to 0.0.	Mantenga presionado el botón MODE hasta que 000 parpadee. Presione MODE para alternar entre las configuraciones de brillo de la pantalla LCD (100%, 75%, 50%) hasta alcanzar el brillo deseado.	Mantenga presionado hasta que Parpadee Distancia/ Temperatura. Desplácese por las opciones (°F o °C/Millas o Kilómetros) presionando el botón MODE .	Mantenga presionado el botón MODE una vez (1) para la unidad de medida. Mantenga presionado MODE dos veces (2) para cambiar entre AM/PM presionando el botón MODE . Presione y mantenga presionado el botón MODE una tercera (3) vez para configurar la hora presionando el botón MODE antes de presionar y mantener presionado el botón MODE una cuarta (4) vez para ajustar y configurar los minutos presionando el botón MODE .
SALIDA	N/A	Mantenga presionado el botón MODE para salir.	Mantenga presionado el botón MODE para pasar a Configuración de hora.	Mantenga presionado el botón MODE para salir.

Cuadro 3. Información del panel de control LCD - Estilo C



Cuadro 4. Información del panel de control LCD - Estilo C - Diagrama de flujo

Modo de carga de batería

Mientras se carga la batería, la consola mostrará el reloj y el indicador de la condición de la batería.

Indicador de la condición de la batería

Cuando la tecla se coloca en la posición “on” (encendido), este indicador le da una lectura aproximada de la carga de la batería. Cuando la tensión de la batería del scooter alcanza un nivel lo suficientemente bajo, sonará un pitido de advertencia una vez, indicando que las baterías necesitan ser cargadas. El pitido de advertencia no volverá a sonar hasta que el scooter vuelva a ser encendido o la palanca de control del acelerador sea presionada.

Botón de modo

Use el botón de modo para desplazarse entre el odómetro, el tripómetro, la temperatura y el reloj (Estilo B) y el odómetro, el tripómetro, el reloj y la pantalla de brillo (Estilo C). Consulte la **figura 7**. A través de una serie de presiones y retenciones, puede cambiar la configuración de su consola. Consulte el **cuadro 3** para obtener más información.

II. SU SCOOTER

Indicador de velocidad máxima

El indicador de velocidad máxima muestra la velocidad máxima seleccionada con los botones de ajuste de velocidad. Cuantas más barras se encuentren iluminadas, mayor será la velocidad. La velocidad máxima del scooter estará determinada por la configuración de ALTA-BAJA, que limita la velocidad máxima a la mitad cuando se coloca en BAJA. La velocidad de viaje real se mostrará en el indicador de velocidad de la pantalla LCD.

Control del volumen

Las señales de giro, las luces de emergencia, el voltaje bajo y los mensajes de error se pueden configurar para que parpadeen y piten. La bocina funciona con relé y su volumen no se puede ajustar (fig. 6).

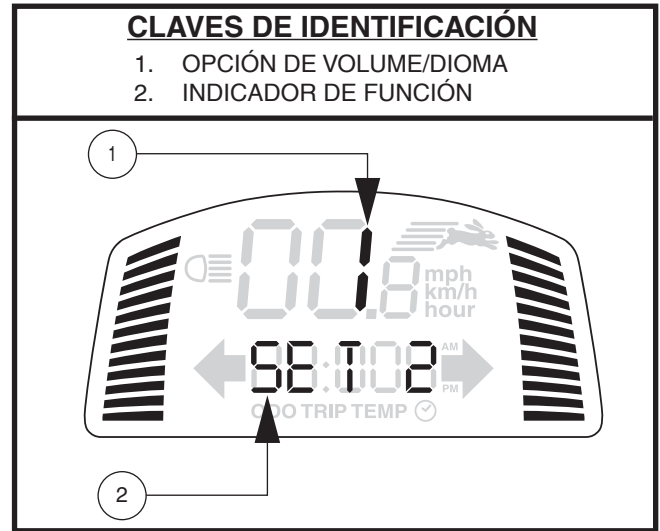


Figura 6. Pantalla del control del volumen

Para configurar el volumen:

1. Asegúrese de que la tecla se encuentre en la posición “off” (apagado).
2. Presione los dos botones correspondientes simultáneamente (**ver el cuadro 5**), y coloque la tecla en la posición “on”.
3. Una vez que aparece la pantalla de control del volumen, suelte los botones.
4. Presione el botón liebre para aumentar el volumen a un valor de 4 y el botón tortuga para disminuir el volumen del pitido a 0 (0 indica apagado y 4 indica el volumen más alto).
5. Para salir, presione cualquier botón excepto el del **conejo** o el de la **tortuga**.

NOTA: La opción de idioma del mensaje de error se configura de la misma manera que el volumen.

FUNCIÓN	BOTONES	INDICADOR DE FUNCIÓN
Luces de peligro	SET + LUCES DE PELLGRO	SET 1
Baja Tensión	SET + INDICADOR DE GIRO A LA IZQUIERDA	SET 3
Intermitentes de dirección	SET + INDICADOR DE GIRO A LA DERECHA	SET 4
Opción de idioma del mensaje de error	SET + LUCES	SET 5 6 - Español 5 - Italiano 4 - Francés 3 - Alemán 2 - Holandés 1 - Inglés 0 - Cerrar

Cuadro 5. Información sobre el control del volumen

II. SU SCOOTER

CLAVES DE IDENTIFICACIÓN

- | | |
|-----------------------------|--|
| 1. PALANCA DE FRENO DE MANO | 9. CLAXON |
| 2. CLAXON | 10. INTERMITENTE IZQUIERDO |
| 3. INTERMITENTE DERECHO | 11. PALANCA ACELERADORA |
| 4. LUCES DE CONDUCCIÓN | 12. PALANCA ACELERADORA |
| 5. PANTALLA LCD | 13. INTERMITENTE DERECHO |
| 6. PALANCA ACELERADORA | 14. BOTÓN DE SELECCIÓN DE MODO DE PANTALLA |
| 7. LUCES DE PELIGRO | 15. *PALETA DE CONTROL DEL ACELERADOR |
| 8. INTERMITENTE IZQUIERDO | |

*COMPONENTES OPCIONALES

**PARA INFORMACIÓN SOBRE LA PANTALLA LCD, VEA LA FIGURA 5.

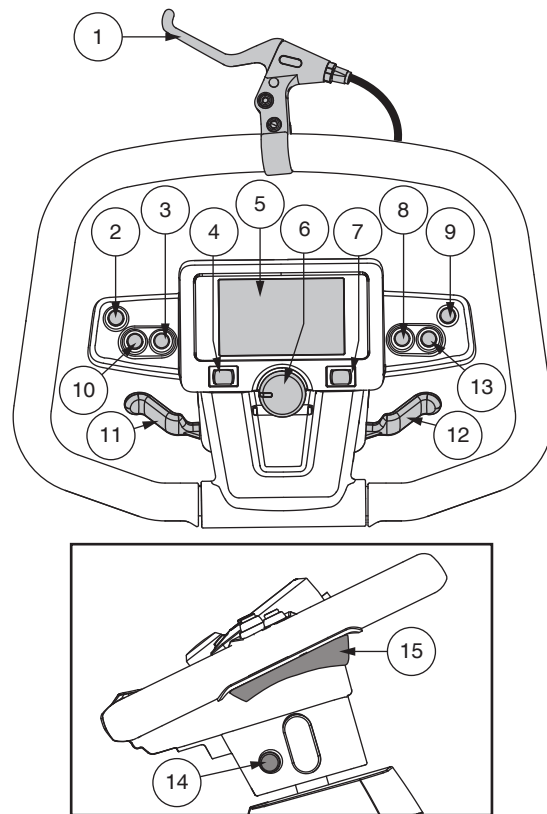


Figure 7. Tiller Console Components - Style C

Claxon

Activa el claxon de advertencia. El claxon sólo funcionará con el scooter encendido. No dude en utilizar el claxon como señal de advertencia ante cualquier riesgo de accidente o lesión.

Intermitentes de dirección

Use estos botones para encender los intermitentes derecho e izquierdo (luces ámbar).

- Pulse el botón izquierdo para activar el intermitente izquierdo. El indicador de señal de giro ubicado en la pantalla LCD parpadeará.
- Pulse el botón derecho para activar el intermitente derecho. El indicador de señal de giro ubicado en la pantalla LCD parpadeará.
- Los intermitentes están programados para apagarse automáticamente.

II. SU SCOOTER

Botón de encendido (opcional, para uso con lector de tarjetas NFC)

El botón de encendido le permite encender y apagar su scooter.

- Presione el botón de encendido para encender su scooter y usar el lector de tarjetas NFC. Una vez que esté completamente enganchado y trabado, el botón de encendido emitirá una luz azul. El botón de encendido se usa junto con el lector de tarjetas NFC para mayor seguridad de su scooter. Consulte “Lector de tarjetas NFC” para obtener más información.
- Presione el botón de encendido nuevamente para apagar (apagar) su scooter.



¡ADVERTENCIA! Cuando se enfrente a una situación de emergencia, apague la llave para apagar el scooter. Con precaución. Tenga en cuenta que apagar el scooter puede hacer que se detenga abruptamente. Para liberar la parada de emergencia y restaurar la capacidad de conducción del scooter, suelte la palanca de control del acelerador y luego encienda la llave del scooter.

¡ADVERTENCIA! Si presiona el botón de encendido mientras su scooter está en movimiento, los frenos electrónicos se activarán y su scooter se detendrá abruptamente.

Lector de tarjetas NFC (opcional)

El lector de tarjetas Near Field Communication (NFC) proporciona seguridad adicional para su scooter, ya que no hay dos llaves iguales. El lector de tarjetas NFC le permite encender su scooter con la seguridad adicional de Near Field Communication (NFC).

Para usar el lector de tarjetas NFC:

1. Presione el botón de encendido en el scooter hasta que esté completamente acoplado y trabado.
2. Sostenga la tarjeta NFC sobre el lector de tarjetas.
3. Un sonido audible de 4 notas indicará el emparejamiento exitoso de la tarjeta NFC y su scooter.
4. Ahora puede colocar la llave en un lugar seguro mientras opera su scooter.
5. Ahora se puede conducir el scooter.

NOTA: Una vez que el botón de encendido esté completamente activado y bloqueado, tendrá diez (10) segundos para emparejar la tarjeta NFC con su scooter. Si no puede emparejar su scooter, presione el botón de encendido para apagar su scooter, espere diez (10) segundos y luego presione el botón de encendido para volver a encender su scooter y volver a intentarlo.

6. Para apagar (apagar) su scooter, presione el botón de encendido nuevamente.

Interruptor de iluminación

Este interruptor controla el sistema de luces del scooter.

- Mueva el interruptor a la derecha para encender el sistema de iluminación.
- Mueva el interruptor hacia la izquierda para apagar el sistema de iluminación.

Luces de Peligro

Este interruptor activa los intermitentes traseros del scooter.

- Mueva el interruptor de las luces de peligro a la derecha para encender las luces intermitentes.
- Mueva el interruptor de las luces de emergencia hacia la izquierda para apagar las luces intermitentes.



¡ADVERTENCIA! Encienda las luces de su scooter cuando la visibilidad sea insuficiente (sea de día o de noche).

Palanca aceleradora

Con esta palanca podrá controlar la velocidad marcha adelante y atrás del scooter, dentro de los límites fijados por usted con el regulador de velocidad.

Regulador de velocidad

Esta ruedecilla permite preseleccionar y limitar la velocidad máxima del scooter.

- La imagen de la **tortuga** representa el valor de velocidad mínimo.
- La imagen de la **liebre** representa el valor de velocidad máximo.

II. SU SCOOTER

Palanca aceleradora

Con esta palanca podrá controlar la velocidad marcha adelante y atrás del scooter, dentro de los límites fijados por usted con el regulador de velocidad.

NOTA: Las instrucciones de operación de la palanca de control del acelerador que se describen a continuación se aplican a los scooters en una configuración estándar. Si la programación de su scooter fue modificada de alguna manera por un proveedor, comuníquese con ese proveedor para obtener las instrucciones correctas de operación del nivel de control del acelerador.

Para moverse hacia delante tiene dos opciones:

- Presione con el pulgar izquierdo la palanca aceleradora izquierda.
- Tire con los dedos de la mano derecha de la palanca aceleradora derecha.

Para moverse marcha atrás tiene dos opciones:

- Presione con el pulgar derecho la palanca aceleradora derecha.
- Tire con los dedos de la mano izquierda de la palanca aceleradora izquierda.

Suelte la palanca aceleradora hasta que el scooter se detenga completamente antes de activar el otro lado de la palanca. Al soltar la palanca aceleradora, ésta vuelve automáticamente a la posición central de “stop”, activando los frenos del scooter.

Si no está equipado con conmutadores, use las siguientes instrucciones para las paletas de control del acelerador:

Estas paletas le permiten controlar la velocidad de avance y la velocidad en reversa de su scooter hasta la velocidad máxima que usted predetermine con los botones de ajuste de velocidad. Una paleta de control del acelerador se encuentra ubicada en la parte inferior de los costados izquierdo y derecho del mango del timón (**fig. 7**).

Para moverse hacia delante:

- Apriete la parte trasera de la paleta de control del acelerador.

Para moverse marcha atrás:

- Apriete la parte delantera de la paleta de control del acelerador.

Suelte la paleta aceleradora hasta que el scooter se detenga completamente antes de activar el otro lado de la paleta. Al soltar la paleta aceleradora, ésta vuelve automáticamente a la posición central de “stop”, activando los frenos del scooter.

Palanca del freno de mano

Esta palanca le proporciona la potencia para una detención de emergencia. Cuando está en movimiento, suelte la palanca de control del acelerador y apriete suavemente la palanca del freno de mano para detenerse. La efectividad del freno de mano puede modificarse apretando o aflojando el tornillo de fijación ubicado en la palanca del freno de mano.



¡ADVERTENCIA! El freno de mano está diseñado para usarse solo como un sistema de frenado suplementario.

II. SU SCOOTER

TIMÓN INFERIOR (disponible en los modelos 123, 124, 133, 134, 143, 144, 614, 714, 3120, 3130 Y 3140 únicamente)

Toma de alimentación del cargador

El cable de alimentación del cargador externo se enchufa en esta toma para cargar las baterías. El puerto del cargador externo estará ubicado en el timón (fig. 8).

Fusible de la consola

Para más información y una descripción completa del sistema de fusibles (fig. 2).

Palanca de ajuste del timón o Perilla de ajuste de timón
Consulte V. “Optimización de la Comodidad”.

Cerradura de Contacto

- Introduzca la llave en la cerradura de contacto y gírela en sentido horario para encender el scooter (fig. 8).
- Gírela en sentido contrario a las agujas del reloj para apagar el scooter.

¡ADVERTENCIA! Al enfrentar una situación de emergencia, apague el interruptor para apagar el scooter. Tenga cuidado. Debe saber que apagar el scooter puede provocar que el scooter se detenga abruptamente. Para liberar la emergencia, pare y restablezca la función de conducción del scooter, libere la palanca de control del acelerador y luego encienda el interruptor del scooter.



¡ADVERTENCIA! Si mueve la llave a la posición “off” con el scooter en movimiento, activará los frenos electrónicos y el scooter se detendrá bruscamente.

Interruptor de la palanca de control del acelerador

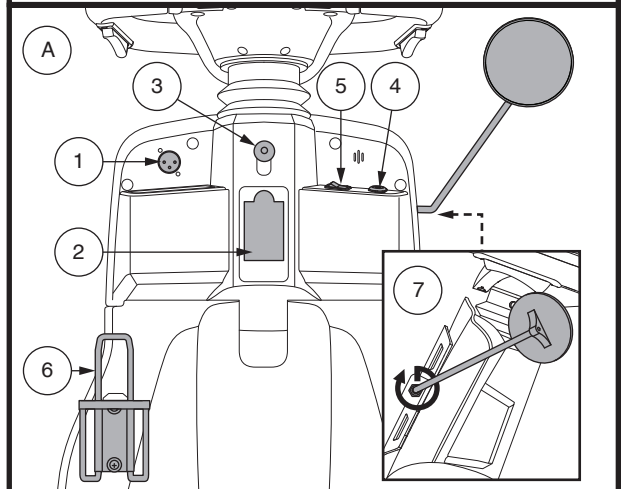
Este interruptor determina cuál de las palancas de control del acelerador (la izquierda o la derecha) funcionará (fig. 8).

- Mueva el interruptor hacia arriba para activar la palanca de control del acelerador izquierdo.
- Mueva el interruptor hacia abajo para activar la palanca de control del acelerador derecho.

CLAVES DE IDENTIFICACIÓN

1. TOMA DE ALIMENTACIÓN DEL CARGADOR
2. PANEL DE FUSIBLES
3. POMO REGULADOR
4. INTERRUPTOR DE LLAVE
5. *INTERRUPTOR DE LA PALANCA DE CONTROL DEL ACELERADOR
6. SOPORTE DE BOTELLA DE AGUA
7. RETROVISOR
8. CARGADOR USB

*COMPONENTES OPCIONALES



*MODELOS 614 O 714

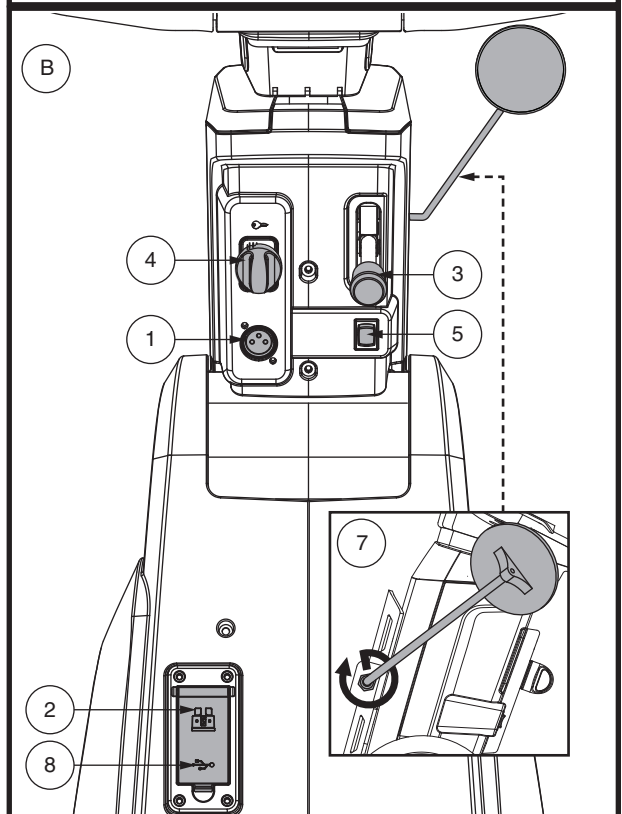


Figura 8. Timón inferior componentes

II. SU SCOOTER

Para los modelos 614 y 714

- Cambie el interruptor a la izquierda para activar la palanca de control del acelerador izquierda.
- Cambie el interruptor a la derecha para activar la palanca de control del acelerador derecha.

NOTA: *Sólo funcionará una palanca de control del acelerador a la vez.*

Soporte para botella de agua

El soporte para botella de agua está diseñado para contener una botella de agua de plástico y de tamaño estándar. El soporte puede ser anexo a cualquiera de los lados del scooter usando las piezas suministradas.

SECCIÓN POSTERIOR

La palanca del modo manual, las ruedas antivuelco (si está equipado), el conjunto motor/transeje y opcional Soportes para Bandera de Seguridad están situados en de su scooter tal y como aparece en la **figura 9**. Aunque no se muestran, las baterías y el interruptor principal (botón de reinicio) también se encuentran en la sección posterior de componentes de su scooter.



ADVERTENCIA! Antes de activar o desactivar el modo manual de su scooter, quite la llave de la cerradura de contacto. No se siente nunca en un scooter que esté en modo manual. No utilice nunca el modo manual en pendientes.

Palanca del modo manual

Utilice el modo manual cuando necesite o quiera empujar su scooter a lo largo de distancias cortas.

1. Saque la llave de la cerradura de contacto.
2. Presione la palanca hacia delante para deshabilitar el sistema de conducción y frenado. Ya puede empujar su scooter.
3. Tire hacia atrás de la palanca del modo manual para volver a habilitar el sistema de conducción y frenado; desactivará así el modo manual del scooter.



¡ADVERTENCIA! Cuando el scooter está en modo manual, el sistema de frenado permanece inactivo.

- Desactive los motores sólo en superficies llanas.
- Asegúrese de sacar la llave de la cerradura de contacto.
- Sitúese detrás o a un lado del scooter para activar y desactivar el modo manual. Nunca lo haga sentado en el scooter.
- Cuando haya terminado de empujar el scooter, vuelva siempre al modo conducción para bloquear los frenos.

NOTA: *Si el scooter está en modo manual (la palanca está hacia delante) y la llave en posición "on", el vehículo no funcionará hasta que se empuje la palanca de modo manual hacia atrás y la llave se gire hasta la posición "off", y luego de vuelta a la posición "on".*

CLAVES DE IDENTIFICACIÓN

1. PALANCA DEL MODO MANUAL
2. CONJUNTO DE MOTOR Y TRANSEJE
3. RUEDAS ANTIVUELCO (en modelos equipados)
4. SOPORTES PARA BANDERA DE SEGURIDAD

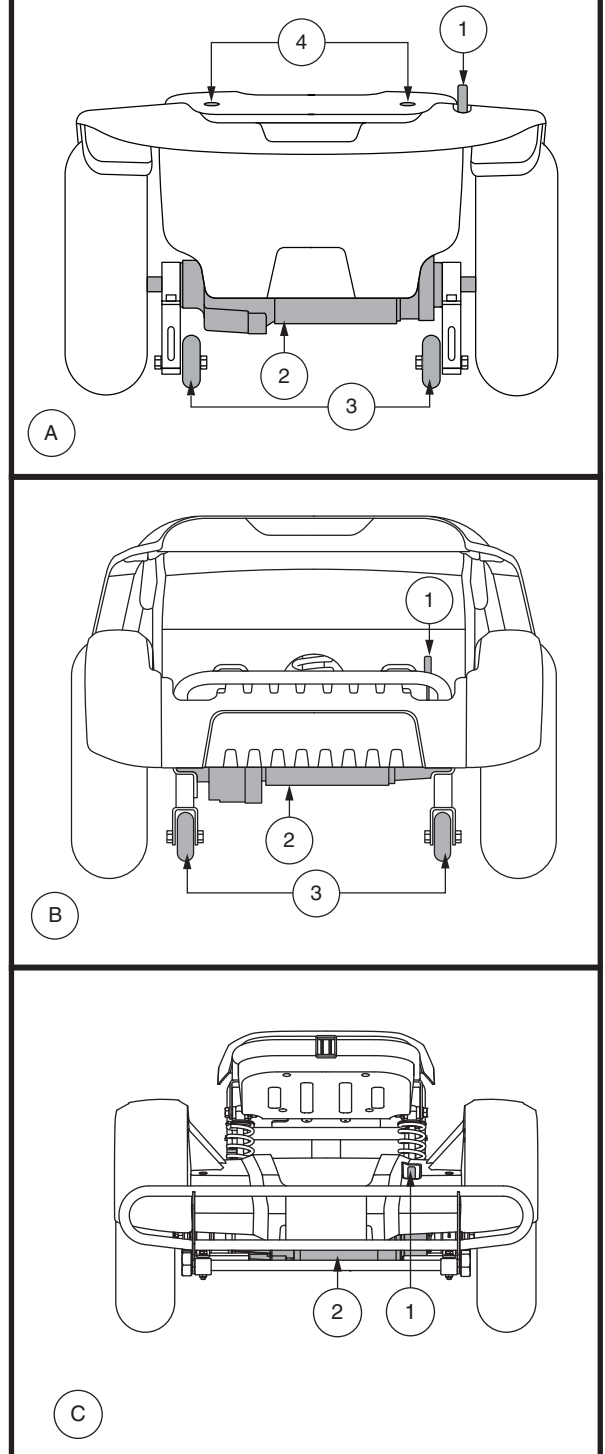


Figura 9. Sección Posterior

II. SU SCOOTER

Conjunto de motor y transeje

El conjunto de motor y transeje constituye una unidad electromecánica que convierte la energía eléctrica de las baterías del scooter en energía mecánica controlada que impulsa las ruedas del scooter.

Ruedas antivuelco (en modelos equipados)

Las ruedas antivuelco son parte integrante de la seguridad de su scooter. Están atornilladas a la estructura en la parte posterior del scooter.



¡PROHIBIDO! Salvo autorización de su proveedor, no retire las ruedas antivuelco ni modifique de ninguna forma su scooter.



¡ADVERTENCIA! Las ruedas antivuelco podrían entorpecer la fluidez normal del scooter al subir o bajar una acera. Para obtener más información, consulte con su proveedor autorizado.

Baterías

Las baterías guardan la energía eléctrica que impulsa el scooter. Véase el capítulo III, “Baterías y su carga” para saber cómo cargar las baterías de su scooter.

Soporte para bandera de seguridad (Opcional — Modelos 613/713/ 7132/ 713ES)

En la parte trasera del scooter están montados soportes accesorios para instalar una bandera de seguridad adicional (fig. 9).

Para instalar la bandera de seguridad:

1. Quite el tapón de la parte superior del soporte.
2. Inserte el asta de la bandera en la abertura.

Botón disyuntor/reinicio

Para evitar daños en el motor y el sistema electrónico, el disyuntor principal puede saltar cuando el voltaje de las baterías del scooter se vuelve insuficiente o el scooter está demasiado forzado debido a cargas o pendientes excesivas. Así, al activarse el disyuntor, todo el sistema eléctrico del scooter se apaga (fig. 10).

■ Tres tipos:

1. La palanca de reinicio se abate cuando el interruptor se dispara.
2. El botón de reinicio emerge cuando el interruptor se dispara.
3. La de tipo de reinicio automático se reiniciará sola luego de aproximadamente un minuto.

■ Deje “descansar” los componentes electrónicos de su scooter durante un minuto o dos.

■ Levante la palanca de reinicio hasta escuchar un clic, o apriete el botón de reinicio para restablecer el disyuntor principal.

■ Si el disyuntor principal se activa con frecuencia, puede que tenga que cargar las baterías más a menudo.

■ Si el disyuntor principal interrumpe la corriente regularmente, consulte a su proveedor autorizado.

CLAVES DE IDENTIFICACIÓN

1. ESTILO DE LA PALANCA
 - a. palanca de reinicio
 - b. botón de apagado manual
2. ESTILO DEL BOTÓN DE REINICIO
3. ESTILO DEL REINICIO AUTOMÁTICO (MODELOS 614 O 714)

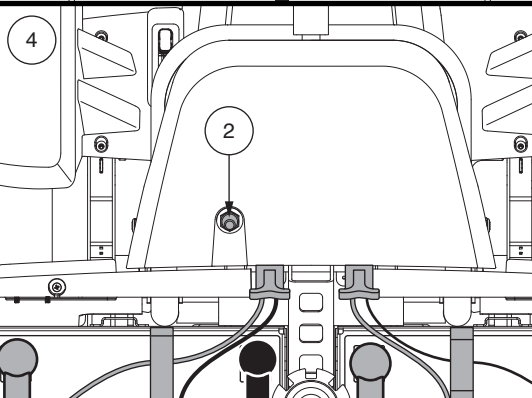
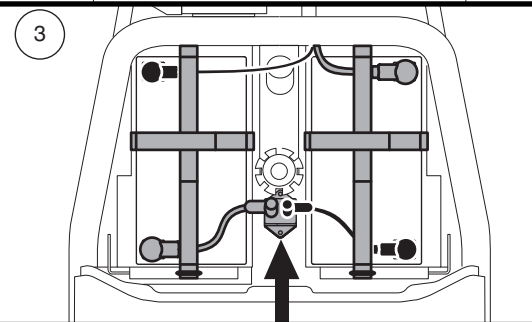
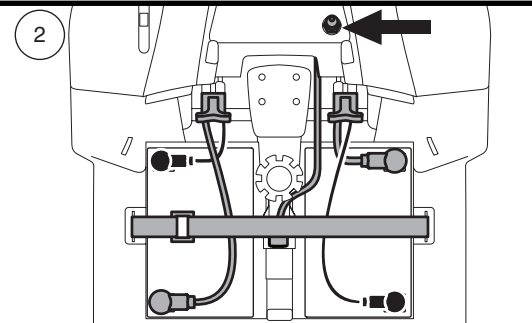
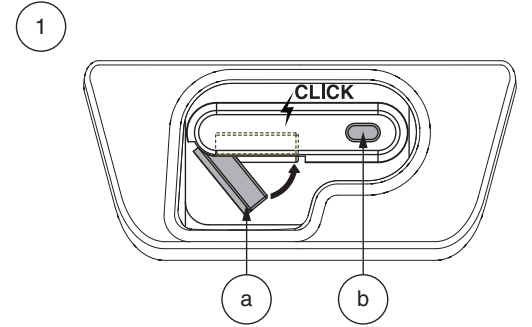


Figura 10. Botón Disyuntor/Reinicio

II. SU SCOOTER

AVISO: Si está preparando el scooter para un transporte o servicio, o si se presenta una situación que exige que usted apague manualmente el sistema eléctrico, presione el botón de apagado manual en el interruptor. Esto cortará toda la alimentación de energía eléctrica al scooter.

PUNTOS DE SUJECIÓN

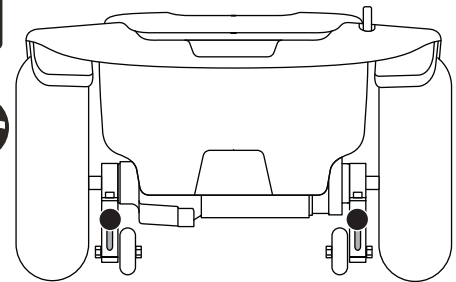
Sujete siempre el scooter dentro del vehículo mirando hacia delante. Enganche las cuatro correas de sujeción a los puntos de sujeción designados a tal efecto (fig. 11 y 12). Apriete las correas para evitar cualquier movimiento en el scooter. No sujete nunca las correas a piezas extraíbles o regulables del scooter como reposabrazos, reposapiés o ruedas. Deberá retirar estos elementos extraíbles. Coloque los puntos de anclaje de las correas posteriores justo por detrás de los puntos de sujeción posteriores del scooter. Las correas frontales deben amarrarse a los puntos de anclaje del suelo, que tienen una anchura ligeramente superior a la del scooter para incrementar así la estabilidad lateral de éste.



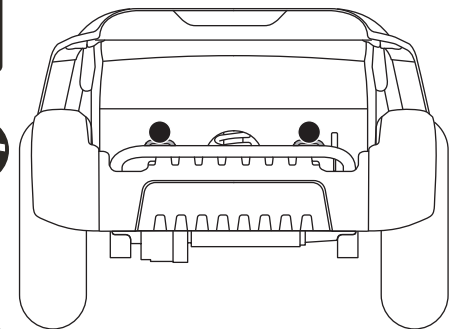
¡ADVERTENCIA! Antes de transportar el scooter dentro de un vehículo a motor, asegúrese de que el primero está sujeto correctamente. Los scooters incorrectamente sujetos pueden ser un peligro para el usuario y para los restantes pasajeros del vehículo en caso de accidente de tráfico o detención o giro repentinos, ya que el scooter podría volcar o moverse. No sujete un scooter de ninguna de sus partes desmontables tales como reposabrazos, asiento, cesta, soportes accesorios, etc.

CLAVES DE IDENTIFICACIÓN

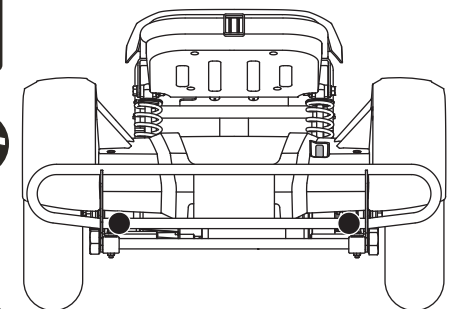
1. MODELOS 613, 713, 7132, AND 713ES
2. MODELOS 614 AND 714
3. MODELOS SC123, SC124, SC133, SC134, SC143, SC144, S3120, S3130, S3140



1



2



3

Figura 11. Puntos de sujeción posteriores (identificados con puntos negros)

II. SU SCOOTER

CLAVES DE IDENTIFICACIÓN

1. MODELOS CON 3-RUEDAS
2. MODELOS CON 4-RUEDAS

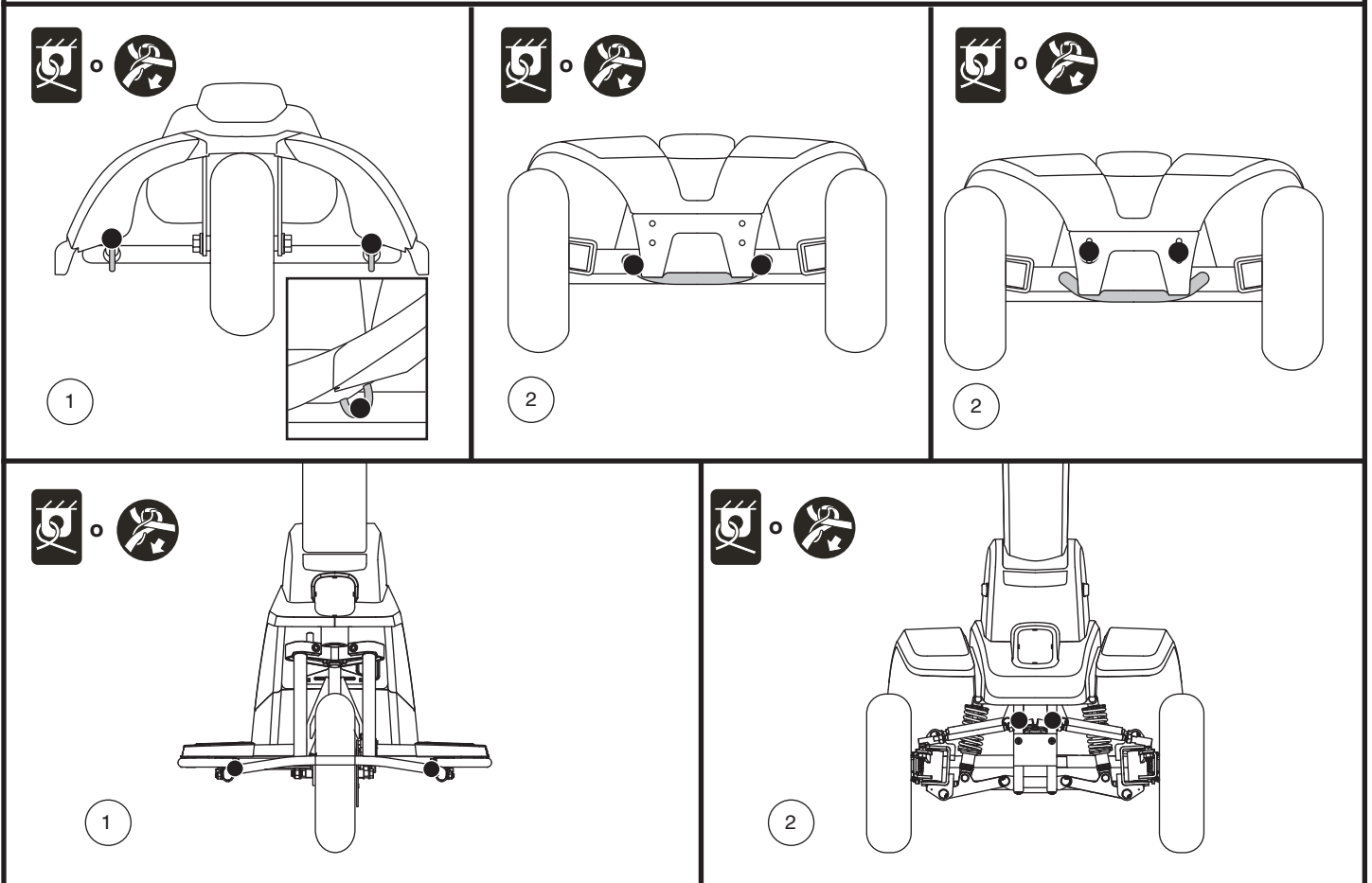


Figura 12. Puntos de sujeción frontales (identificados con puntos negros)

III. BATERÍAS Y SU CARGA

BATERÍAS Y SU CARGA

El Scooter utiliza dos baterías de ciclo profundo y larga duración de 12 voltios, selladas y libres de mantenimiento. Se recargan mediante el cargador externo suministrado.

- Cargue las baterías de su scooter de por lo menos 8 a 14 horas antes de usarlas por primera vez.
- Para que el scooter funcione perfectamente, mantenga las baterías totalmente cargadas.

LECTURA DEL VOLTAJE DE LAS BATERÍAS

El indicador de batería de la consola muestra la potencia aproximada de las baterías mediante un código de color. De derecha a izquierda, el verde indica que las baterías están completamente cargadas, el amarillo un vaciado parcial y el rojo advierte sobre la necesidad de recargarlas (**fig. 13**). Para obtener la mayor precisión, compruebe el indicador de baterías conduciendo el scooter a velocidad máxima, sobre una superficie plana y seca. Para modelos con pantalla LCD, por favor diríjase a la sección “Indicador de la condición de la batería” en la página 115.

Para los modelos equipados con medidor de estado de la batería 1c, el medidor de estado de la batería en la consola del timón indica la carga aproximada de sus baterías usando un código de color. De derecha a izquierda en el medidor, el verde (5 LED) indica que las baterías están completamente cargadas, el amarillo (3 LED) una carga que se está agotando y el rojo (2 LED) indica que es necesaria una recarga inmediata. Consulte la figura 13. Para garantizar la máxima precisión, debe comprobar el medidor de estado de la batería mientras conduce el vehículo a toda velocidad sobre una superficie seca y nivelada. Cuando se muestran 5 LED (2 LED rojos y 3 LED amarillos), sus baterías tienen un 10% de carga restante.

NOTA: *Le Mètre ambiant ajuste la luminosité en fonction de l'environnement.*

CARGADO DE BATERÍAS



¡PROHIBIDO! No quite el contacto de tierra del enchufe para evitar cualquier riesgo eléctrico. Si su toma de corriente tiene únicamente 2 orificios, instale un adaptador de 3 contactos adecuado.



¡PROHIBIDO! No conecte cables de prolongación al cable del cargador de batería, ya que podría provocar un riesgo eléctrico.



¡PROHIBIDO! Mientras las baterías se cargan, no deje que los niños jueguen cerca del scooter sin supervisión. Le recomendamos no cargar las baterías mientras la silla esté ocupada.



¡OBLIGATORIO! Antes de cargar las baterías, lea las instrucciones de carga en este manual y en el manual suministrado con el cargador de batería.

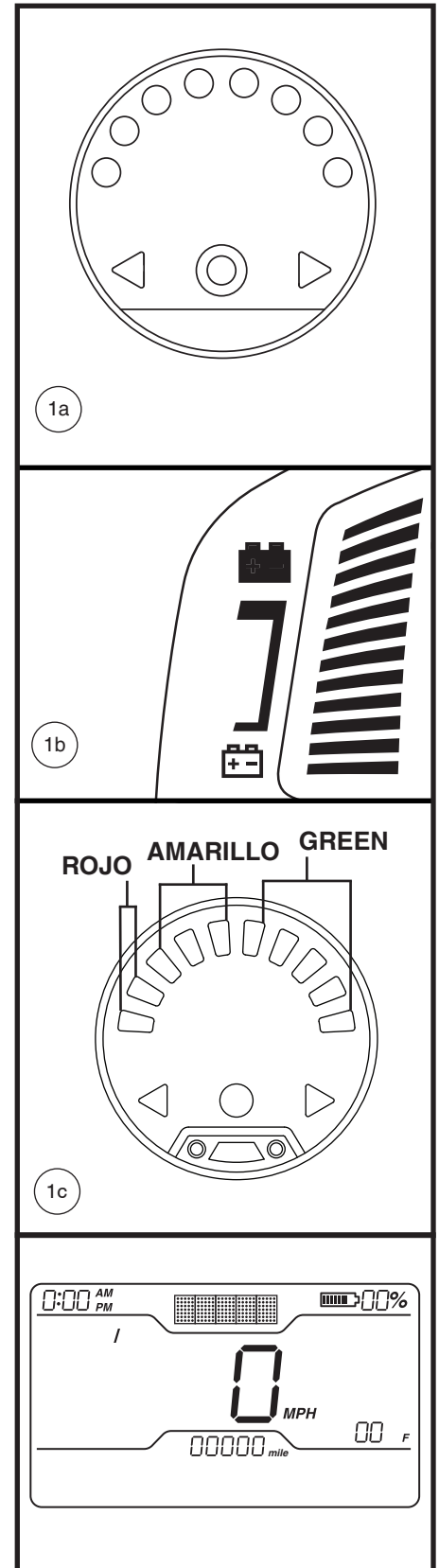


Figura 13. Indicador de Batería

III. BATERÍAS Y SU CARGA



¡ADVERTENCIA! Durante el cargado de baterías se pueden generar gases explosivos. Mantenga su silla y el cargador alejados de fuentes ignífugas como llamas o chispas, y proporcione una ventilación adecuada durante el cargado de baterías.

¡ADVERTENCIA! Utilice el cargador externo suministrado para recargar las baterías de su silla. No utilice los cargadores utilizados en los automóviles.

¡ADVERTENCIA! Antes de cada uso, compruebe el estado de cargador, cables y conectores. Contacte con su proveedor autorizado si encontrara algún daño.



¡ADVERTENCIA! No intente abrir la carcasa del cargador de batería. Si el cargador no funcionara correctamente, contacte con su proveedor autorizado.

¡ADVERTENCIA! Si el cargador de batería externo viene equipado con ranuras de ventilación, no obstruya el paso de dichas ranuras.

¡ADVERTENCIA! Tenga en cuenta que la carcasa del cargador puede acabar recalentándose durante el cargado. Evite todo contacto con la piel y no deje el cargador sobre superficies a las que pueda afectar el calor.



¡ADVERTENCIA! Salvo que su cargador haya sido probado y aprobado para exteriores, no lo exponga a condiciones ambientales extremas o adversas. Si hubiera sido expuesto a condiciones ambientales extremas o adversas, deberá dejarlo adaptarse a las nuevas condiciones en interiores antes de volver a utilizarlo. Para más información, consulte el manual suministrado con su cargador de batería.

Para cargar las baterías de forma segura con el cargador externo:

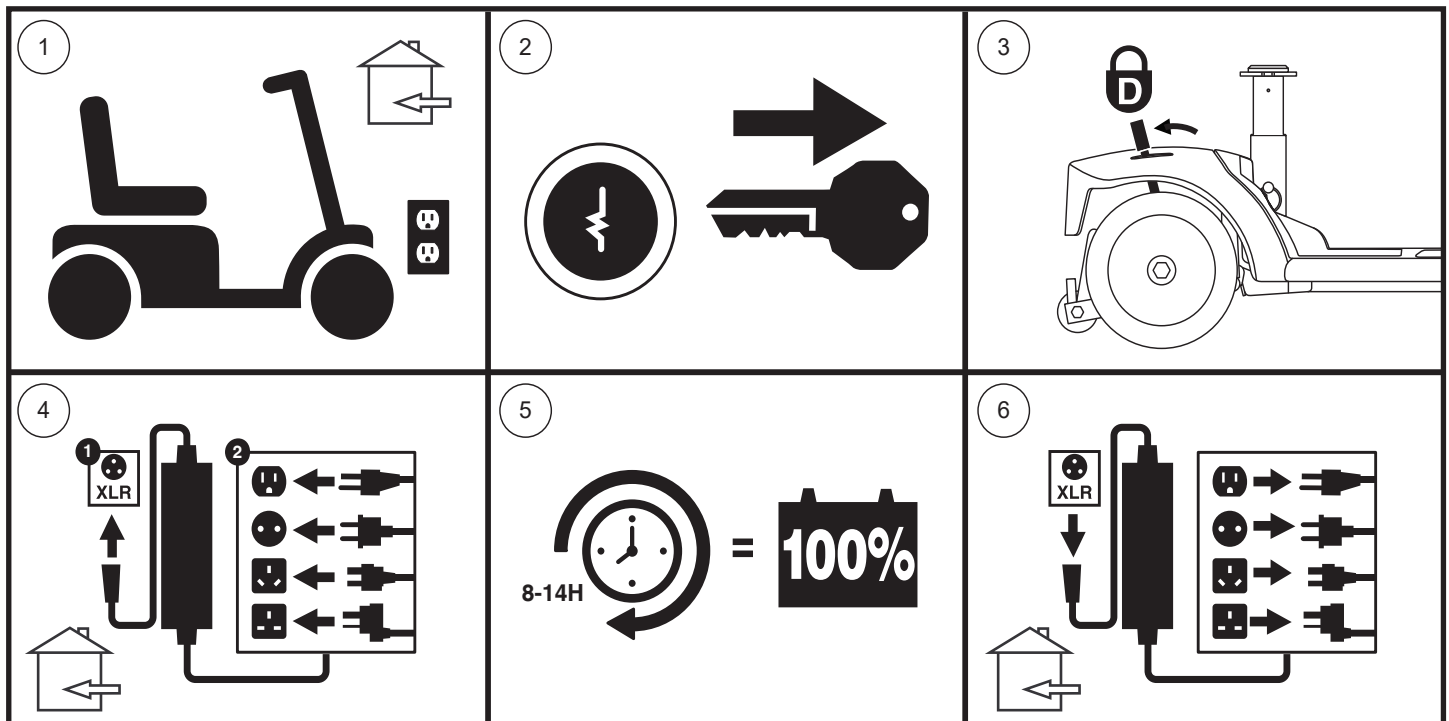


Figura 14. Diagrama del procedimiento de carga de las baterías

III. BATERÍAS Y SU CARGA



¡ADVERTENCIA! Los indicadores LED en el cargador indican los diferentes estados de carga en cada momento. Si al cabo de 24 horas, el LED sigue sin indicar una carga completa, desenchufe el cargador de la toma de corriente y póngase en contacto con su proveedor. Para saber más sobre estos indicadores, consulte la etiqueta del cargador.

NOTA: El scooter dispone de un bloqueador del cargador. Ni el scooter ni el indicador de batería funcionarán mientras se estén cargando las baterías.

PREGUNTAS MÁS FRECUENTES (P+F)

¿Cómo funciona el cargador?

Cuando el nivel de voltaje de las baterías es bajo, el cargador trabaja más duro, enviando más corriente eléctrica a las baterías para llenarlas. Cuando están casi totalmente cargadas, el cargador envía cada vez menos corriente eléctrica. Una vez cargadas completamente, la corriente enviada por el cargador baja hasta un amperaje cercano al cero. Por ello, cuando el cargador está enchufado, mantiene el nivel de carga de las baterías de su scooter, pero sin sobrecargarlas. Para las instrucciones sobre el cargado de baterías, consulte el manual suministrado con el cargador.

¿Puedo utilizar otro tipo de cargador?

Los cargadores varían en función de los usos, y están específicamente adaptados al tipo, tamaño y formulación química de unas determinadas baterías. Para conseguir un cargado más eficiente y seguro de las baterías de su scooter, utilice únicamente el cargador suministrado con el equipo original de su producto. Queda prohibido cualquier método de carga en el que se carguen las baterías individualmente.

¿Por qué no consigo cargar las baterías de mi scooter?

- Compruebe que los cables de batería negro (-) y rojo (+) estén conectados correctamente a los bornes de batería.
- Compruebe que ambos extremos del cable de alimentación del cargador estén bien conectados.
- Asegúrese de que el disyuntor no esté disparado.

¿Con qué frecuencia debo recargar las baterías?

Para determinar con qué frecuencia debe cargar las baterías, tenga en cuenta estos dos factores principales:

- Utilización intensiva a diario.
- Uso infrecuente o esporádico.

Teniendo en cuenta esto, podrá determinar con qué frecuencia y durante cuánto tiempo debe cargar las baterías de su scooter. El cargador de batería está pensado para no sobrecargar las baterías del scooter. No obstante, puede tener problemas si no recarga las baterías con la frecuencia requerida o regularmente. Para obtener un cargado y un funcionamiento seguros y fiables, observe las siguientes consignas.

- Si utiliza el scooter a diario, recargue las baterías al finalizar el día. Así, estará listo a la mañana siguiente. Si lo utiliza diariamente, le recomendamos que deje cargando las baterías de por lo menos 8 a 14 horas cada día. Recomendamos dejar cargando las baterías durante 4 horas más después de que el indicador muestre que la carga ha sido completada.
- Si lo utiliza una vez a la semana o menos, cárguelas al menos una vez a la semana durante por lo menos 24 horas.

NOTA: Mantenga siempre las baterías cargadas y no deje que se descarguen completamente. Para las instrucciones sobre el cargado de baterías, consulte el manual suministrado con el cargador. Para mejorar el rendimiento y la vida de sus baterías, nosotros recomendamos cargar las baterías durante al menos 48 horas seguidas una vez al mes.

III. BATERÍAS Y SU CARGA

¿Cómo puedo lograr la máxima vida para mis baterías?

Una batería de ciclo profundo completamente cargada es una garantía de larga vida y alto rendimiento. Siempre que sea posible, mantenga las baterías de su scooter completamente cargadas. Proteja su scooter y las baterías del calor y el frío extremos. Las baterías que se dejan descargar con frecuencia, no se cargan con regularidad, se guardan bajo temperaturas extremas o antes de haberlas recargado completamente pueden dañarse de forma permanente, afectando al funcionamiento del producto y limitando la vida de las mismas.

NOTA: Para prolongar la autonomía de las baterías, apague el scooter y extraiga la llave de contacto siempre que no lo esté utilizando.

¿Cómo puedo obtener el máximo rendimiento por carga?

En general, las situaciones ideales de conducción (terreno liso, plano y firme, sin viento, ni curvas o pendiente) son infrecuentes. En la mayoría de los casos, encontrará pendientes, ranuras en aceras, superficies mal pavimentadas y curvas. Estos factores afectan a la distancia que puede recorrer (la duración de las baterías).

- Antes de usarlas, cargue completamente las baterías.
- Mantenga pero no supere la presión de aire en psi/bares/kPa indicada en cada rueda.
- Planee su trayecto para evitar en lo posible pendientes y superficies blandas o irregulares.
- Limite el equipaje a los artículos imprescindibles.
- Intente mantener una velocidad constante cuando el scooter esté en movimiento.
- Evite avanzar a trompicones.
- Para mejorar el rendimiento y la vida de sus baterías, le recomendamos cargar las baterías durante al menos 48 horas seguidas una vez al mes.
- Compruebe que todos los cables estén conectados correctamente.

¿Qué tipo de baterías debo utilizar?

Le recomendamos las baterías de ciclo profundo que vienen selladas y no necesitan mantenimiento. Tanto las baterías AGM como las de gel son baterías de ciclo profundo, y su rendimiento es similar. No utilice baterías líquidas, con tapas extraíbles. Consulte el cuadro de especificaciones para saber el tamaño, ya que las baterías varían en función del fabricante.



¡ADVERTENCIA! Las baterías están fabricadas con materiales químicos corrosivos. Utilice únicamente baterías de gel o AGM; reducirá así los riesgos de derrame o explosión.

NOTA: Las baterías selladas no requieren mantenimiento. No levante las tapas.

¿Por qué mis baterías nuevas no rinden al máximo?

Las baterías de ciclo profundo utilizan una tecnología química distinta de las baterías para coches, las de níquel-cadmio u otros tipos de baterías. Las baterías de ciclo profundo están especialmente diseñadas para proporcionar energía, ir agotando su carga y luego permitir una recarga relativamente rápida.

Nos trabajamos en estrecha colaboración con el fabricante de nuestras baterías para ofrecerle la batería que mejor se adapta a su silla. Nuevas baterías llegan continuamente y son reexpedidas una vez que han sido cargadas. Durante el transporte, las baterías son expuestas a temperaturas extremas que pueden influir en su rendimiento inicial. El calor puede disminuir su carga, y el frío ralentizar la energía disponible y alargar el tiempo necesario para volver a cargar la batería (lo mismo que ocurre en el automóvil).

Serán necesarios unos cuantos días para que la temperatura de las baterías del scooter se estabilice y adapte a la nueva temperatura ambiente. Por otra parte, deberán pasar varios ciclos de carga (vaciado parcial seguido de recarga completa) antes de lograr el equilibrio químico esencial para obtener el máximo rendimiento y duración de una batería de ciclo profundo.

III. BATERÍAS Y SU CARGA

Siga estos pasos para “rodar” correctamente las nuevas baterías de su scooter y obtener así la máxima eficacia y duración:

1. Cargue completamente las baterías nuevas antes de utilizarlas por primera vez. Con este ciclo de carga conseguirá que rindan al 88% de su nivel máximo.
2. Maneje su nuevo scooter por zonas seguras y familiares. Al principio, conduzca despacio y no vaya demasiado lejos de su casa o entornos habituales hasta que no se haya acostumbrado a los controles del scooter y haya rodado correctamente las baterías.
3. Recargue completamente las baterías. Así, conseguirá que rindan a más del 90% de su nivel máximo.
4. Conduzca de nuevo su scooter, y vuelva a recargar completamente las baterías.
5. Tras cuatro o cinco ciclos de carga, las baterías podrán recibir una carga del 100% de su nivel máximo de rendimiento y durarán más tiempo.

Utilización del transporte público?

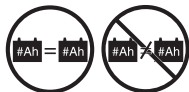
Las baterías de gel y AGM están diseñadas para su uso en motos y otros vehículos motorizados. Estas baterías son la Administración Federal de Aviación (FAA), aprobado (sólo en los EE.UU.), lo que permite un transporte seguro en aviones, autobuses y trenes, ya que no hay peligro de derrame o fuga. Si va a utilizar el transporte público, por favor póngase en contacto previamente con la compañía para cumplir con sus requisitos específicos.

III. BATERÍAS Y SU CARGA

¿Cómo se cambian las baterías de mi scooter?



¡OBLIGATORIO! Los bornes, terminales de batería y otros accesorios contienen compuestos de plomo. Durante la manipulación, póngase gafas y guantes, y lávese las manos después.



¡PROHIBIDO! Use siempre dos baterías que sean idénticas, del mismo tipo, composición química y capacidad nominal (Ah). Consulte el cuadro de especificaciones de este manual y del manual suministrado con el cargador para saber el tipo de batería recomendado y su capacidad nominal.



¡ADVERTENCIA! No mezcle baterías viejas y nuevas. Cambie siempre ambas baterías al mismo tiempo.

¡ADVERTENCIA! Si tiene alguna duda acerca de las baterías de su scooter, no dude en contactar con su proveedor autorizado.

¡ADVERTENCIA! No manipule las baterías con el asiento ocupado.

¡ADVERTENCIA! Las baterías de su scooter únicamente podrán ser mantenidas o reemplazadas por un proveedor autorizado o un técnico cualificado.



¡PROHIBIDO! Evite el contacto de herramientas y otros objetos metálicos con los terminales de batería. El contacto con herramientas puede producir descargas eléctricas.

Para cambiar las baterías, necesitará las siguientes herramientas:

- llaves de tubo con trinquete estándar y métricas
- llave inglesa
- destornillador



¡ADVERTENCIA! No levante pesos por encima de sus capacidades físicas. En caso necesario, pida ayuda para montar o desmontar el scooter.

Para cambiar las baterías su scooter:

1. Retire el asiento y la carrocería trasera (fig. 15).
 - a.) Para los modelos 614 y 714, retire la cubierta trasera quitando los dos (2) tornillos de mariposa que la fijan al chasis del scooter, y luego levante la cubierta en forma recta hacia arriba retirándola del scooter (fig. 15).
 - b.) Para los modelos 614 y 714, retire la cubierta de la batería quitando los cuatro (4) tornillos de mariposa que la fijan al chasis del scooter, y luego levante la cubierta en forma recta hacia arriba retirándola del scooter (fig. 15).
2. Desconecte la cincha(s) de amarre de las baterías.
3. Para todos los modelos *EXCEPTO* el 614 y el 714, desconecte la cincha de amarre frontal-posterior. Desenchufe ambas cinchas de la batería extrayendo cada cincha de su enchufe de conexión (fig. 17).



¡ADVERTENCIA! No tire directamente de los cables eléctricos para desconectarlos del scooter. Sujete siempre por el conector del cable para evitar cualquier daño a la hora de desenganchar los cables.

¡ADVERTENCIA! Si no desenchufa ambas cinchas de la batería y la cincha de amarre frontal-posterior antes de separar las secciones delantera y trasera, esto puede provocarle un daño permanente al scooter.

4. Desconecte los cables de batería de los terminales de batería deslizando hacia atrás las cubiertas de las terminales y desenroscando la tuerca del tornillo (fig. 16).
5. Extraiga las baterías viejas.

NOTA: Algunos scooters tienen espaciadores instalados para asegurar las baterías. Usted puede remover los espaciadores para guardarlos seguros hasta que las baterías sean reemplazadas en el scooter. Ver figura 18.

6. Coloque una nueva batería en cada espacio destinado a las baterías. Las terminales de la batería deben mirar en sentido contrario al asiento, con las terminales positivas (+) y negativas (-) posicionadas tal como se indica en la figura 17.

III. BATERÍAS Y SU CARGA

NOTA: Los modelos 614 y 714 usan cinchas para batería para fijar las baterías a los espacios destinados a las baterías. Por favor, vea la figura 17 para conocer los procedimientos de instalación de cinchas de batería.

7. Conecte el cable rojo de batería al borne positivo (+).
8. Conecte el cable negro de batería al borne negativo (-).
9. Vuelva a colocar los capuchones sobre los bornes.
10. Vuelva a colocar las cinchas de amarre.
11. Coloque de nuevo la carrocería posterior y el asiento.

NOTA: Si alguna batería está dañada o agrietada, guárdela inmediatamente en una bolsa plástica y llame a su proveedor autorizado para saber dónde debe tirarla. Su proveedor autorizado dispondrá además de la información necesaria sobre reciclado de baterías, que es lo que nosotros recomendamos.

NOTA: Mientras reemplaza las baterías en el 7132, debe usar el arnés de puente de la batería si usa 2 baterías de litio en paralelo.

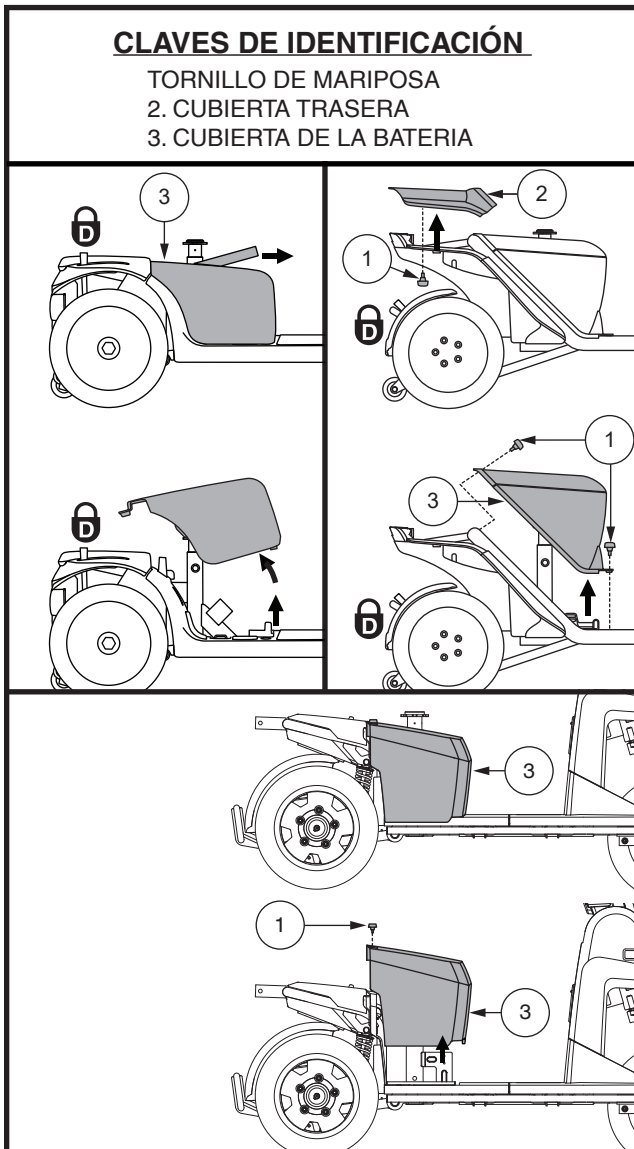


Figura 15. Remoción de la cubierta trasera/ Instalación

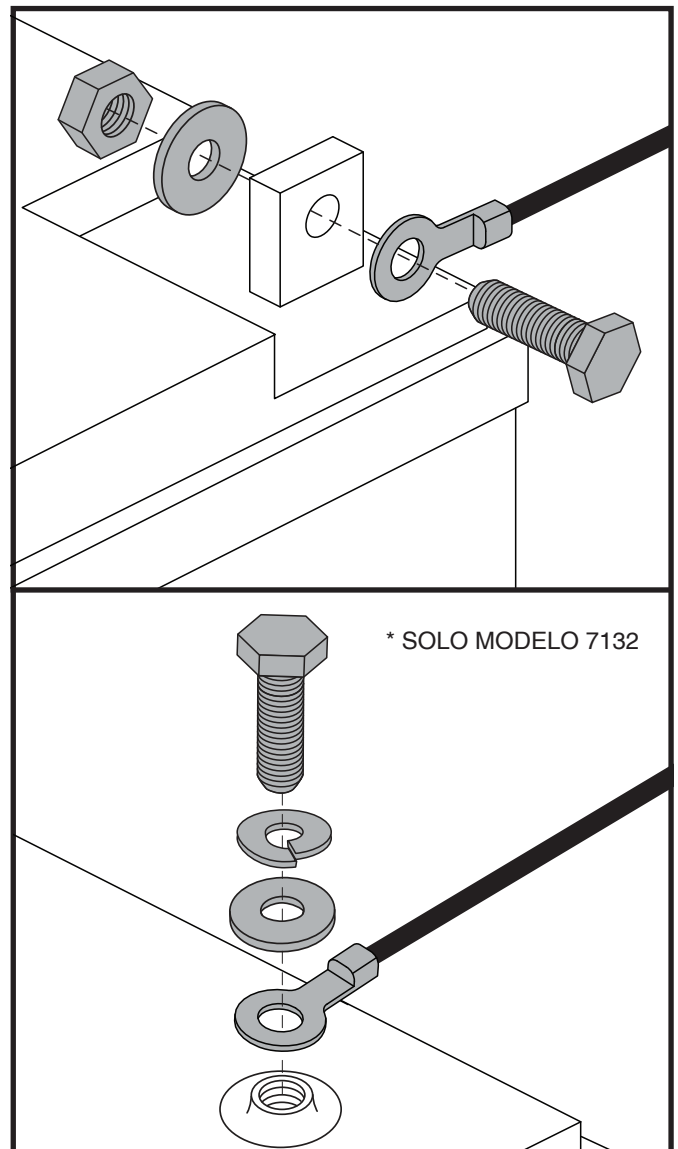


Figura 16. Equipo Terminal de la Batería

III. BATERÍAS Y SU CARGA

CLAVES DE IDENTIFICACIÓN

1. BOTÓN DISYUNTOR/REINICIO

- 1a. Botón de Reinicio
- 1b. Palanca de Reinicio
- 1c. Reinicio Automático

2. BORNES DE BATERÍA BAJO CAPUCHONES

- 3. CINCHA DE AMARRE DE LAS BATERÍAS
- 4. CABLE DE BATERÍA
- 5. CABLE DE CONEXIÓN FRONTAL-POSTERIOR
- 6. ARNÉS DE PUENTE DE BATERÍA

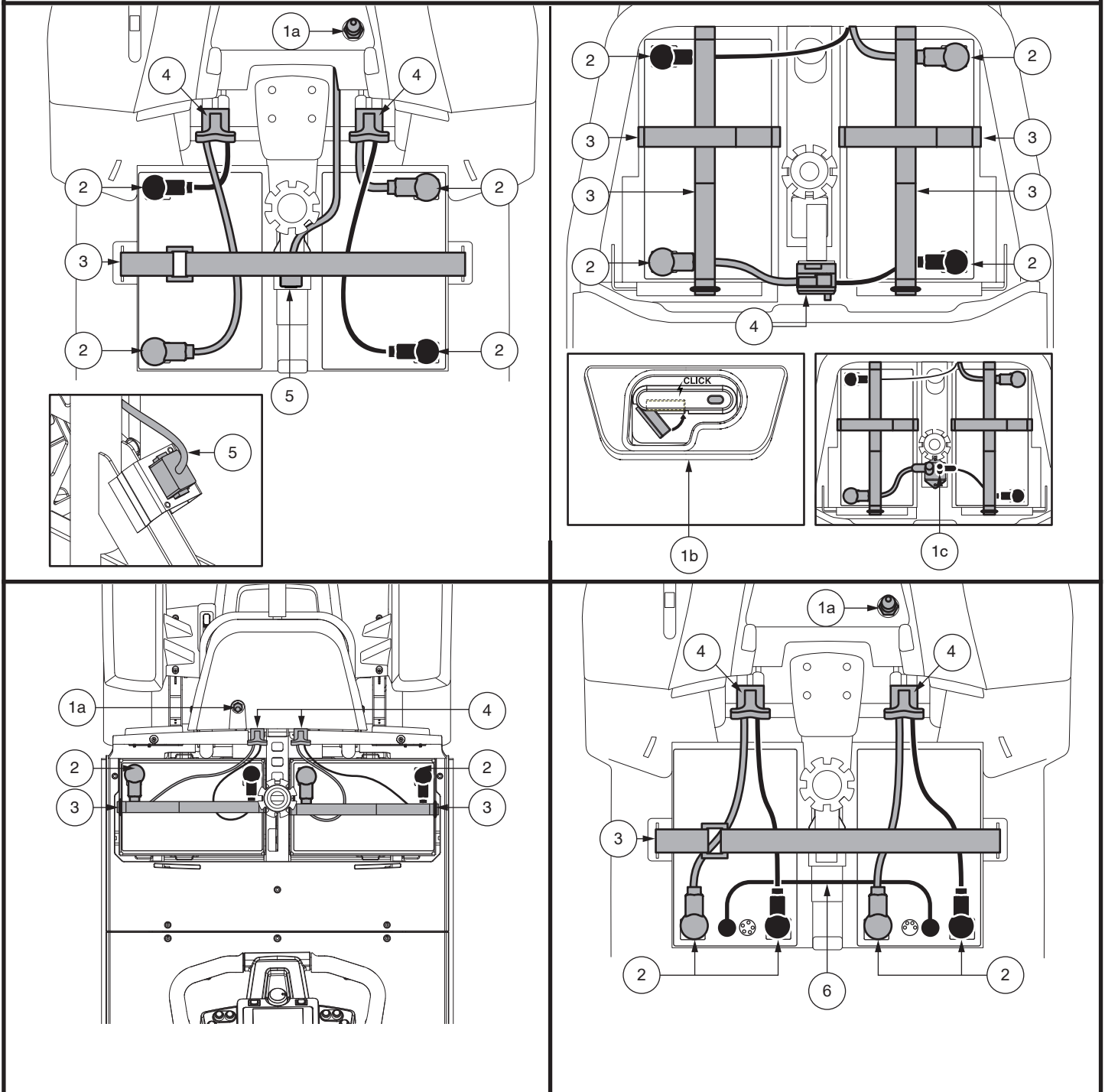


Figura 17. Remoción de la batería / Instalación de Terminales y Conexiones

III. BATERÍAS Y SU CARGA

Amarre de baterías y colocación de cinchas

1. Amarre las baterías a los espacios destinados para las baterías colocando las cinchas de batería provistas a través de las ranuras de los espacios destinados a las baterías, tal como se muestra.
2. Asegúrese de que la cincha corta corra sobre la parte superior de la cincha larga.

NOTE: Antes de amarrar ambas cinchas, asegúrese que el anillo en D estén ubicados como se indica aquí. El anillo en D debe estar ubicado aproximadamente a 2.54 cm (1 pulgada) de distancia del espacio de la batería, pero nunca debe tocarlo.

3. Cualquier exceso de cincha debe ser ubicado mirando hacia la parte trasera, o junto al asiento, del scooter.



ADVERTENCIA! Las cinchas de la batería nunca se deben colocar debajo de la batería.

CLAVES DE IDENTIFICACIÓN

- | | |
|---------------------------|----------------------------|
| 1. AJUSTADOR REUTILIZABLE | 5. RANURA DELANTERA |
| 2. CINCHA CORTA | 6. RANURA LATERAL |
| 3. CINCHA LARGA | 7. RANURA TRASERA |
| 4. ANILLO EN D | 8. ESPACIADORES DE BATERÍA |

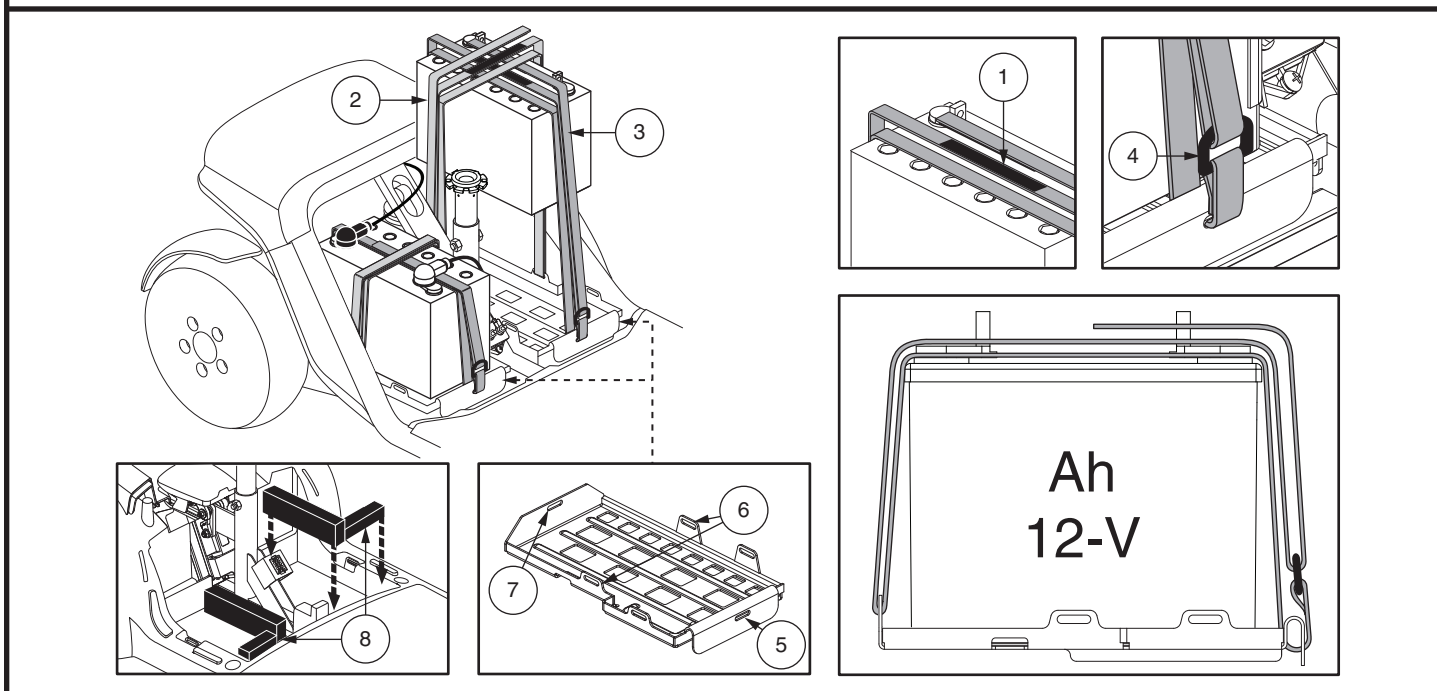


Figura 18. Amarre de baterías para los modelos 614 y 714

En caso de un problema eléctrico o un evento térmico, la energía de la batería se puede desconectar rápidamente para que las baterías se puedan aislar para el transporte para el servicio.

¡ADVERTENCIA! Cuando se enfrente a una situación de emergencia, las baterías se pueden desconectar rápidamente tirando hacia ADELANTE de la correa de desconexión de emergencia de la batería. Con precaución. Tenga en cuenta que apagar el scooter puede hacer que se detenga abruptamente. Para liberar la parada de emergencia y restaurar la capacidad de conducción del scooter, retire el asiento y la cubierta de la batería y vuelva a conectar el conector de la batería como se muestra en la Figura 16.



¡ADVERTENCIA! Si la correa de desconexión de la batería está enganchada mientras su scooter está en movimiento, los frenos electrónicos se activarán y su scooter se detendrá bruscamente.

IV. FUNCIONAMIENTO

ANTES DE MONTAR EN EL SCOOTER

- ¿Ha cargado las baterías completamente? Capítulo III, “Baterías y su carga”.
- ¿Está la palanca manual en el modo conducción (hacia atrás)? A menos que quiera empujar manualmente su scooter, nunca deje la palanca manual hacia delante.
- Asegúrese de que la temperatura del aire es de entre -13°F/-25°C a 122°F/50°C.

AL MONTAR EN EL SCOOTER

1. Asegúrese de sacar la llave de la cerradura de contacto.



¡ADVERTENCIA! Nunca intente subir o bajar de su scooter sin antes quitar la llave de la cerradura de contacto. Así, evitará que el scooter se mueva si accidentalmente acciona la palanca aceleradora.

2. Colóquese a un lado del scooter.
3. Afloje la palanca de bloqueo del asiento y gire éste de forma que quede mirando hacia usted.
4. Compruebe que el asiento esté firme y no se mueva.
5. Siéntese con cuidado y póngase cómodo en el asiento.
6. Afloje la palanca de bloqueo del asiento y gire éste hasta quedar mirando al frente.
7. Compruebe que el asiento esté firme y no se mueva.
8. Asegúrese de que sus pies estén apoyados correctamente en el piso del scooter.

AJUSTES Y CONTROLES PREVIOS

- ¿Está el asiento a la altura adecuada? Consulte el Capítulo V, “Optimizar el confort”.
- ¿Está el asiento bien sujeto en su sitio?
- ¿El manillar está en una posición cómoda y bien sujeto en su sitio? Capítulo V, “Optimizar el confort”.
- ¿La llave está completamente insertada en la cerradura de contacto y girada en sentido horario hacia la posición “on”?
- ¿El claxon de scooter funciona correctamente?
- ¿El camino por el que va a circular está libre de gente, animales y obstáculos?
- ¿Ha planeado su itinerario para evitar superficies irregulares y todas las pendientes que pueda?
- Antes de conducir su scooter, especialmente después de guardarla, apriete completamente la palanca del freno de mano de cinco a siete (5-7) veces para confirmar que el freno de mano funciona correctamente.

MANEJO DEL SCOOTER

¡ADVERTENCIA! Lo siguiente podría afectar negativamente a la dirección y estabilidad mientras conduce su scooter:

- Sujetar o llevar atada una correa para pasear a su mascota.
- Llevar pasajeros (incluidas mascotas).
- Colgar cualquier artículo del manillar.
- Remolcar o ser remolcado por otro vehículo motorizado.



¡ADVERTENCIA! ¡Peligro de vuelco! Evite hacer maniobras bruscas a velocidad excesiva. Se recomienda ajustar el regulador de velocidad a la posición más baja hasta que se familiarice con los controles y el funcionamiento del scooter.

¡ADVERTENCIA! Las distancias de frenado del scooter son mayores en una pendiente.

¡ADVERTENCIA! Mantenga siempre ambas manos en el manillar y sus pies en el piso del vehículo mientras maneje el scooter. Esta posición de conducción le garantiza el mayor control sobre su vehículo.

- Seleccione la velocidad máx. deseada con el regulador de velocidad.
- Empuje o tire del lado correcto de la palanca de control de aceleración.
- El freno de disco electromecánico de estacionamiento se desactiva automáticamente y el scooter acelera suavemente hasta la velocidad preseleccionada con el regulador de velocidad.
- Tire del puño izquierdo para dirigir el scooter hacia la izquierda.
- Tire del puño derecho para dirigir el scooter hacia la derecha.

IV. FUNCIONAMIENTO

- Mueva el manillar a la posición central para circular todo recto.
- Para detenerse, suelte suavemente la palanca aceleradora. Los frenos electrónicos se activan automáticamente al detenerse el scooter.

NOTA: *La velocidad marcha atrás del scooter es más lenta que la velocidad hacia delante preseleccionada en el regulador de velocidad o en el panel de control LCD.*

PARA BAJAR DEL SCOOTER

1. Detenga completamente el scooter.
2. Saque la llave de la cerradura de contacto.



¡ADVERTENCIA! Nunca intente subir o bajar de su scooter sin antes quitar la llave de la cerradura de contacto. Así, evitará que el scooter se mueva si accidentalmente acciona la palanca aceleradora.

3. Afloje la palanca de bloqueo del asiento y gire éste hasta quedar mirando hacia un lateral del scooter.
4. Compruebe que el asiento esté firme y no se mueva.
5. Con cuidado, bájese del asiento y colóquese a un lado del scooter.
6. Puede dejar el asiento mirando hacia un lateral para que la próxima vez le sea más fácil subirse al scooter.

TEMPORIZADOR DE DESCONEXIÓN

Su scooter está equipado con una función de temporizador de apagado automático diseñada para evitar que su scooter se mueva si se deja desatendido. Si deja accidentalmente la llave en la posición “on” pero no utiliza su scooter durante unos 20 minutos, el controlador del scooter se apagará automáticamente. Aunque el controlador esté apagado, el sistema eléctrico del scooter seguirá funcionando.

Siga los pasos siguientes para retomar el funcionamiento normal tras la activación del temporizador de desconexión:

1. Saque la llave de la cerradura de contacto.
2. Vuelva a introducir la llave y encienda el scooter.

V. OPTIMIZAR EL CONFORT

AJUSTE DEL ÁNGULO DEL MANILLAR (fig. 1, 8 o 19)

¡ADVERTENCIA! Saque la llave de la cerradura de contacto antes de ajustar el manillar o el asiento. Nunca intente ajustar el manillar o el asiento con el scooter en movimiento.



¡ADVERTENCIA! Antes de operar el scooter, presione y jale el manillar para garantizar que el mecanismo de ajuste del ángulo esté seguro. Inspeccione el pomo de ajuste del manillar y el mecanismo de ajuste del ángulo para garantizar que estén completamente acoplados. Si ha movimiento en el manillar, contrólolo para asegurarse de que el pomo de ajuste del manillar esté completamente ajustado.



¡ADVERTENCIA! No intente usar la palanca de ajuste del timón como freno de mano.

NOTA: Para poder bajar la caña del manillar al piso del scooter, deberá quitar en primer lugar el asiento.

POSICIÓN DEL RETROVISOR

Para instalar el/los retrovisor/es (fig. 1 o 8):

1. Elija un lateral donde colocarlo y retire el tapón de goma de la parte superior de la empuñadura.
2. Introduzca el extremo fileteado del soporte de retrovisor en la abertura y gírelo en sentido horario hasta que quede acoplado.
3. En caso necesario, gire la tuerca en sentido horario para sujetar el retrovisor en su sitio.

Ajuste del retrovisor:

1. Siéntese en el scooter mirando hacia delante.
2. Ajuste el retrovisor a izquierda, derecha, arriba o abajo hasta conseguir un buen ángulo de visión posterior.

REGULACIÓN DEL RESPALDO



¡ADVERTENCIA! No conduzca el scooter con el respaldo en posición reclinada.

¡ADVERTENCIA! Mantenga siempre su espalda apoyada firmemente contra el respaldo mientras ajusta este ángulo.

Para ajustar el asiento reclinable de su scooter, siga los siguientes pasos (fig. 20).

1. Con la espalda apoyada contra el respaldo, levante la palanca de ajuste del respaldo e inclínese adelante o atrás para ajustar el ángulo del respaldo.
2. Suelte la palanca de ajuste del respaldo una vez encontrada la posición de conducción deseada.

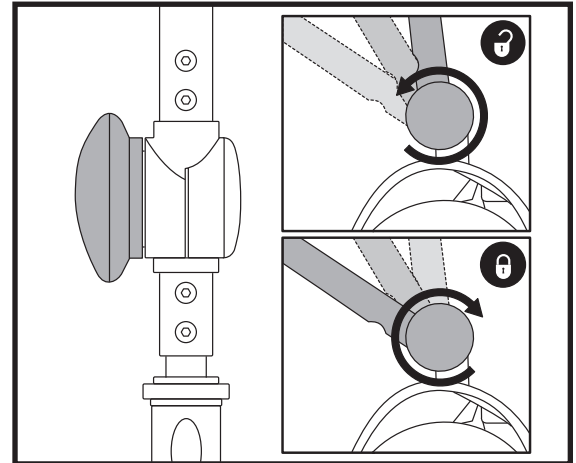


Figura 19. Regulador del manillar

CLAVES DE IDENTIFICACIÓN

1. PALANCA DE AJUSTE DEL RESPALDO
2. PALANCA DE ROTACIÓN
3. DISCO DE AJUSTE
4. PALANCA DESLIZANTE
5. SOPORTE ACCESORIO
6. POMOS DE AJUSTE

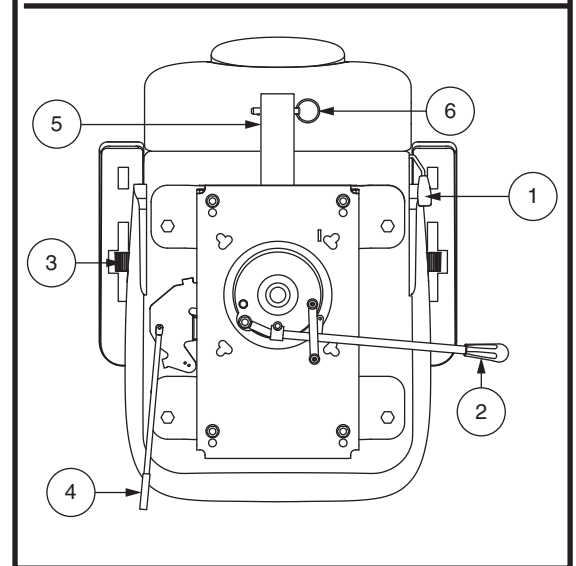


Figura 20. Ajustes en el asiento

V. OPTIMIZAR EL CONFORT

AJUSTE DE LA POSICIÓN DEL ASIENTO (ROTACIÓN)

La palanca de rotación ajusta el asiento en varias posiciones.

1. Dependiendo del tipo de asiento, tire hacia arriba o tire hacia arriba de la palanca de bloqueo para desbloquear el asiento (**fig. 20**).
2. Gire el asiento hasta la posición deseada.
3. Suelte la palanca de bloqueo para que el asiento recupere su sitio.

AJUSTE DEL ÁNGULO DE LOS REPOSABRAZOS

El ángulo del reposabrazos de su scooter puede ajustarse arriba o abajo girando el disco de ajuste (**fig. 20**).

NOTA: Levante los reposabrazos de forma que pueda subir y bajar más fácilmente del scooter.

AJUSTE DE LA POSICIÓN DEL ASIENTO (ADELANTE-ATRÁS)

Puede colocar el asiento más hacia delante o hacia atrás para ajustar la distancia entre el asiento y el manillar.

1. Mueva la palanca de deslizamiento hacia fuera (**fig. 20**).
2. Mientras sujeta la palanca hacia fuera, deslice el asiento adelante o atrás.
3. Suelte la palanca de deslizamiento una vez alcanzada la posición deseada.

SOPORTE ACCESORIO

El soporte de montaje trasero le permite colocar un accesorio personal, como una cesta, un soporte para andador, o un tanque de oxígeno en la parte trasera del scooter. Utilice el pasador de retención para montar de forma segura sus accesorios en el soporte (**fig. 20**). Consulte con su proveedor autorizado para más detalles.

AJUSTE DE LA ALTURA DEL ASIENTO

El asiento puede colocarse a diferentes alturas (**fig. 21**).

1. Retire el asiento y/o las carrocerías trasera del scooter.
2. Extraiga el perno de regulación de altura del asiento.
3. Suba o baje la parte superior de la torre del asiento hasta lograr la altura deseada.
4. Sujetando la parte superior de la torre a esa altura, haga coincidir los orificios de posición en la parte superior e inferior de la torre.
5. Introduzca el perno de regulación de altura por los orificios de posición superior e inferior de las torres.
6. Vuelva a colocar la tuerca del perno de regulación de altura y apriete.
7. Coloque las carrocerías posterior y el asiento.

CLAVES DE IDENTIFICACIÓN

1. TORRE SUPERIOR
2. TUERCA
3. PERNO REGULADOR DE ALTURA
4. TORRE INFERIOR

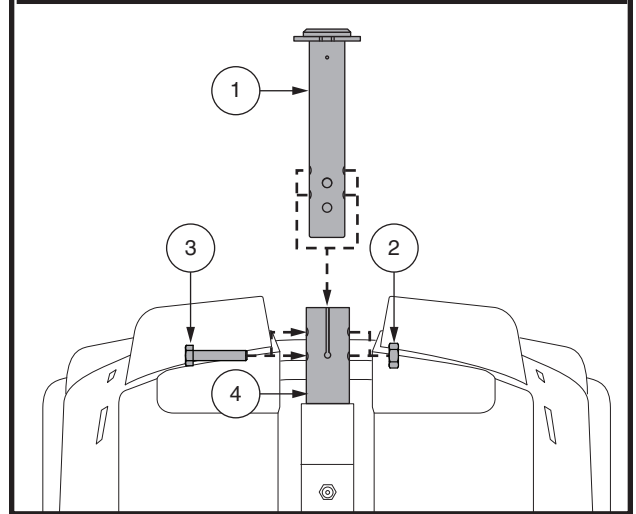


Figura 21. Altura del asiento

CLAVES DE IDENTIFICACIÓN

1. PROTECTOR
2. TORRE SUPERIOR
3. RESORTE DE COMODIDAD
capacidad de peso: 0-90.72 kg (0-220 lbs.)
90.72-181.44 kg (220-400 lbs.)
4. ESPACIADOR
5. PERNO DE TOPE (24 N • m [210 in • lb])
6. TORRE INFERIOR
7. ARANDELA
8. TUERCA

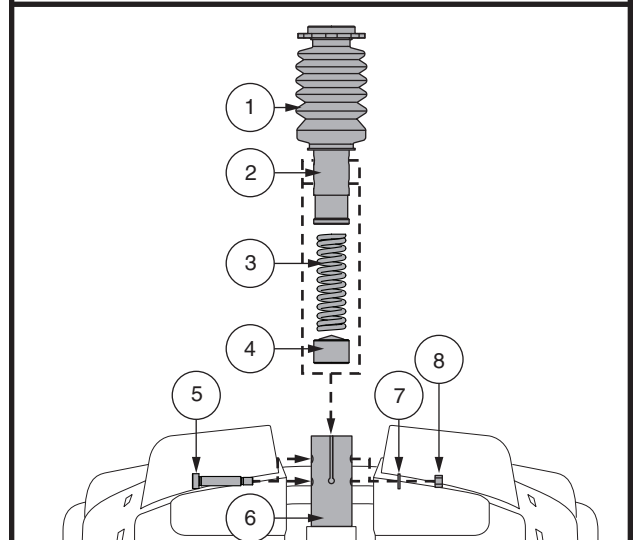


Figura 22. Altura del Asiento - Confort Asiento Tija del Sillín

V. OPTIMIZAR EL CONFORT

AJUSTE DE LA ALTURA DEL ASIENTO - COMODIDAD DE TIJA DE SILLÍN (EN MODELOS EQUIPADOS)

Para volver a colocar el asiento en una de las dos alturas diferentes:

1. Retire el asiento de su scooter. Empuje hacia adelante o tire hacia arriba y mantenga la palanca de rotación para desbloquear el asiento, luego gire el asiento y retírelo del scooter.
2. Retire la cubierta trasera.
3. Empuje hacia arriba la tija del sillín para descubrir el hardware.
4. Empuje hacia abajo el protector en forma de acordeón de la tija del sillín mientras afloja y retira el perno de tope, la arandela y la tuerca (fig. 22).
5. Retire el resorte de comodidad.
6. Para elevar el asiento hasta el orificio superior más alto, inserte el espaciador de ajuste de altura. Para bajar el asiento hasta el orificio más bajo, retire el espaciador de ajuste de altura.
7. Coloque nuevamente el resorte de comodidad.
8. Mantenga la tija del sillín superior a la altura deseada y haga coincidir los agujeros de fijación en la tija del sillín. Utilizar los orificios superiores para obtener la posición más alta, o los agujeros inferiores para la posición más baja.

NOTA: Cuando la tija del sillín se coloca en la posición superior, se deben utilizar dos espaciadores.

9. Presione la tija del sillín mientras vuelve a instalar la tornillería, y ajuste a 24 N • m (210 lb • en).
10. Vuelva a colocar la cubierta trasera y el asiento.

AJUSTE DE LA SUSPENSIÓN DEL ASIENTO (EN MODELOS EQUIPADOS)

Usted puede aflojar o endurecer la suspensión del asiento a partir del resorte de comodidad que Ud. coloque.

Para ajustar la suspensión del asiento:

1. Retire el asiento de su scooter. Empuje hacia adelante o tire hacia arriba y sostenga la palanca de rotación del asiento para desbloquearlo, gire el asiento y retírelo del scooter.
2. Retire la cubierta trasera.
3. Empuje hacia arriba la tija del sillín para descubrir la tornillería.
4. Empuje hacia abajo la tija del sillín mientras afloja y retira el perno de cabeza hexagonal y la tuerca.
5. Retire el resorte actual.
6. Coloque el resorte deseado (fig. 22).
7. Presione hacia abajo la tija del sillín mientras vuelve a colocar el hardware y ajuste a 24 N • m (210 lb • en).
8. Vuelva a colocar la cubierta trasera y el asiento.

CINTURÓN DE SEGURIDAD (OPCIONAL)

El asiento de su scooter puede estar equipado con un cinturón de seguridad, similar al de los automóviles, que ayuda a mejorar el confort del usuario. La función del cinturón de seguridad es evitar que se deslice hacia delante o abajo en el asiento. El cinturón no está diseñado para limitar los movimientos.



¡ADVERTENCIA! El cinturón de posicionamiento no está diseñado para ser usado como un cinturón de seguridad en un vehículo a motor. Su scooter tampoco es apto para ser utilizado como asiento en ningún vehículo. Toda persona que viaje en un vehículo debe estar asegurada correctamente a los asientos aprobados por el fabricante del vehículo.

¡ADVERTENCIA! Deberá llevar abrochado el cinturón de seguridad en todo momento. No deje que el cinturón cuelgue o arrastra por el suelo ya que podría enredarse con las ruedas.

V. OPTIMIZAR EL CONFORT

Para instalar el cinturón de seguridad (en caso necesario):

1. Retire el asiento de su scooter.
2. Dé la vuelta al asiento para ver la parte inferior del mismo (fig. 23).
3. Utilice una llave para quitar los dos tornillos que sujetan la parte trasera del bastidor del asiento a la base.
4. Introduzca el tornillo a través de las extremidades correspondientes del cinturón de seguridad y luego vuelva a colocar los tornillos en la estructura del asiento.
5. Apriete los tornillos.

Cinturón de seguridad con hebilla de metal

Para ajustar el cinturón de seguridad y mejorar el confort del usuario:

1. Introduzca la aleta metálica del lado derecho del cinturón en el cuadro de plástico del lado izquierdo y presione hasta oír un clic (fig. 24).
2. Tire de la correa del lado derecho del cinturón hasta encontrar una posición segura y cómoda que no le apriete demasiado.

Para desabrochar el cinturón de seguridad:

3. Presione el mecanismo de botón en la carcasa plástica.

¡OBLIGATORIO! Antes de cada utilización, asegúrese de que el cinturón de seguridad esté bien sujeto al scooter y esté adaptado para el usuario.



¡OBLIGATORIO! Antes de utilizar el scooter, compruebe que el cinturón de seguridad no tenga ninguna pieza dañada, demasiado gastada, con polvo o suciedad, y que el pestillo de cierre esté en perfectas condiciones. Si encuentra algún problema, póngase en contacto con su proveedor autorizado para su mantenimiento o reparación.

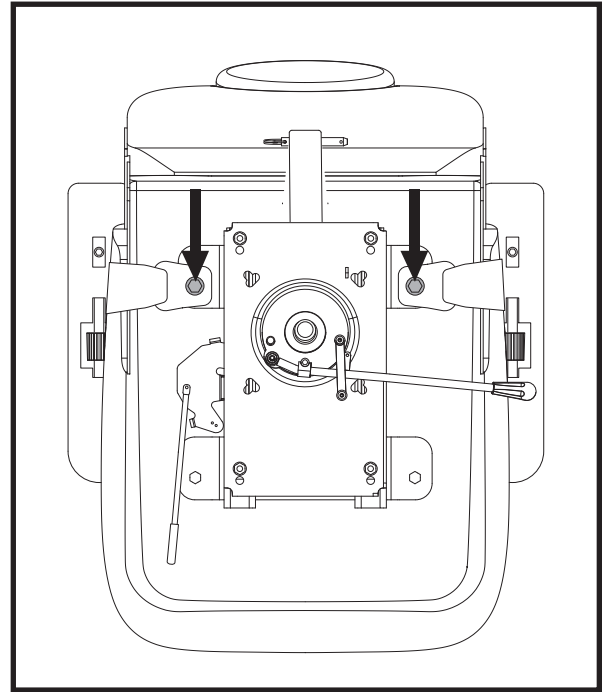


Figura 23. Tornillos del cinturón de seguridad

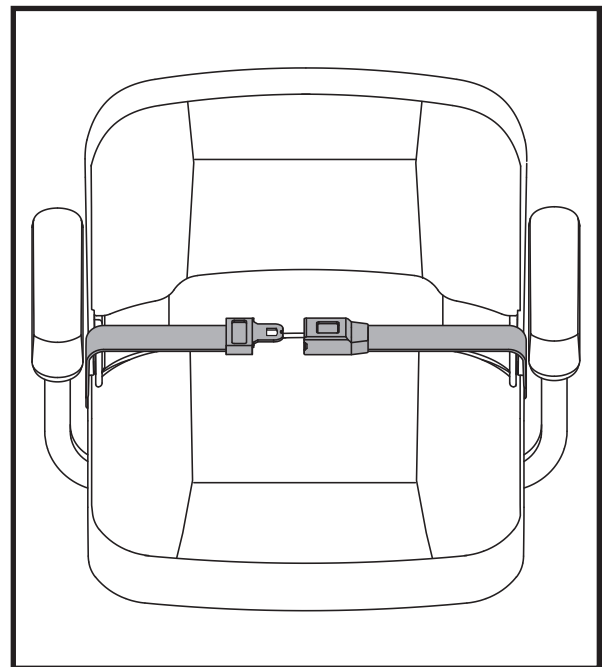


Figura 24. Cinturón de seguridad - hebilla de metal

VI. DESMONTAJE/MONTAJE

NOTA: Por favor, vea la Tabla de características del scooter en página 82 para determinar si su modelo de scooter puede ser desarmado con motivos de transporte o almacenamiento.

DESMONTAJE

Puede desmontar el scooter en varias piezas: el asiento, la sección posterior, la sección frontal, la cesta, el paquete de baterías y la cubierta de las baterías (fig. 25). No se necesitan herramientas para montar o desmontar el scooter. Para el montaje o desmontaje, coloque el scooter sobre una superficie plana y seca, y consuficiente espacio para poder trabajar. Recuerde que algunas piezas del scooter son pesadas y puede que necesite ayuda para levantarlas.



¡ADVERTENCIA! No levante pesos encima de sus capacidades físicas. En caso necesario, pida ayuda para montar o desmontar su scooter.

¡ADVERTENCIA! No levante el asiento o scooter cogiéndolo por los reposabrazos, ya que pueden girar sobre su eje y hacerle perder el control de la silla.

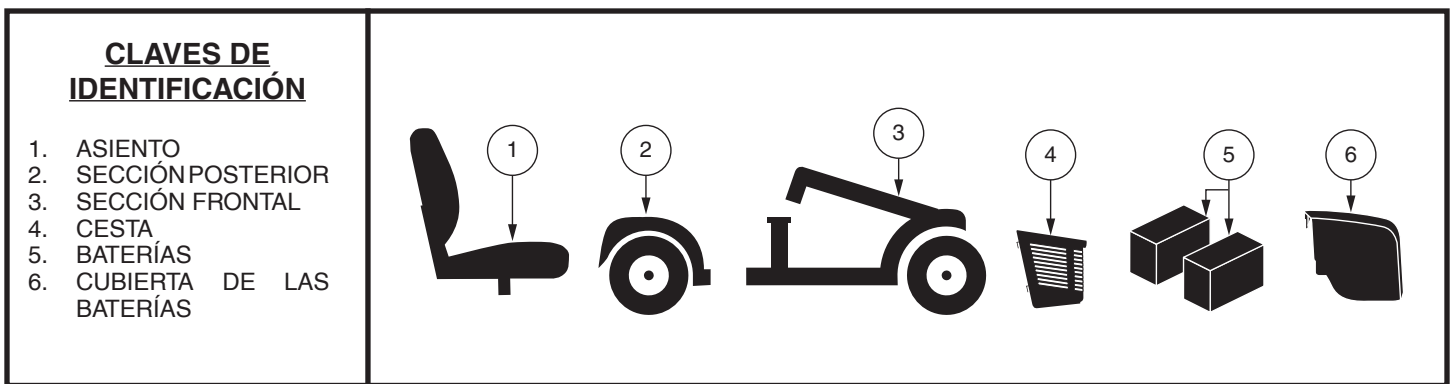


Figura 25. Componentes del scooter

Para desmontar su scooter:

1. Para quitar el asiento del scooter, tire de él hacia arriba. Si encuentra alguna resistencia, afloje la palanca de rotación del asiento y gire el asiento adelante y atrás mientras lo levanta.
2. Retire con cuidado la cubierta de la batería hacia adelante, levante y colóquela fuera del scooter.
3. Desconecte la cincha de amarre de las baterías.
4. Desconecte los cables de la conexión frontal-posterior.
5. Desconecte los dos cables de batería oprimiendo las lengüetas y tirando de cada arnés hacia arriba (fig. 17).
6. Extraiga las baterías de su compartimento.

NOTA: Si se instalan espaciadores para asegurar las baterías, remueva los espaciadores hasta que el scooter vuelva a ser ensamblado (fig. 17).



¡ADVERTENCIA! Si no desenchufara ambos cables de batería antes de separar las secciones delantera y trasera podría provocar daños permanentes en su scooter.

VI. DESMONTAJE/MONTAJE

Separación de la estructura

Para separar el marco:

1. Coloque las ruedas frontales mirando recto hacia delante.
2. Baje el manillar.

NOTA: El manillar pivotante está equipado con un mecanismo que bloqueará las ruedas frontales cuando el manillar esté completamente bajado.

3. Tome y levante hacia arriba la palanca de retiro del chasis (fig. 26).
4. Levante la parte delantera hasta que el chasis se desenganche de la parte delantera separándola de la parte trasera.
5. Separe con cuidado las dos secciones.

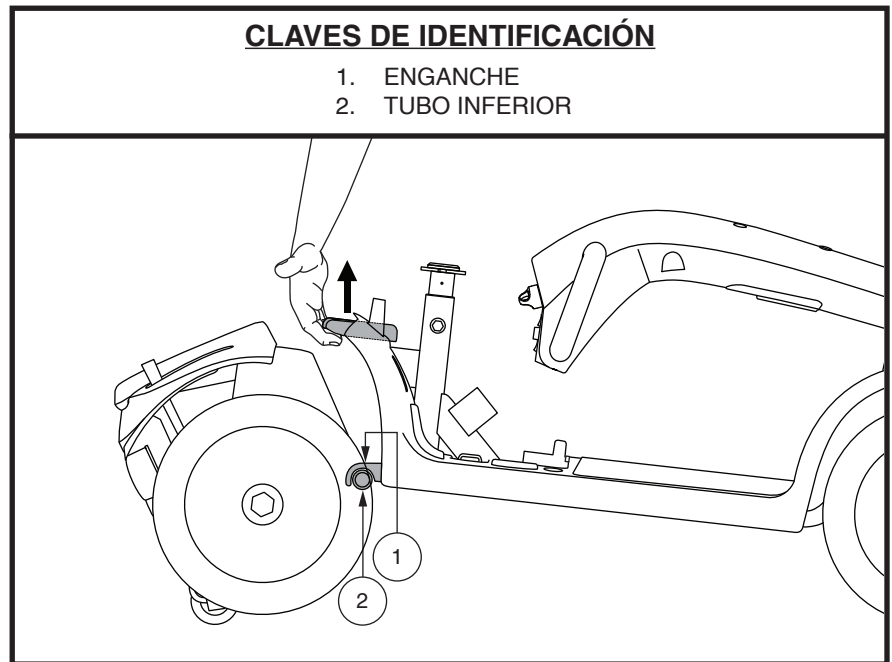


Figura 26. Palanca de extracción

MONTAJE

Para armar su scooter:

1. Coloque las secciones frontal y posterior de su scooter como se muestra en la (fig. 26).
2. Utilice la palanca de extracción para levantar la sección frontal a la vez que alinea los enganches de la sección frontal con el tubo inferior de la sección trasera.
3. Una vez colocados los enganches sobre el tubo inferior, baje la sección frontal y a la vez haga girar la sección posterior. De esta forma, bloqueará automáticamente en su sitio la estructura.
4. Suba el manillar.
5. Correctamente conecte lo conexión frontal-posterior.
6. Reinstale los espaciadores de la batería de ser posible (fig. 18).
7. Vuelva a colocar las baterías.
8. Correctamente conecte los cables de ambas baterías (fig. 17).
9. Vuelva a colocar la cincha de amarre.
10. Vuelva a colocar la carrocería trasera.
11. Coloque el asiento y gírelo hasta que de bloqueo en su sitio.



¡ADVERTENCIA! Tras el montaje y antes de conducir el scooter, compruebe siempre que el pomo regulador del manillar esté desbloqueado

VII. RESOLUCIÓN DE PROBLEMAS

Los dispositivos electromecánicos pueden tener a veces pequeños problemas. Sin embargo, la mayoría de ellos pueden resolverse utilizando un poco de lógica y sentido común. Muchos de estos problemas o fallos ocurren porque las baterías no están completamente cargadas o porque están muy gastadas y ya no pueden cargarse.

CÓDIGOS DE DIAGNÓSTICO

Los códigos de sonido de su Scooter están diseñados para ayudarle a resolver de forma rápida y sencilla problemas básicos en su vehículo. Un código de diagnóstico emitirá un pitido y/o parpadea en caso de que se desarrolle una de las condiciones que se enumeran a continuación. Dependiendo del modelo que tenga, su Scooter se comunicará con usted mediante alguno de los siguientes métodos:

1. El código de diagnóstico comenzó, dependiendo del modelo, con una serie de pitidos rápidos y/o los destellos siguieron directamente de pitidos más lentos y/o los parpadeos que indican el código real. El código sólo se emite un pitido y/o parpadea una vez. Para repetir el código de diagnóstico, retire la llave, luego vuelva a colocarla y gírela a la posición “on”, **O**
2. Oirá el código de diagnóstico que identifica el problema, una pausa, y luego la repetición del mismo código. El código seguirá repitiéndose del mismo modo hasta que apague el scooter.

NOTA: El Scooter sólo volverá a funcionar si ha resuelto el problema indicado por el código de diagnósticos y ha apagado y luego encendido el mismo.

CÓDIGO DE SONIDO	PROBLEMA	SOLUCIÓN
■ (1)	El voltaje de las baterías es bajo.	Recargue las baterías lo antes posible.
■■ (2)	El voltaje de las baterías es demasiado bajo.	Recargue las baterías.
■■■ (3)	El voltaje de las baterías es demasiado alto para manejar el vehículo, o tiene el cargador todavía conectado al puerto del cargador externo.	Desenchufe el cargador y/o gire la llave a la posición OFF, y luego de nuevo a la posición ON.
■■■■ (4)	Expiración del temporizador (límite de corriente).	Apague el scooter durante unos minutos y luego vuélvalo a encender.
■■■■■ (5)	Que la palanca manual esté en la posición manual.	Saque la llave de la cerradura de contacto, lleve la palanca de modo manual a la posición de conducción (hacia atrás) y vuelva a encender el scooter.
■■■■■■ (6)	La palanca aceleradora no estaba en su posición central en el momento del encendido.	Compruebe que las baterías estén completamente cargadas. Si es así, lleve la palanca aceleradora a su posición central, apague el scooter y luego vuélvalo a encender.
■■■■■■■ (7)	Error del potenciómetro de velocidad.	Pida ayuda a su proveedor autorizado.
■■■■■■■■ (8)	Error en el voltaje del motor.	Pida ayuda a su proveedor autorizado.
■■■■■■■■■ (9)	Otros errores internos.	Pida ayuda a su proveedor autorizado.

Figura 27. Modellos con consola del manillar

Mi Scooter no se enciende ni funciona

- Compruebe que la llave esté en la posición “on”.
- Compruebe que las baterías estén completamente cargadas.
- Compruebe el botón del disyuntor principal/reinicio. Capítulo II, “Su Scooter.”
- Compruebe que los todo necesario cables estén conectados correctamente.
- Asegúrese de que el temporizador de desconexión no haya sido activado. Capítulo IV, “Funcionamiento”.

VII. RESOLUCIÓN DE PROBLEMAS

CÓDIGO DE FALLAS	PROBLEMA	SOLUCIÓN	MENSAJE DE ERROR
1	Las baterías deben ser cargadas	Recargue las baterías lo antes posible.	N/A
2	Baja tensión; las baterías deben ser cargadas inmediatamente	Recargue las baterías lo antes posible.	BAT Sc
3	Sobretensión	Desenchufe el cargador y/o gire la llave a la posición OFF, y luego de nuevo a la posición ON.	BAT AV
4	Sobrecorriente	Apague el scooter durante unos minutos y luego vuélvalo a encender.	ECCCO
5	Falla del freno de estacionamiento	Saque la llave de la cerradura de contacto, lleve la palanca de modo manual a la posición de conducción (hacia atrás) y vuelva a encender el scooter.	FRE St
6	La palanca aceleradora no estaba en su posición central en el momento del encendido	Compruebe que las baterías estén completamente cargadas. Si es así, lleve la palanca aceleradora a su posición central, apague el scooter y luego vuélvalo a encender.	POT NC
7	Palanca de control del acelerador rota o con fallas	Pida ayuda a su proveedor autorizado.	POT Di
8	Falla del motor	Pida ayuda a su proveedor autorizado.	MOTHS
9	Otra falla	Pida ayuda a su proveedor autorizado.	ALTRO

Figura 28. Modelo 614 con panel de control LCD

¿Qué hago si mi scooter no se mueve al pulsar la palanca aceleradora?

- Cuando la palanca de modo manual está hacia delante, los frenos están desactivados y la energía no llega al conjunto del motor/transeje.
- Para volver a un funcionamiento normal, empuje hacia atrás la palanca manual, apague el scooter y luego vuélvalo a encender.

¿Qué hacer si el disyuntor principal salta repetidamente?

- Si el disyuntor principal interrumpe la corriente a menudo, consulte a su proveedor autorizado.
- Cargue las baterías del scooter con más frecuencia. Capítulo III, “Baterías y su carga”.
- Consulte el capítulo III, “Baterías y su carga” o “Hoja de características del producto” para conocer el tipo de baterías de su scooter.

El indicador de batería cae en picado y el motor hace extraños ruidos cuando pulso la palanca aceleradora

- Cargue completamente las baterías del scooter (III, “Baterías y su carga”).

Si encontrara otro problema que no pudiera resolver, póngase en contacto con su proveedor autorizado para obtener la información, el mantenimiento y el servicio necesarios.

VIII. CUIDADO Y MANTENIMIENTO

Su scooter necesita un cuidado y un mantenimiento mínimos. Si no se siente competente para proporcionar a su scooter los cuidados citados a continuación, pida cita a su proveedor autorizado para que realice un chequeo de inspección y mantenimiento. Deberá realizar revisiones y/o controles periódicos en las siguientes zonas.

PRESIÓN DE LOS NEUMÁTICOS

- Si está equipado con ruedas neumáticas, mantenga en todo momento la presión en psi/bares/kPa indicada en cada rueda.



¡ADVERTENCIA! Es importante mantener en todo momento la presión en psi/bares/kPa indicada en cada rueda neumática. No infle excesivamente ni escasamente las ruedas. Una baja presión neumática puede provocar una pérdida de control, y unos neumáticos demasiado inflados pueden reventar. El incumplimiento de observar en todo momento la presión indicada (psi/bares/kPa) en las ruedas neumáticas podría ocasionar daños en sus ruedas o neumáticos.

- Inspeccione regularmente el desgaste en las ruedas de su scooter.

SUPERFICIES EXTERIORES

Aplique ocasionalmente un acondicionador de caucho o vinilo en los parachoques, neumáticos y molduras.



¡ADVERTENCIA! No aplique el acondicionador de caucho o vinilo en el asiento de vinilo del scooter ni en la rodadura de los neumáticos ya que se volverían peligrosamente resbaladizos.

LIMPIEZA Y DESINFECCIÓN

Se deben tomar precauciones al limpiar equipos / dispositivos para reducir el riesgo de propagación de infecciones. Esto es para limitar la propagación de enfermedades y otros materiales potencialmente infecciosos (OPIM) (componentes sanguíneos).

- Utilice un paño húmedo y suave y un limpiador no abrasivo para limpiar las partes plásticas y de metal del scooter. No use productos que puedan rayar la superficie del scooter.
- En caso necesario, limpie su producto con un desinfectante apropiado. Antes de aplicarlo, asegúrese de que pueda utilizar el desinfectante en su producto.

CÓMO LIMPIAR / DESINFECTAR EL EQUIPO:

SUPERFICIES DURAS/BLANDAS (Cubiertas de plástico, armazón de metal, tela del asiento, neumáticos, apoyabrazos y alfombrillas para los pies, según corresponda)

- Para superficies duras / blandas, elimine la contaminación visible si está presente.
 - Para plástico y metal, use el aerosol / toallitas desinfectantes Lysol®/ Clorox® y otros productos desinfectantes calificados para el SARS-CoV-2.
 - Para otras superficies de vinilo, limpie con toallitas desinfectantes aptas para vinilo o soluciones
 - Desinfectantes sugeridos
 - Desinfectante Birex® SE, Desinfectante Bleach-Rite® Aerosol, Citrace® Germicida
 - Desinfectante limpiador hospitalario en aerosol Dispatch® con blanqueador
 - Solución de lejía diluida (dilución al 10% o menos); Nota: es adecuada la lejía con un factor de pH entre 7 y 9; un producto con un pH de 10,5 o superior puede dañar la integridad de la superficie del vinilo durante un período prolongado período de tiempo



VIII. CUIDADO Y MANTENIMIENTO

- Toallitas desinfectantes
 - Toallitas Clorox, Green Works, PDI Sani-Cloth HB Lysol, Oxivir, Virox y CaviWipes.
- Para la limpieza de llantas, limpie con limpiadores de llantas / ruedas disponibles en el mercado

ELECTRÓNICA (controlador de joystick, pantallas mejoradas, pantallas táctiles, controles remotos, teclados, teléfonos celulares y tabletas, según corresponda)

- Para la electrónica, elimine la contaminación visible si está presente.
 - Apague el dispositivo y desconecte las baterías.
 - Nunca rocíe ningún líquido directamente en el (los) producto(s).
 - Humedezca un paño de microfibra con una mezcla de alcohol isopropílico al 70% / solución de agua al 30%. La tela debe estar húmedo, pero no goteando ni excesivamente mojado. Seque bien las superficies para evitar la acumulación de líquidos y antes de encajonar.

¡ADVERTENCIA! Siga todas las instrucciones de seguridad para el uso adecuado del desinfectante y / o agente de limpieza antes de aplicarlo a su producto. El incumplimiento puede resultar en irritación de la piel o deterioro prematuro de la tapicería y / o acabados de las scooters.

¡ADVERTENCIA! Nunca use ningún agente de limpieza o desinfección, solvente, lubricante o cualquier otro producto en las pastillas de freno, discos de freno, transeje, motor/caja de cambios de su producto de movilidad. Si lo hace, puede dañar los componentes y/o hacer que no funcionen correctamente. Se pueden producir daños a la propiedad y/o lesiones personales.



¡ADVERTENCIA! Nunca lave su scooter con una manguera ni la coloque en contacto directo con el agua. Su scooter tiene una cubierta de plástico ABS pintada que permite limpiarla fácilmente con un paño húmedo

¡ADVERTENCIA! Nunca use productos químicos para limpiar un asiento de vinilo, ya que pueden hacer que el asiento se vuelva resbaladizo o se seque y se agriete. Use agua con jabón y seque bien el asiento.

CONEXIONES DE LOS BORNES DE BATERÍA

- Asegúrese de que las conexiones de los bornes estén tensas y sin corrosión.
- Las baterías deben descansar horizontalmente en su compartimento.
- Los terminales de la batería deben mirar hacia el exterior del scooter.

CABLEADO ELÉCTRICO

- Compruebe regularmente todas las conexiones cableadas.
- Verifique regularmente el aislamiento de los cables, incluido el cable del cargador, para descartar cualquier desgaste o daño.
- Pídale a su proveedor autorizado que repare o cambie los conectores o material aislante dañado antes de volver a utilizar su scooter.



¡PROHIBIDO! Si bien el scooter ha superado todas las pruebas requeridas de resistencia a líquidos, deberá evitar que los componentes eléctricos se humedezcan (exposición directa al agua o fluidos corporales e incontinencia). Verifique los comp. eléctricos y, en caso de encontrar signos de corrosión, sustitúyalos por otros nuevos.



¡ADVERTENCIA! No tire directamente de los cables eléctricos para desconectarlos del scooter. Sujete siempre por el conector del cable para evitar cualquier daño a la hora de desenganchar los cables.

VIII. CUIDADO Y MANTENIMIENTO

CAMBIO DE RUEDAS

Si su scooter tiene ruedas neumáticas y ha pinchado, haga reemplazar la cámara. Consulte a su proveedor autorizado para obtener más información sobre el cambio de ruedas para su scooter.

¡ADVERTENCIA! Las ruedas del scooter únicamente podrán ser mantenidas o reemplazadas por un proveedor autorizado o un técnico cualificado.



¡ADVERTENCIA! Asegúrese de haber quitado la llave de la cerradura de contacto y de que el scooter no esté en modo manual antes de realizar esta acción.

¡ADVERTENCIA! Cuando deba cambiar un neumático, desinflatelo **COMPLETAMENTE** antes de sacarlo del eje porque podría explotar.

Para instalar la rueda de forma rápida y segura, siga estos sencillos pasos:

1. Saque la llave de la cerradura de contacto y asegúrese de que el scooter no esté en modo manual.
2. Levante el lateral del scooter del que vaya a retirar la rueda. Coloque unos bloques de madera bajo la estructura para levantar el scooter.
3. Si va a sustituir el tubo, desinflatelo **completamente** antes de sacarlo del eje.
4. Retire las tuercas de la rueda de accionamiento del eje (fig. 29).
5. Retire la rueda motriz de su eje.
6. Retire los tornillos y separe las mitades de la llanta (fig. 30).
7. Quite la cámara antigua de la cubierta del neumático y reemplácela por una nueva cámara.
8. Vuelva a atornillar las dos llantas.
9. Inserte la rueda nuevamente en el eje.
10. Coloque de nuevo las tuercas de la rueda en el cubo y apriete.



¡ADVERTENCIA! A la hora de colocar una rueda, asegúrese de que la llave del eje esté instalada correctamente en la ranura del eje. La colocación incorrecta de una rueda hará que el sistema de frenos permanezca desactivado, lo que podría ocasionarle lesiones o daños en el producto.

11. Inflatelo las ruedas neumáticas a la presión de aire en psi/bares/kPa indicada en cada rueda.
12. Retire los bloques bajo el scooter.

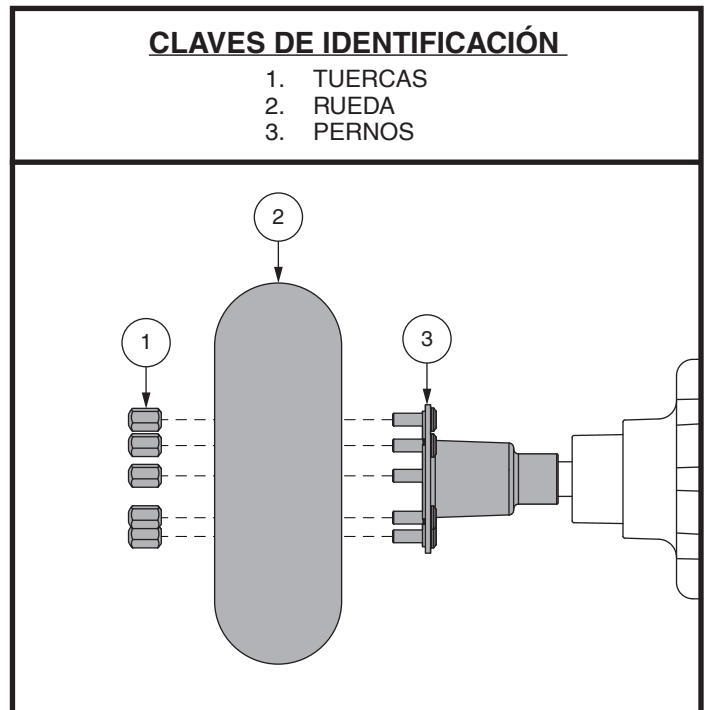


Figura 29. Extracción de la rueda de conducción

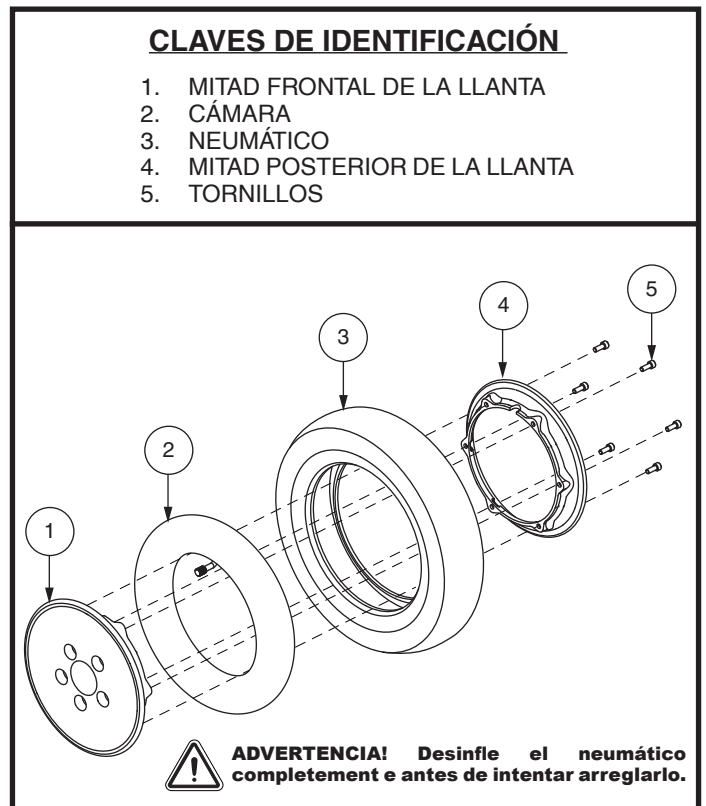


Figura 30. Ruedas neumáticas desmontaje/montaje

VIII. CUIDADO Y MANTENIMIENTO

CONTROLES DIARIOS

- Con la alimentación apagada, compruebe el acelerador. Asegúrese de que no esté torcida o dañada y vuelva a su posición central al soltarla. Compruebe visualmente que la base de caucho de la palanca no se encuentre dañada. No la manipule ni intente repararla. En caso de problemas, consulte con su proveedor autorizado.
- Inspeccione el cable de timón. Asegúrese de que no esté deshilachado, con cortes o cables a la vista. En caso de problemas, consulte con su proveedor autorizado.
- Compruebe que las ruedas macizas no estén abolladas. Las abolladuras pueden afectar a la estabilidad de la silla.
- Compruebe que no haya piezas flojas, puntos de tensión u otros daños en los reposabrazos. En caso de problema, consulte con su proveedor.
- Compruebe los frenos. Esta prueba debe realizarse sobre una superficie llana, con la scooter levantada a unas 36 pulgadas del suelo.

Para comprobar los frenos:

1. Encienda el regulador y ajuste la palanca a la velocidad más baja.
2. Transcurrido un segundo, compruebe el indicador de batería. Asegúrese de que sigue encendido.
3. Halar lentamente el acelerador hacia delante hasta oír el clic de los frenos electromagnéticos. Suelte inmediatamente el acelerador. Oirá el accionamiento de los frenos unos segundos después del movimiento de la palanca. Repetir esta prueba tirando de la válvula reguladora en la dirección opuesta.

CONTROLES SEMANALES

- Desconecte el mando y el cable del cargador del panel eléctrico e inspecciónelos. Compruebe que no haya corrosión. Compruebe que no haya corrosión. Contacte con su proveedor autorizado en caso necesario.
- Compruebe que el inflado de los neumáticos sea el correcto, Si están equipados con neumáticos. Si las ruedas no retienen el aire, póngase en contacto con su proveedor para que le cambien la cámara.

CONTROLES MENSUALES

- Compruebe que las ruedas antivuelco no rozan el suelo cuando está manejando la silla.
- Compruebe el nivel de desgaste de las ruedas antivuelco y reemplácelas si es necesario.
- Compruebe el desgaste de las ruedas motrices. En caso necesario, consulte con su proveedor autorizado.
- Mantenga su scooter limpio y libre de objetos extraños como barro, pelos, comida o bebida.

CONTROLES ANUALES

Diríjase a su proveedor autorizado para efectuar las revisiones anuales. Así, tendrá la seguridad de que su Scooter sigue funcionando correctamente, además de prevenir posibles complicaciones.

CARROCERÍA DE PLÁSTICO ABS

Si su Scooter tiene un protector de carrocería con un **acabado brillante**, el protector de carrocería ha sido rociado con un recubrimiento sellador claro. Puede aplicar un recubrimiento ligero de cera para automóvil para ayudar a retener su apariencia brillante. Si su Scooter tiene un protector de carrocería con un **acabado mate**, use **SOLO** productos desarrollados para pinturas con acabado mate. No use cera, spray para detalles, ArmorAll®, ni ningún otro producto hecho para pinturas brillantes.



¡ADVERTENCIA! Escoja cuidadosamente el producto correcto para proteger el acabado del(los) protector(es) de su Scooter. En los protectores con un acabado mate, SÓLO deben usarse productos desarrollados para pintura con acabado mate. No tomar en cuenta esta advertencia puede tener como consecuencia un daño en el acabado mate de la pintura del protector.

COJINETES DEL EJE Y CONJUNTO MOTOR/TRANSEJE

Estos elementos vienen prelubricados y sellados, y no necesitan más lubricación.

ESCOBILLAS DE MOTOR

Las escobillas de motor están situadas dentro del conjunto de motor y transeje. Su proveedor autorizado deberá revisarlas periódicamente para suplir posibles desgastes.

VIII. CUIDADO Y MANTENIMIENTO

CONSOLA, CARGADOR/SIST. ELÉCTRICO

- Mantenga siempre estas zonas sin humedad.
- Si alguno de estos componentes se humedeciera, déjelo secar completamente antes de volver a utilizar su scooter.

PASTILLAS DE FRENO

Las pastillas de freno de su scooter deben ser inspeccionadas periódicamente para controlar su desgaste. Una vez que las pastillas alcanzan un espesor de 2 mm o 1/16 de pulgada, deben ser reemplazadas. Si cualquier pastilla de freno debe ser reemplazada, es mejor reemplazar todas las pastillas de freno al mismo tiempo. Contacte a su proveedor autorizado para obtener más información sobre el reemplazo de las pastillas de freno.

CAMBIO DE FUSIBLES

En caso de que un fusible dejara de funcionar:

1. Retire el fusible, extrayéndolo de su ranura.
2. Examine el fusible para comprobar si está fundido (fig. 31).
3. Coloque un nuevo fusible del tipo y características apropiadas.



¡ADVERTENCIA! El nuevo fusible debe ser del mismo tipo y características que el anterior. De lo contrario, podría provocar daños en el sistema eléctrico.

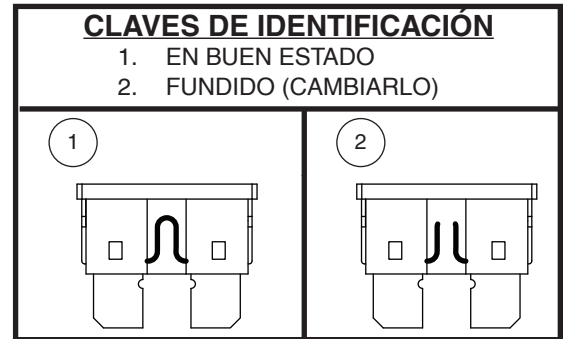


Figura 31. Cambio de fusible

CAMBIO DE LAS CONTRATUERCAS DE NYLON

Toda contratuerca de nylon que haya sido retirada con motivo del mantenimiento periódico, el montaje o desmontaje del scooter, deberá ser reemplazada por una nueva. Las contratuercas de nylon no pueden volver a utilizarse ya que se dañaría la inserción de nylon, provocando un ajuste menos seguro. Dispone de contratuercas de nylon de recambio en su ferretería local o puede conseguirlas a través de su proveedor autorizado.

ALMACENAMIENTO

Si planea no utilizar su scooter por un periodo largo de tiempo, le aconsejamos que:

- Antes de guardar su scooter, cargue completamente las baterías.
- Desconecte las baterías del scooter.
- Guarde el scooter en ambiente cálido y seco.
- Evite guardar el scooter en lugares sujetos a temperaturas extremas.
- Aunque su scooter puede soportar temperaturas de almacenamiento a corto plazo entre -40°F (-40°C) y 149°F (65°C), se recomienda que las temperaturas de almacenamiento a largo plazo estén entre -13°F (-25°C) y 122°F (50°C). Las condiciones ideales de almacenamiento son 68°F (20°C) a 70°F (21°C) siempre que sea posible, pero sabemos que no siempre es factible debido a los diferentes climas y entornos.



¡ADVERTENCIA! Proteja siempre las baterías de temperaturas heladas y nunca cargue una batería congelada. El cargado de una batería congelada puede provocar daños en la batería.

Las baterías que se dejan descargar con frecuencia, no se cargan con regularidad, se guardan bajo temperaturas extremas o antes de haberlas recargado completamente pueden dañarse de forma permanente, afectando al funcionamiento del producto y limitando la vida de las mismas. Aunque guarde el scooter durante largos periodos de tiempo, nosotros recomendamos cargar las baterías periódicamente para garantizar un rendimiento óptimo.

Si va a guardar el scooter durante un largo tiempo, coloque varios cartones bajo la estructura del vehículo para levantarlo del suelo. Así, las ruedas no tienen que soportar todo el peso y se reduce el riesgo de abolladuras en las zonas de los neumáticos en contacto con el suelo.

VIII. CUIDADO Y MANTENIMIENTO

ELIMINACIÓN Y RECICLAJE DEL SCOOTER

Para deshacerse de su scooter deberá tener en cuenta la normativa aplicable en su país. Póngase en contacto con la agencia local de eliminación de residuos o con su proveedor autorizado para saber cómo deshacerse correctamente del paquete, los componentes metálicos y plásticos, el sistema electrónico, las baterías, así como los materiales de neopreno, silicona y poliuretano.



¡ADVERTENCIA! Las bolsas de plástico son un peligro de asfixia. Deseche las bolsas de plástico adecuadamente y no permita que los niños jueguen con ellas.

NOTAS

Please fill out the following information for quick reference:

S.V.P. veuillez compléter les informations ci dessous:

Por favor, rellene la siguiente información para tener siempre a mano:

Provider:

Détaillant:

Proveedor: _____

Address:

Adresse:

Dirección: _____

Telephone:

Téléphone:

Número de teléfono: _____

Purchase Date:

Date d'achat:

Fecha de compra: _____

Serial #/série #/serie #



UDI Label (if applicable)

UDI Étiquette (le cas échéant)

UDI Etiqueta (si es aplicable)